

THE WILSON GROUP

PO BOX 6510
 CHARLOTTE, NC 28299
 (704) 331-9747

CIVIL ENGINEER
TALBERT, BRIGHT & ELLINGTON
 3525 WHITEHALL PARK DRIVE, SUITE 210
 CHARLOTTE, NC 28273
 (704) 426-6070 FIRM NO. C-1163

STRUCTURAL ENGINEER
STEWART
 101 N. TRYON ST., SUITE 1400
 CHARLOTTE, NC 28202
 (704) 334-3523 FIRM NO. C-1051

MECHANICAL, ELECTRICAL, PLUMBING,
 AND FIRE PROTECTION ENGINEER
SABER ENGINEERING
 2923 S. TRYON ST., SUITE 280
 CHARLOTTE, NC 28203
 (704) 373-0066 FIRM NO. C-2138

LANDSCAPE ARCHITECT
URBAN DESIGN PARTNERS
 1318-EE CENTRAL AVENUE
 CHARLOTTE, NC 28205
 (704) 334-3303 FIRM NO. C-TBD

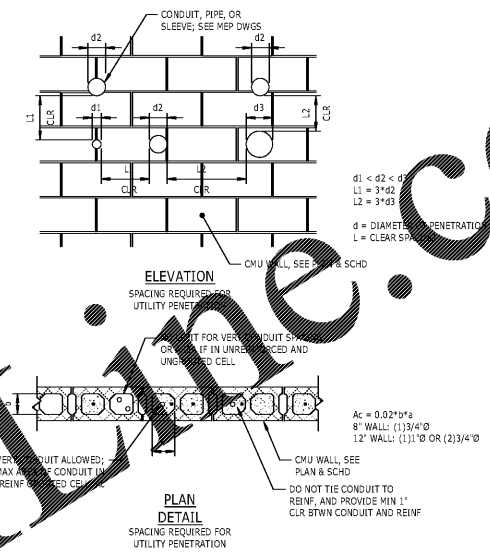
COMMUNICATIONS INFRASTRUCTURE
DB CONSULTING
 246 LOVES FARM ROAD
 BLACKSBURG, VA 22702
 (704) 497-7228 FIRM NO. C-TBD

REVISIONS

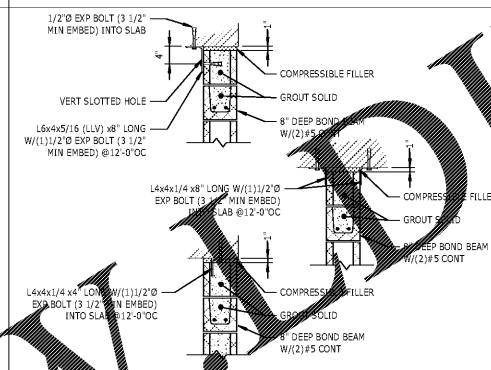
DATE: DECEMBER 7, 2018
 PROJECT NUMBER: 9197-000

SHEET TITLE:
CMU DETAILS

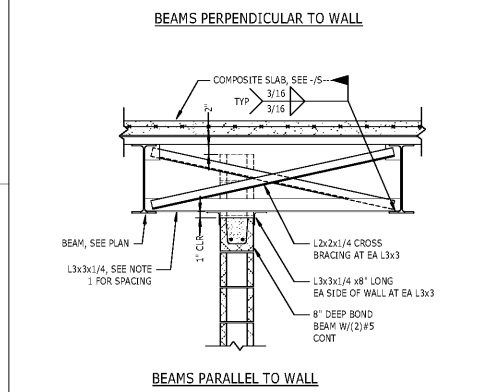
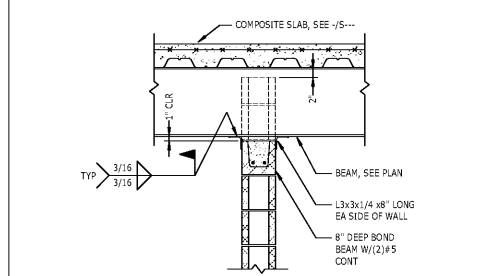
SHEET NUMBER:
S-402



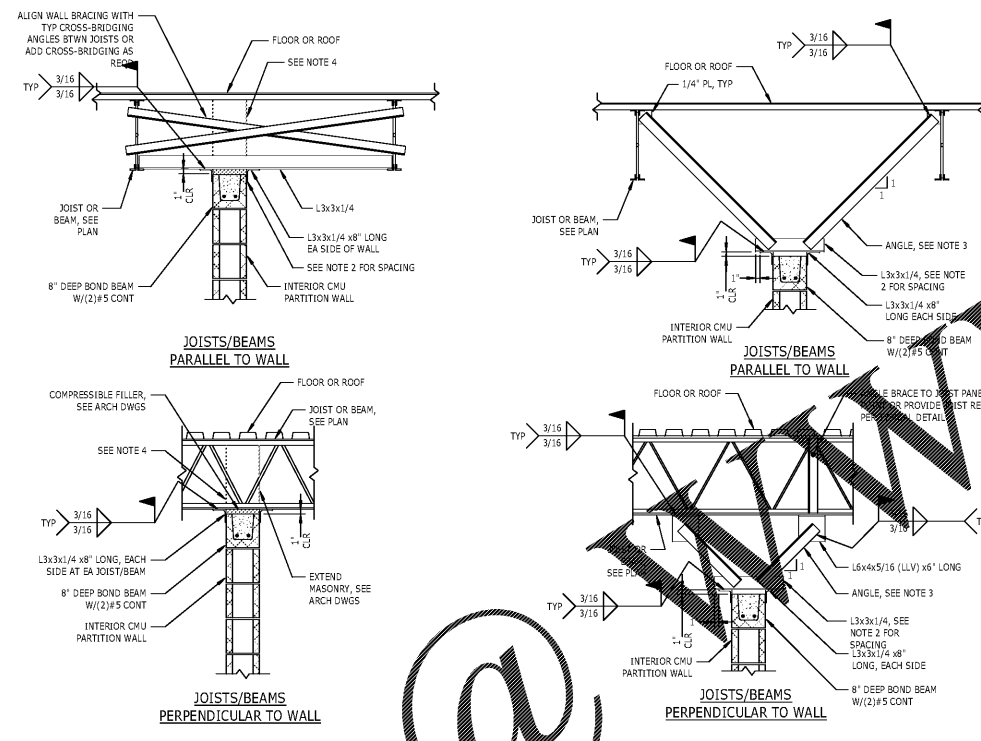
1 DETAIL
 5-402
 CONDUIT PENETRATIONS IN CMU WALL
 NTS
 NOTES:
 1. REFER TO MEP DRAWINGS FOR ALL TELECOM, CONDUIT, AND PIPES 8"Ø AND SMALLER. CONTRACTOR TO FOLLOW DETAIL SPACING REQUIREMENTS FOR LAYOUT. IF SPACING CANNOT BE MAINTAINED, PENETRATIONS MUST BE GROUPED BELOW CMU LINTEL. SEE ADDITIONAL TYPICAL DETAILS.
 2. CONDUITS SHALL NOT PENETRATE BOND BEAMS NOR LINTELS.
 3. PIPES WITH LIQUID, GAS, OR VAPORS HIGHER THAN 150°F ARE NOT PERMITTED VERTICALLY WITHIN WALLS.
 4. PIPES WITH PRESSURE IN EXCESS OF 55 PSI ARE NOT PERMITTED VERTICALLY WITHIN WALLS.
 5. PIPES WITH WATER OR LIQUID SUBJECT TO FREEZING ARE NOT PERMITTED VERTICALLY WITHIN WALLS.



4 DETAIL
 5-402
 TYPICAL INTERIOR PARTITION BRACING
 NTS
 NOTES:
 1. THIS DETAIL APPLIES WHERE THE DISTANCE BETWEEN INTERSECTING WALLS EXCEEDS 24'-0" FOR 8" CMU OR LARGER, 18'-0" FOR 6" CMU, OR 12'-0" FOR 4" CMU.



5 DETAIL
 5-402
 TYPICAL INTERIOR PARTITION BRACING AT ELEVATED SLAB
 NTS
 NOTES:
 1. THIS DETAIL APPLIES WHERE THE DISTANCE BETWEEN INTERSECTING WALLS EXCEEDS 24'-0" FOR 8" CMU OR LARGER, 18'-0" FOR 6" CMU, OR 12'-0" FOR 4" CMU.



7 DETAIL
 5-402
 TYPICAL INTERIOR PARTITION BRACING
 NTS
 NOTES:
 1. THIS DETAIL APPLIES WHERE THE DISTANCE BETWEEN INTERSECTING WALLS EXCEEDS 24'-0" FOR 8" CMU OR LARGER, 18'-0" FOR 6" CMU, OR 12'-0" FOR 4" CMU.
 2. BRACE ANGLE BRACES AT 12'-0" OC, MAXIMUM.
 3. USE 1.2x2x1/4 FOR LENGTHS LESS THAN 6'-0", 1.3x3x1/4 FOR LENGTHS BETWEEN 6'-0" AND 9'-0" AND 1.4x4x1/4 FOR LENGTHS BETWEEN 9'-0" AND 12'-0".
 4. SEE ARCHITECTURAL DRAWINGS FOR TOP OF WALL ELEVATIONS.

Order Plans @