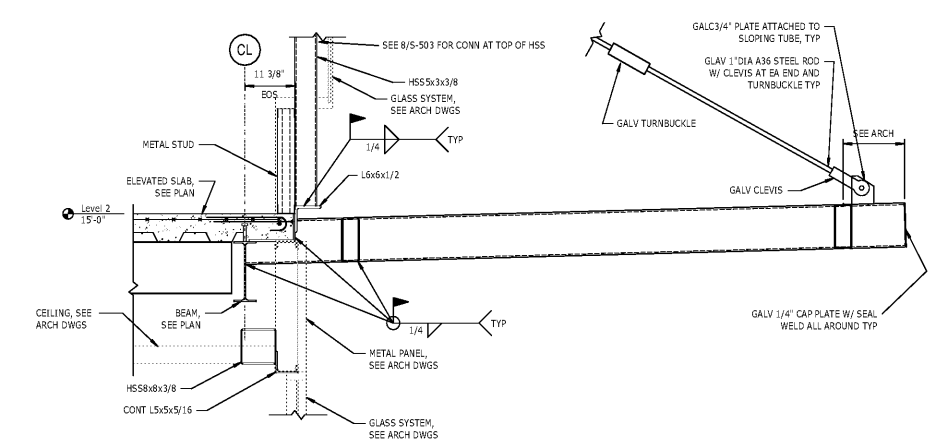
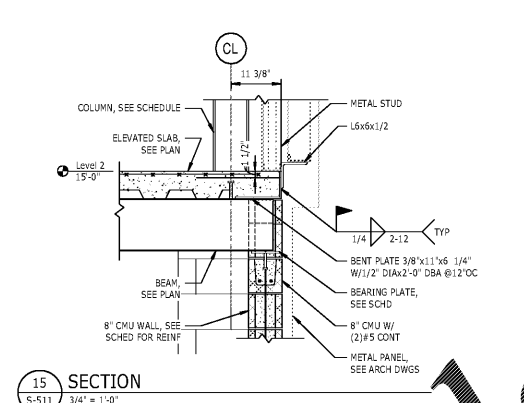


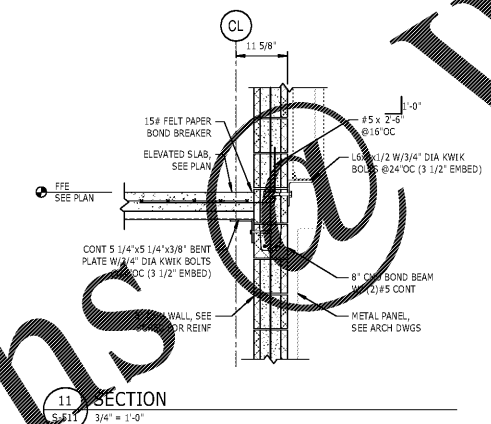
9 SECTION  
S-511 3/4" = 1'-0"



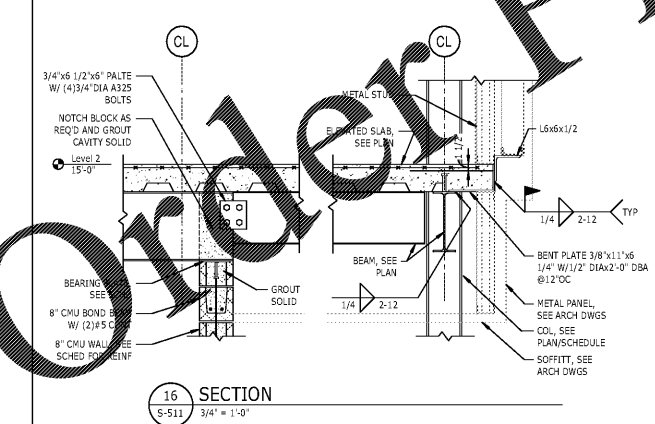
10 SECTION  
S-511 3/4" = 1'-0"



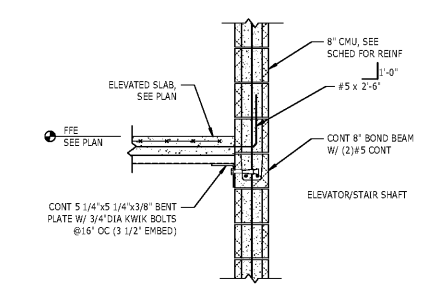
15 SECTION  
S-511 3/4" = 1'-0"



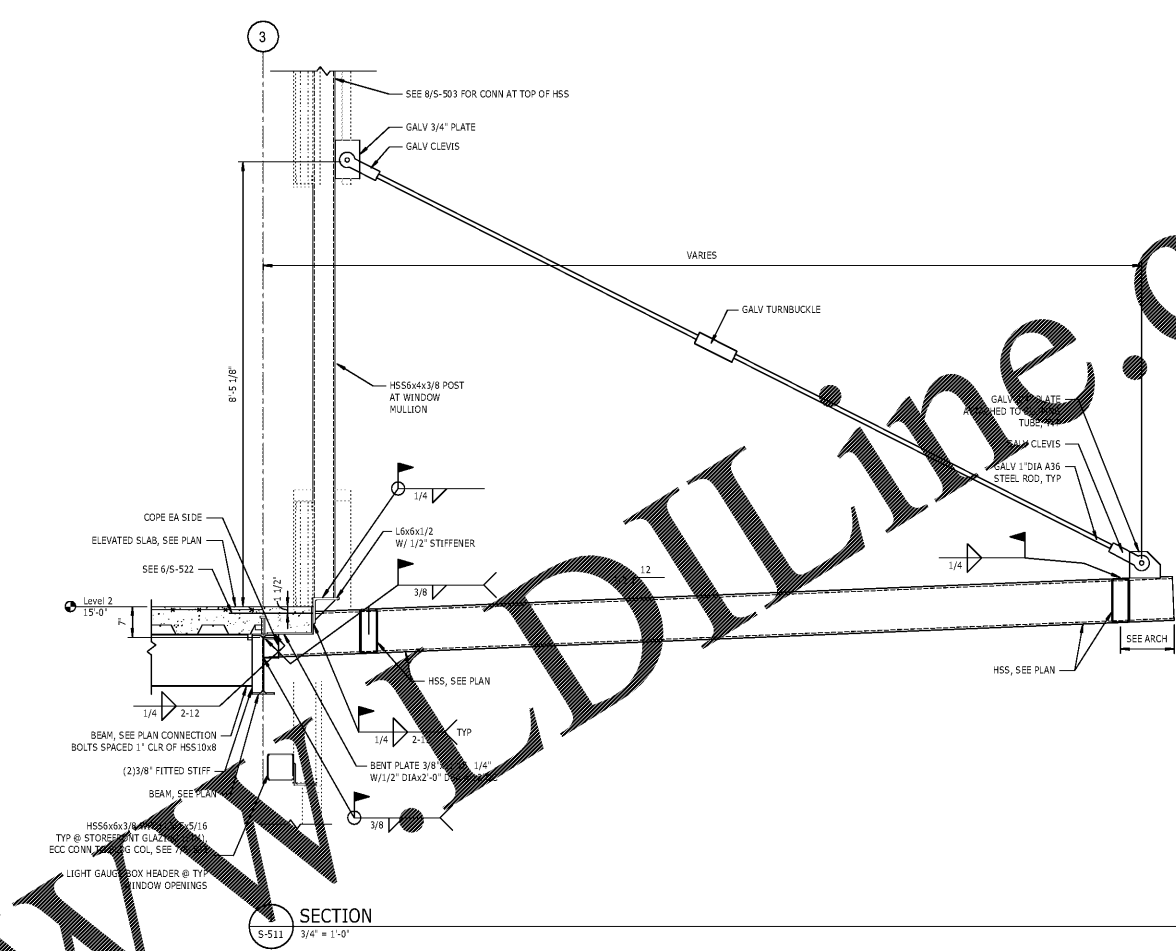
11 SECTION  
S-511 3/4" = 1'-0"



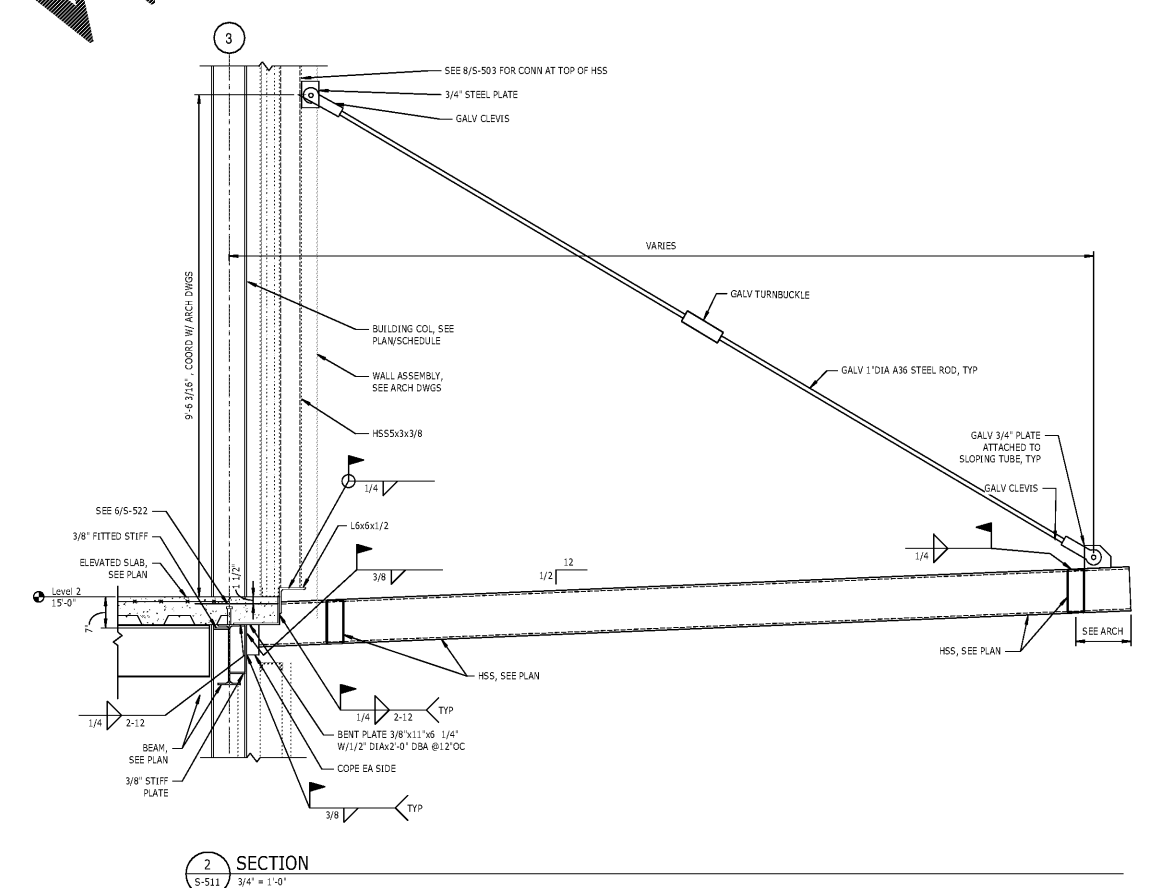
16 SECTION  
S-511 3/4" = 1'-0"



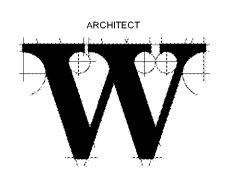
12 SECTION  
S-511 3/4" = 1'-0"



3 SECTION  
S-511 3/4" = 1'-0"



2 SECTION  
S-511 3/4" = 1'-0"



THE WILSON GROUP  
PO BOX 6510  
CHARLOTTE, NC 28299  
(704) 331-9747

CIVIL ENGINEER  
TALBERT, BRIGHT & ELLINGTON  
3625 WHITEHALL PARK DRIVE, SUITE 210  
CHARLOTTE, NC 28273  
(704) 426-6070 FIRM NO. C-1163

STRUCTURAL ENGINEER  
STEWART  
101 N. TRYON ST., SUITE 1400  
CHARLOTTE, NC 28203  
(704) 334-3623 FIRM NO. C-1051

MECHANICAL, ELECTRICAL, PLUMBING,  
AND FIRE PROTECTION ENGINEER  
SABER ENGINEERING  
2923 S. TRYON ST., SUITE 280  
CHARLOTTE, NC 28203  
(704) 373-0069 FIRM NO. C-2138

LANDSCAPE ARCHITECT  
URBAN DESIGN PARTNERS  
1318 E. CENTRAL AVENUE  
CHARLOTTE, NC 28202  
(704) 334-3303 FIRM NO. C-TBD

COMMUNICATIONS INFRASTRUCTURE  
CONSULTING  
DB CONSULTING  
246 LIVES FARM ROAD  
BLACKSBURG, SC 29702  
(704) 497-7228 FIRM NO. C-TBD

REVISIONS

DATE: DECEMBER 7, 2018  
PROJECT NUMBER: 9197-000

SHEET TITLE:  
FLOOR FRAMING SECTIONS

SHEET NUMBER:  
S-511