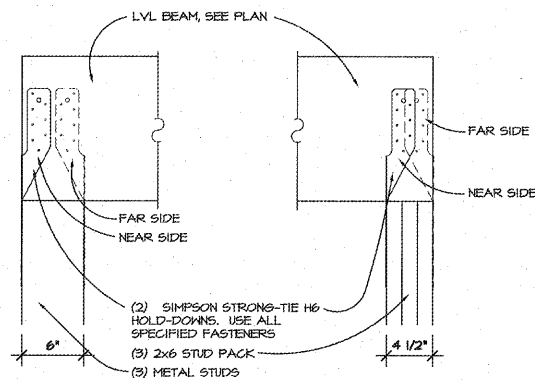
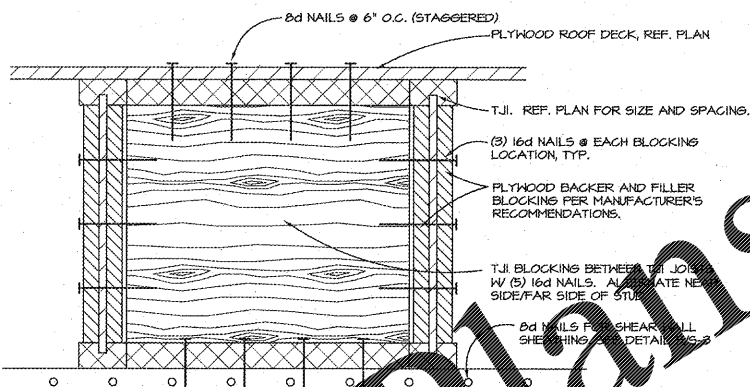


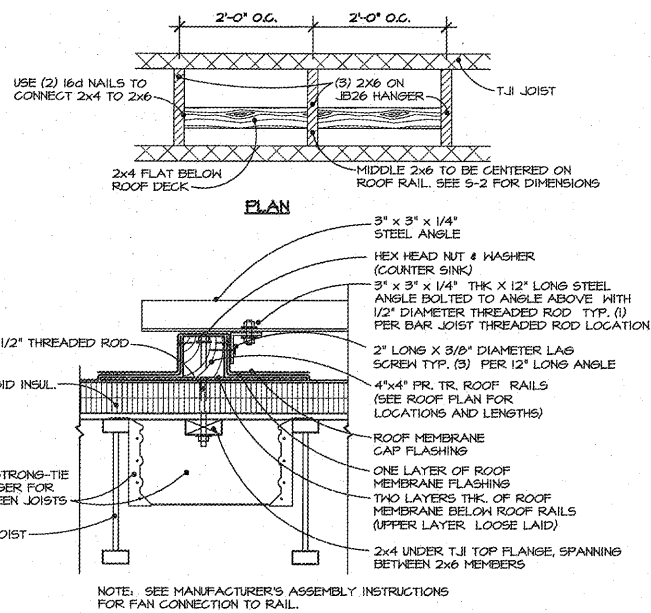
7 HOOD SUSPENSION DETAIL
SCALE: 3" = 1'-0"



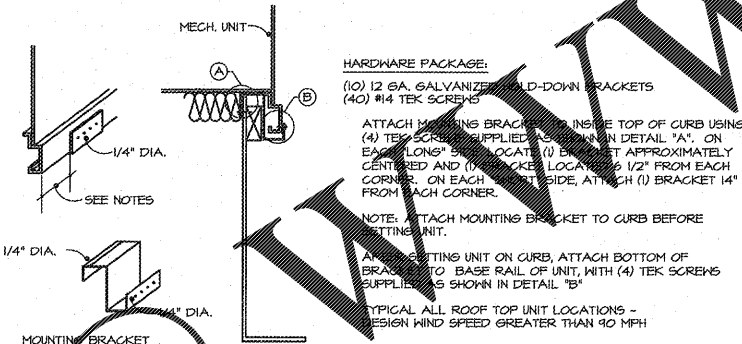
8 BEAM END @ GRID B
SCALE: 1/2" = 1'-0"



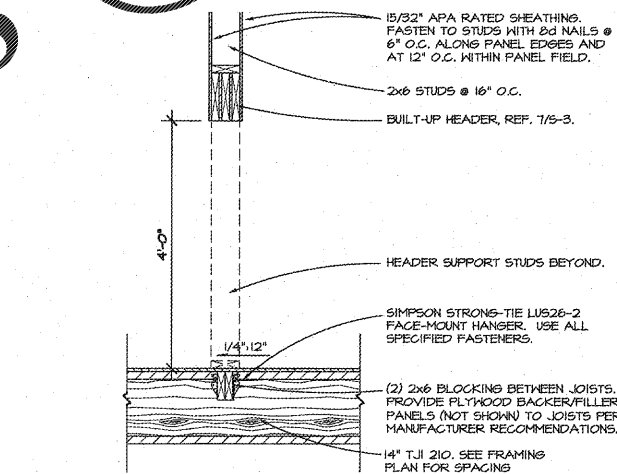
9 SECTION @ SHEAR WALL
SCALE: 3" = 1'-0"



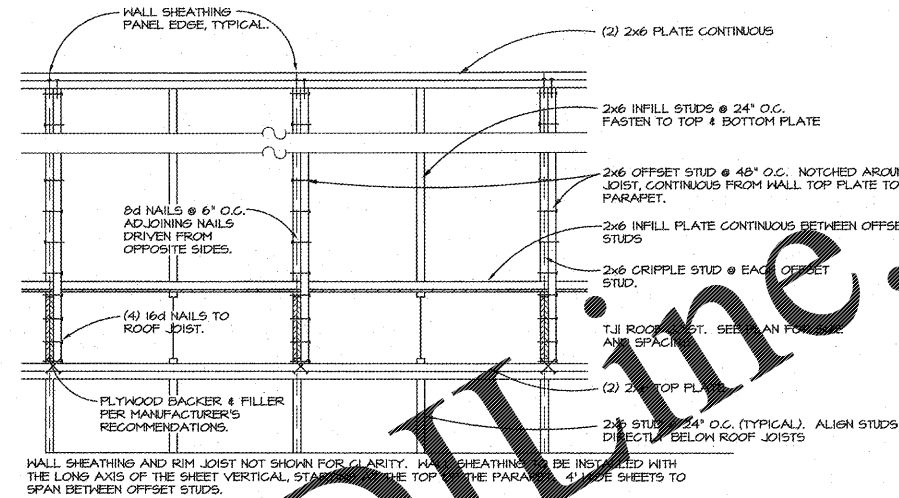
4 ROOF TOP RAIL FOR EQUIPMENT
SCALE: 1/2" = 1'-0"



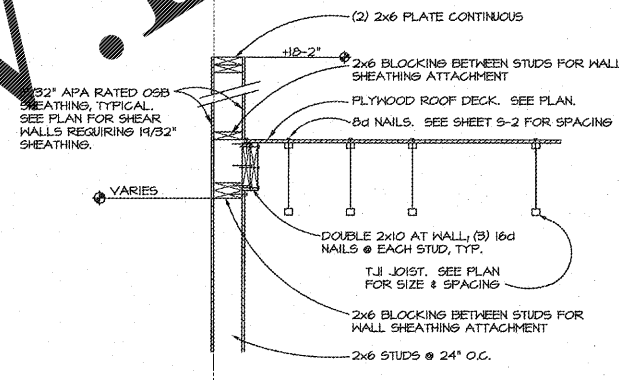
5 ROOF CURB DETAIL
SCALE: 1/2" = 1'-0"



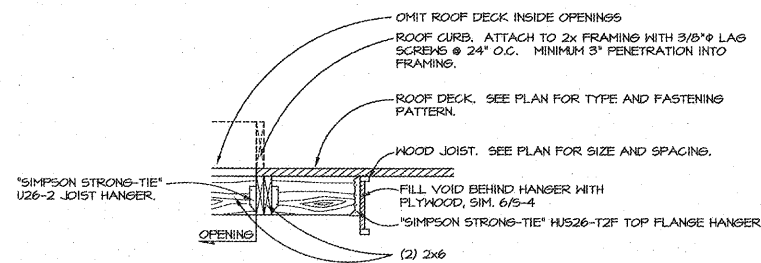
6 TOWER REAR WALL SECTION
SCALE: 3/4" = 1'-0"



1 OFFSET STUD DETAIL
SCALE: 3/4" = 1'-0"

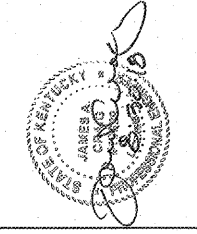


2 WALL SECTION
SCALE: 3/4" = 1'-0"

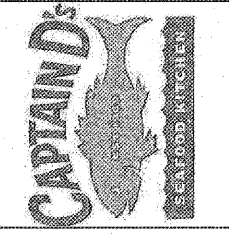


3 ROOF OPENING DETAIL
SCALE: 1/2" = 1'-0"

DESIGN and ENGINEERING
DONDE INC.
STRUCTURAL AND CIVIL ENGINEERS
105 W. White Castle
Cape Girardeau, Missouri 63707
616-770-1119 fax: 370-9108
www.dondeinc.us



A NEW LOCATION FOR
CAPTAIN D'S
15744 FORT CAMPBELL BLVD.
OAK GROVE, KY 42262
QUALITY SEAFOOD, LLC
625 FIDECREST LANE
LEBANON, TN 37087



Job Number:
68F-0056
Revisions:

AUGUST 28, 2018
S-4
STRUCTURAL DETAILS
CDPL-44E-18-14

Order Plans

WWW.LDLINE.COM

BID / VENDOR SET