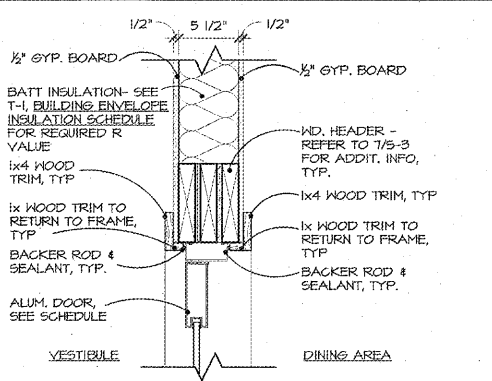
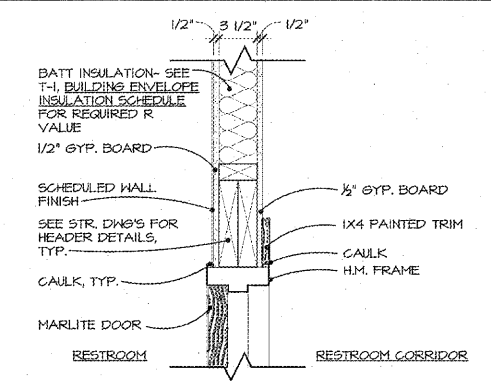


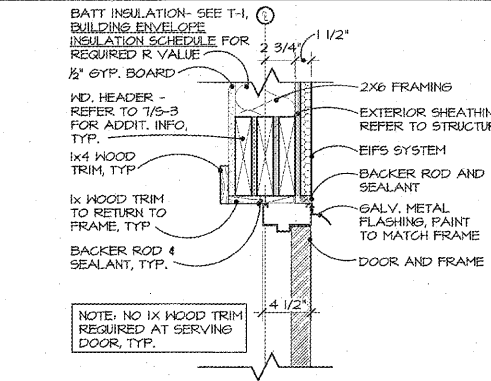
1 HEAD DETAIL
SCALE 1/2" = 1'-0"



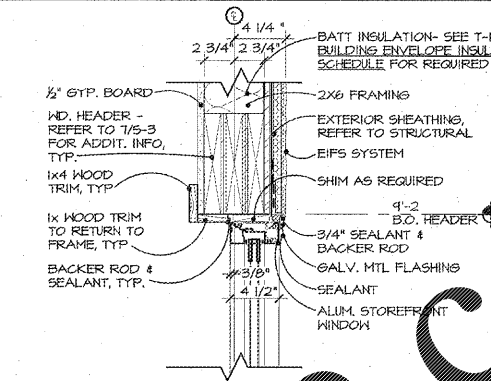
2 HEAD DETAIL
SCALE 1/2" = 1'-0"



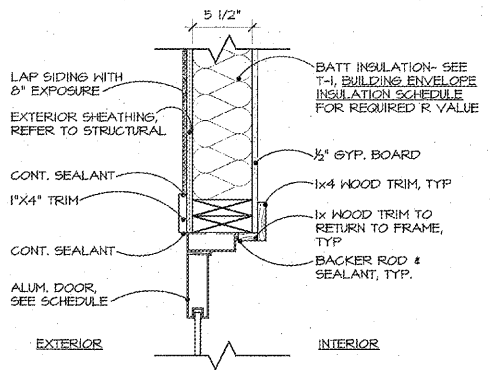
3 HEAD DETAIL
SCALE 1/2" = 1'-0"



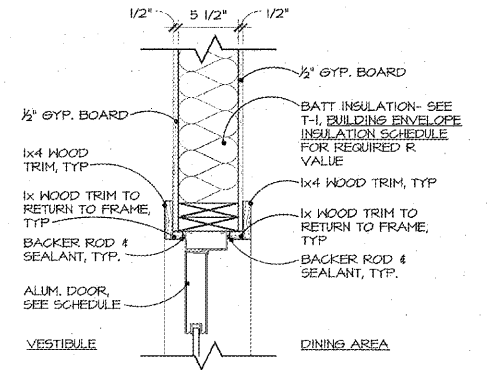
4 HEAD DETAIL
SCALE 1/2" = 1'-0"



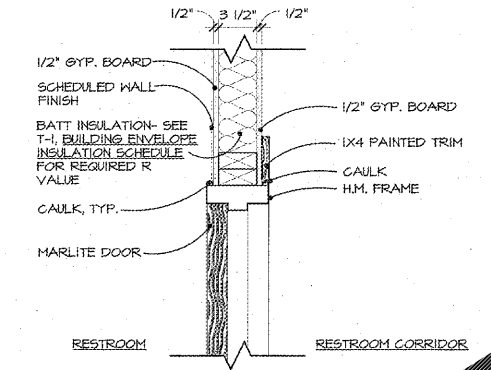
5 HEAD DETAIL
SCALE 1/2" = 1'-0"



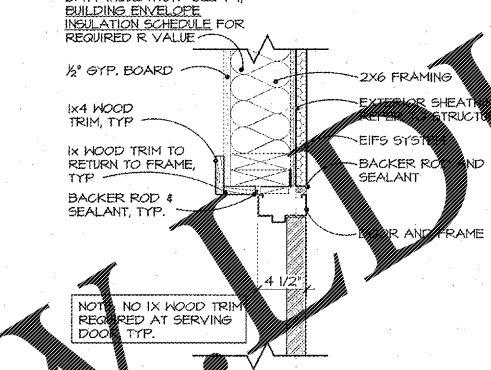
6 JAMB DETAIL
SCALE 1/2" = 1'-0"



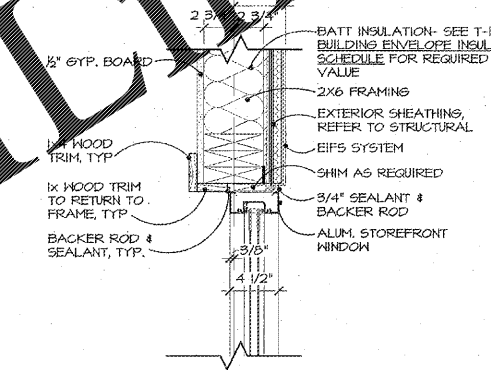
7 JAMB DETAIL
SCALE 1/2" = 1'-0"



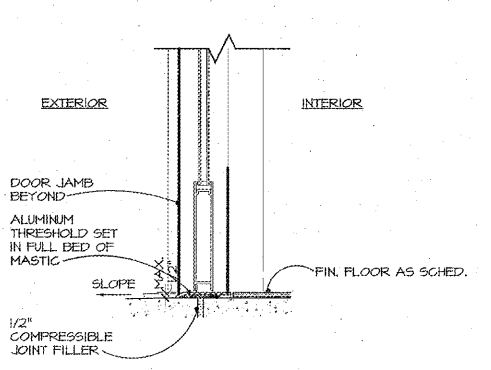
8 JAMB DETAIL
SCALE 1/2" = 1'-0"



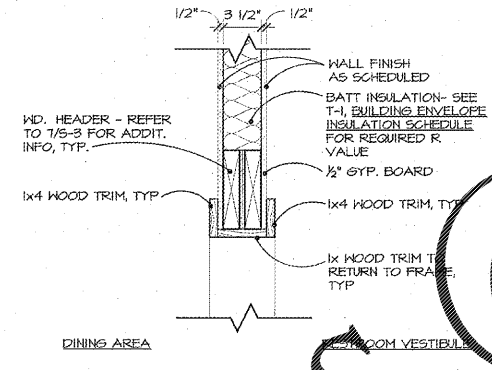
9 JAMB DETAIL
SCALE 1/2" = 1'-0"



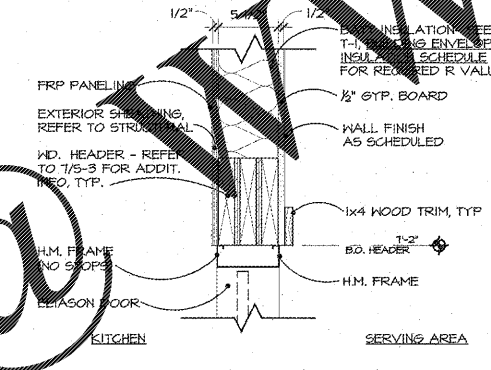
10 JAMB DETAIL
SCALE 1/2" = 1'-0"



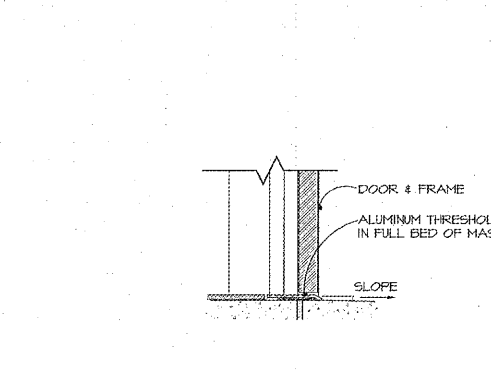
11 THRESHOLD DETAIL
SCALE 1/2" = 1'-0"



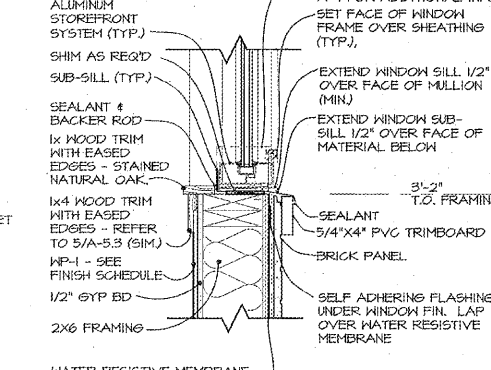
12 HEAD/JAMB DETAIL
SCALE 1/2" = 1'-0"



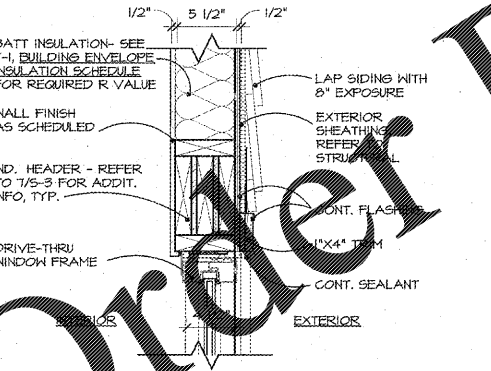
13 HEAD/JAMB DETAIL
SCALE 1/2" = 1'-0"



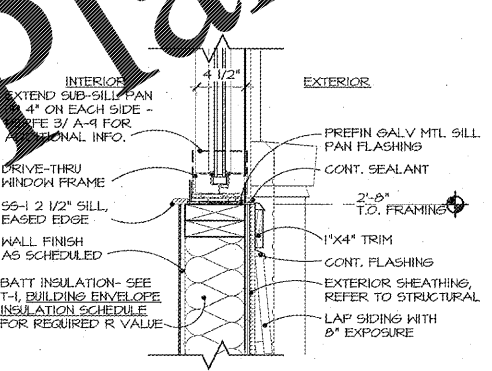
14 THRESHOLD DETAIL
SCALE 1/2" = 1'-0"



15 SILL DETAIL
SCALE 1/2" = 1'-0"

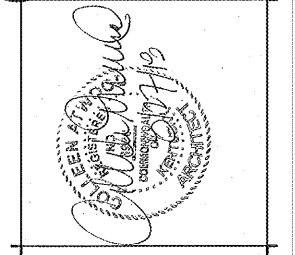


16 HEAD DETAIL
SCALE 1/2" = 1'-0"



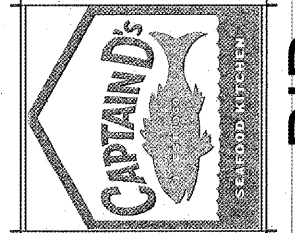
17 DRIVE THRU SILL DETAIL
SCALE 1/2" = 1'-0"

DESIGN and ENGINEERING
DANDE INC. ARCHITECTS
STRUCTURAL AND MECHANICAL ENGINEERS
200 West 15th Street
Baltimore, MD 21202
370-1100
www.dandainc.us



A NEW LOCATION FOR
CAPTAIN D'S
15744 FORT CAMPBELL BLVD.
OAK GROVE, KY 42202

QUALITY SEAFOOD, LLC
625 FIDGECREST LANE
LEBANON, TN 37087



Job Number:
68F-0056

Revisions:

AUGUST 28, 2018
A-11.1
DOOR & WINDOW DTL'S
CDPL-44E-18-14

Order Plans @ www.pdfline.com

BID / VENDOR SET