

ELECTRICAL PANEL SCHEDULE

PANEL: A SERVICE: 120/208V, 3P, 4W + GND FEEDERS: SEE ONE LINE DIAGRAM
PANEL TYPE: SQ-D "NOOD" OR EQUAL BUS RATING: 200 A M.L.O. MOUNTING: NEMA-1 RECESSED

LOAD DESCRIPTION	NOTE	LOAD VOLT-AMP	WIRE	CB/P	A B C	CB/P	WIRE	LOAD VOLT-AMP	NOTE	LOAD DESCRIPTION
AREA LIGHTS	**	1080	10	20/2	1	2	20/1	12	750	DINING RM. LIGHTS
AREA LIGHTS	**	1080	10	20/2	3	4	20/1	12	810	DINING RM. LIGHTS
AREA LIGHTS	**	1080	10	20/2	5	6	20/1	12	1500	KITCHEN AREA LIGHTS
AREA LIGHTS	**	1080	10	20/2	7	8	20/1	12	720	OCU / CREDIT CARD SWIPE
AREA LIGHTS	**	1080	10	20/2	9	10	20/1	12	900	DINING MENU BOARD
AREA LIGHTS	**	1200	12	20/1	11	12	20/1	12	400	RESTROOM LIGHTS/EF-2
AREA LIGHTS	**	720	12	20/1	13	14	20/1	12	720	DIRECTIONAL SIGNS
AREA LIGHTS	**	600	12	20/1	15	16	20/1	12	1320	KITCHEN/SERVICE/OFFICE LIGHTS
AREA LIGHTS	**	1200	12	20/1	17	18	20/1	12	360	SMOKE DET. ALARM PANEL
AREA LIGHTS	**	240	10	20/1	19	20	20/1	12	660	DINING RECEPTACLE
AREA LIGHTS	**	1200	12	20/1	21	22	20/1	12	720	EMS PANEL
AREA LIGHTS	**	1200	12	20/1	23	24	20/1	12	1550	EXTERIOR BUILDING LIGHTS **
AREA LIGHTS	**	1200	12	20/1	25	26	20/1	12	180	TELEPHONE REC.
AREA LIGHTS	**	1475	12	20/1	27	28	20/1	12		SPARE
AREA LIGHTS	**	400	12	20/1	29	30	20/1	12	360	GFCI KITCHEN RECEPTACLES
AREA LIGHTS	**	720	12	20/1	31	32	20/2	12	1080	AREA LIGHTS **
AREA LIGHTS	**	360	12	20/1	33	34	20/1	12	1080	
AREA LIGHTS	**	540	12	20/1	35	36	20/1	12	720	OFFICE RECEPTACLES
AREA LIGHTS	**	1200	12	20/1	37	38	20/2	12	700	SEWAGE PUMPING STATION
AREA LIGHTS	**	540	12	20/1	39	40	20/1	12	700	
AREA LIGHTS	**	1200	12	20/1	41	42	20/1	12	300	SAFE #970

TOTAL CONNECTED LOAD: 38,290 VA **PHASE 'A':** 13200 VA **PHASE 'B':** 13805 VA **PHASE 'C':** 11285 VA
TOTAL CONNECTED AMPS: 106 AMP

NOTES: (TC) = WIRE THROUGH CONTACTOR. (HACR) = HACR TYPE BREAKER. (LO) = LOCKED BREAKER. (GFCI) = GROUND FAULT CIRCUIT INTERRUPTER. (IG) = WIRE SEPARATE TO ISOLATED GROUND BUS.

PANEL 'A' NOTES:
 1. ** ELECTRICAL CONTRACTOR TO WIRE THESE CIRCUITS THRU MASTER CONTACTOR PANEL. REFERENCE WIRING DIAGRAMS SHEET E-5.
 2. ALL BREAKERS SHALL BE RATED FOR SWITCHING DUTY.
 3. ** VERIFY CIRCUIT REQUIREMENTS FOR PYLON SIGN.
 4. *** ZONES A & B ONLY. COORDINATE WITH HVAC.

ELECTRICAL PANEL SCHEDULE

PANEL: B SERVICE: 120/208V, 3P, 4W + GND FEEDERS: SEE ONE LINE DIAGRAM
PANEL TYPE: SQ-D "NOOD" OR EQUAL BUS RATING: 200 AMP M.L.O. MOUNTING: NEMA-1 RECESSED

LOAD DESCRIPTION	NOTE	LOAD VOLT-AMP	WIRE	CB/P	A B C	CB/P	WIRE	LOAD VOLT-AMP	NOTE	LOAD DESCRIPTION
SELF-SERVE DRINK DISPENSER #10		600	12	20/1	1	2	20/1	12		SPARE
P.O.S. RECEPTACLES GFCI	IG/LO	1320	12	20/1	3	4	20/1	12	360	PRODUCT HOLDING FREEZER
P.O.S. RECEPTACLES GFCI	IG/LO	1320	12	20/1	5	6	20/1	12		SPARE
DRIVE-THRU DRINK DISPENSER #11		600	12	20/1	7	8	20/1	12	300	BUG LIGHTS
REAR DOOR BUZZER		720	12	20/1	9	10	20/1	12		SPARE
DOOR ALARM		720	12	20/1	11	12	30/1	12	2400	FRY HOLD STATION #30
SPARE					13	14	20/1	12	700	MEAT FREEZER #25
SERVICE CIR/D.T. RECEPT.		576	12	20/1	15	16	20/1	12	700	REACH-IN FREEZER
P.O.S. RECEPTACLES	IG/LO	800	12	20/1	17	18	20/1	12	420	SMOOTHIE STATION SPARE RECEPT.
SPARE					19	20	20/2	12	1300	HACR ICE MACHINE #916
COFFEE/TEA BREWER #17		1820	12	20/2	21	22	20/1	12	1300	
GREASE STORAGE UNIT #31B		1820	12	20/1	23	24	20/1	12	1344	FRYER CONTROLS #31 **
WATER BOOSTER #10		500	12	20/1	25	26	20/1	12	400	ORDER ASSEMBLY CART
SPARE		1428	12	20/1	27	28	20/1	12	1400	BLENDER
SPARE					29	30	20/2	12	1650	PRODUCT HOLDING UNIT #51
SPARE					31	32	20/1	12	1650	
SPARE					33	34	20/3	12	832	COMBINATION FREEZER
SPARE					35	36	20/1	12	832	
SPARE					37	38	20/1	12	832	
SPARE					39	40	20/1	12		SPARE
SPARE					41	42	20/1	12		SPARE

TOTAL CONNECTED LOAD: 45,472 VA **PHASE 'A':** 14206 VA **PHASE 'B':** 15918 VA **PHASE 'C':** 15348 VA
TOTAL CONNECTED AMPS: 131 AMP

NOTES: (TC) = WIRE THROUGH CONTACTOR. (HACR) = HACR TYPE BREAKER. (LO) = LOCKED BREAKER. (GFCI) = GROUND FAULT CIRCUIT INTERRUPTER. (IG) = WIRE SEPARATE TO ISOLATED GROUND BUS.

PANEL 'B' NOTES:
 1. * PROVIDE ISOLATED GROUND BUS.
 2. ** CONTRACTOR SHALL WIRE THESE CIRCUITS THRU MASTER CONTACTOR PANEL. REFERENCE WIRING DIAGRAM SHEET E-5.
 3. * PROVIDE HLO-1 HANDLE LOCK-OFF.

ELECTRICAL PANEL SCHEDULE

PANEL: D SERVICE: 120/208/240V, 3P, 4W + GND FEEDERS: SEE ONE LINE DIAGRAM
PANEL TYPE: SQ-D "NOOD" OR EQUAL BUS RATING: 150A M.L.O. MOUNTING: FINISHED EQUIPMENT SURFACE

LOAD DESCRIPTION	NOTE	LOAD VOLT-AMP	WIRE	CB/P	A B C	CB/P	WIRE	LOAD VOLT-AMP	NOTE	LOAD DESCRIPTION
PHU/MICROWAVE		1920	12	20/2	1	2	20/2	12	1920	PHU/MICROWAVE
PHU/MICROWAVE		1920	12	20/2	3	4	20/2	12	1920	PHU/MICROWAVE
PHU/MICROWAVE		1920	12	20/2	5	6	20/2	12	1920	PHU/MICROWAVE
CONVEYOR TOASTER		1920	12	20/2	7	8	20/2	12	1920	EGG COOKER
VERTICAL TOASTER		2880	10	30/2	9	10	20/2	12	1920	SPARE
HEATED SURFACES		2880	10	20/1	11	12	20/1	12	1920	SANDWICH STATION
SPACE		240	12	20/1	13	14	30/2	10	2880	VERTICAL TOASTER
UTILITY		1920	12	20/1	15	16	20/1	12	2880	UTILITY
SPACE					17	18	20/1	12	1920	SPACE

TOTAL CONNECTED LOAD: 48960 VA **PHASE 'A':** 15360 VA **PHASE 'B':** 16320 VA **PHASE 'C':** 10800 VA
TOTAL CONNECTED AMPS: 144 AMP

NOTES: (TC) = WIRE THROUGH CONTACTOR. (HACR) = HACR TYPE BREAKER. (LO) = LOCKED BREAKER. (GFCI) = GROUND FAULT CIRCUIT INTERRUPTER. (IG) = WIRE SEPARATE TO ISOLATED GROUND BUS.

NOTE: ALL RECEPTACLES TO PANEL 'D' TO BE GFCI IN COMMERCIAL KITCHEN.

GFCI IN COMMERCIAL KITCHEN:
 A. PER NEC 210.8 * ALL SINGLE-PHASE RECEPTACLES RATED 150 VOLTS TO GROUND OR LESS, 50 AMPERES OR LESS AND THREE PHASE RECEPTACLES RATED 150 VOLTS TO GROUND OR LESS, 100 AMPERES OR LESS SHALL HAVE GROUND-FAULT CIRCUIT-INTERRUPTER PROTECTION FOR PERSONNEL. THE PROTECTIVE DEVICE SHALL BE A LOCAL GFCI RECEPTACLE UNLESS NOTED IN PANEL SCHEDULE AS A GFCI CIRCUIT BREAKER.

ELECTRICAL PANEL SCHEDULE

PANEL: M A.I.C. RATING: 42,000 SERVICE: 120/208V, 3P, 4W + GND FEEDERS: SEE ONE LINE DIAGRAM
PANEL TYPE: SQ-D "1-LINE" OR EQUAL SIZE: 800 AMP M.L.O. MOUNTING: NEMA-1 RECESSED

LOAD DESCRIPTION	NOTE	LOAD VOLT-AMP	WIRE	CB/P	A B C	CB/P	WIRE	LOAD VOLT-AMP	NOTE	LOAD DESCRIPTION
PANEL A		13200	3/0	200/3	1	2	200/3	3/0	14206	PANEL B
PANEL A		13805						15918		
PANEL A		11285						15348		
RTU-1	HACR	4896	#8	60/3	3	4	100/3	1/0	15360	PANEL D
RTU-1	HACR	4896						16320		
RTU-1	HACR	4896						10800		
RTU-3	HACR	3168	#8	50/3	5	6	50/3	#8	3168	RTU-2
RTU-3	HACR	3168						3168		
RTU-3	HACR	3168						3168		
EF-1 #23		350	#12	20/2	7	8	30/3	#10	3240	CONVECTION OVEN #36
EF-1 #23		350						3240		
EF-1 #23		350						3240		
EF-2 #33		350	#12	20/2	9	10	35/2	#8	1440	SMOOTHIE MACHINE
EF-2 #33		350						1400		
WALK-IN BOX COOLER CONDENSER		465	#12	20/2	11	12	200/3	3/0	26730	PANEL C
WALK-IN BOX COOLER CONDENSER		465						26730		
WALK-IN BOX COOLER CONDENSER		465						26730		
WALK-IN BOX FREEZER CONDENSER		3024	#10	30/3	13	14	60/3	#8	4896	RTU-4
WALK-IN BOX FREEZER CONDENSER		3024						4896		
WALK-IN BOX FREEZER CONDENSER		3024						4896		

TOTAL CONNECTED AMPS: 782 AMPS **PHASE 'A':** 93775 VA **PHASE 'B':** 93775 VA **PHASE 'C':** 93775 VA

NOTES: (TC) = WIRE THROUGH CONTACTOR. (HACR) = HACR TYPE BREAKER. (LO) = LOCKED BREAKER. (GFCI) = GROUND FAULT CIRCUIT INTERRUPTER. (IG) = WIRE SEPARATE TO ISOLATED GROUND BUS.

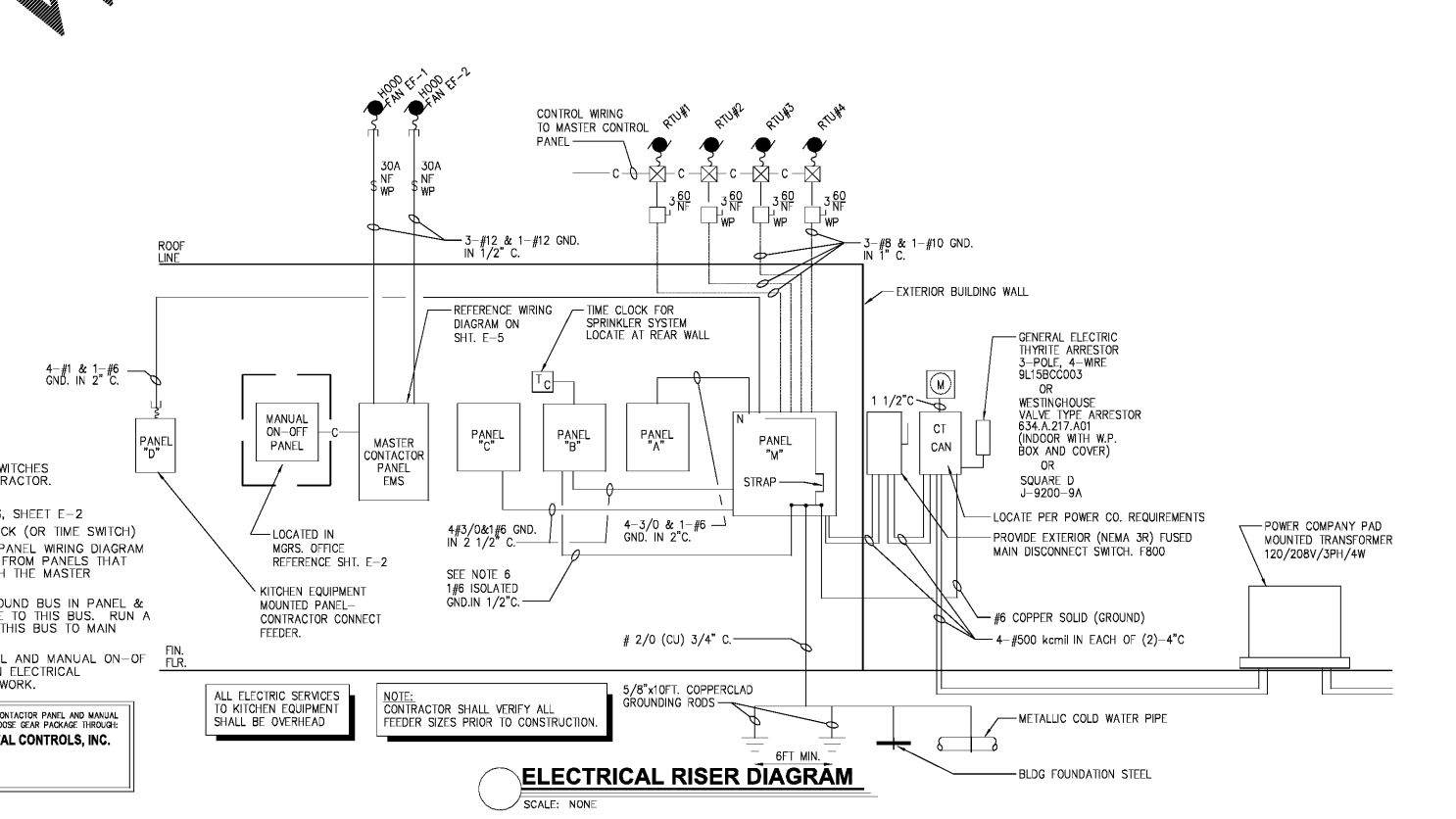
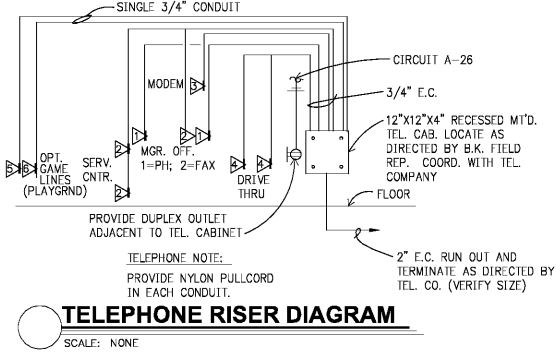
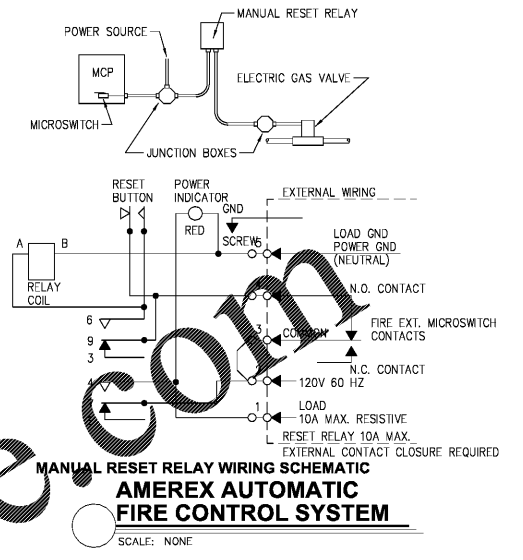
ELECTRICAL PANEL SCHEDULE

PANEL: C A.I.C. RATING: 42,000 SERVICE: 120/208V, 3P, 4W + GND FEEDERS: SEE ONE LINE DIAGRAM
PANEL TYPE: SQ-D "1-LINE" OR EQUAL SIZE: 200 AMP MCB MOUNTING: NEMA-1 RECESSED

LOAD DESCRIPTION	NOTE	LOAD VOLT-AMP	WIRE	CB/P	A B C	CB/P	WIRE	LOAD VOLT-AMP	NOTE	LOAD DESCRIPTION
ELECTRIC FRYER #31		4667	#8	50/3	1	2	50/3	#8	4667	ELECTRIC FRYER #31
ROUTE THRU EMS CONTACTOR		4667						4667		ROUTE THRU EMS CONTACTOR
ELECTRIC FRYER #31		4667	#8	50/3	3	4	50/3	#8	4667	ELECTRIC FRYER #31
ROUTE THRU EMS CONTACTOR		4667						4667		ROUTE THRU EMS CONTACTOR
ELECTRIC FRYER #31		4667	#8	50/3	5	6	50/3	#8	4667	ELECTRIC FRYER #31
ROUTE THRU EMS CONTACTOR		4667						4667		ROUTE THRU EMS CONTACTOR
ELECTRIC FRYER #31		4667	#8	50/3	7	8	50/3	#8	4667	ELECTRIC FRYER #31
ROUTE THRU EMS CONTACTOR		4667						4667		ROUTE THRU EMS CONTACTOR
ELECTRIC BROILER		8000	#4	80/3	9	10	80/3	#4	8000	ELECTRIC WATER HEATER
ELECTRIC BROILER		8000						8000		
ELECTRIC BROILER		8000						8000		

TOTAL CONNECTED LOAD: 108884 VA **PHASE 'A':** 36295 VA **PHASE 'B':** 36295 VA **PHASE 'C':** 36295 VA
TOTAL CONNECTED AMPS: 297 AMPS

NOTES: (TC) = WIRE THROUGH CONTACTOR. (HACR) = HACR TYPE BREAKER. (LO) = LOCKED BREAKER. (GFCI) = GROUND FAULT CIRCUIT INTERRUPTER. (IG) = WIRE SEPARATE TO ISOLATED GROUND BUS.



RISER NOTES:
 1. ALL FUSED DISCONNECT SWITCHES TO BE PROVIDED BY CONTRACTOR.
 2. REFER TO PANEL NOTES.
 3. REFER TO GENERAL NOTES, SHEET E-2
 4. "I.C." INDICATES TIME CLOCK (OR TIME SWITCH)
 5. SEE MASTER CONTACTOR PANEL WIRING DIAGRAM FOR ADDITIONAL CIRCUITS FROM PANELS THAT ARE CONTROLLED THROUGH THE MASTER CONTACTOR PANEL.
 6. PROVIDE AN ISOLATED GROUND BUS IN PANEL & RUN CIRCUIT GROUND WIRE TO THIS BUS. RUN A #6 GREEN GROUND FROM THIS BUS TO MAIN SERVICE GROUND POINT.
 7. MASTER CONTACTOR PANEL AND MANUAL ON-OFF PANEL TO BE INCLUDED IN ELECTRICAL CONTRACTOR'S SCOPE OF WORK.

ELECTRICAL DISTRIBUTION PANELS, MASTER CONTACTOR PANEL AND MANUAL ON/OFF PANEL MAY BE PURCHASED AS A COMPLETE PACKAGE THROUGH:
SUNCOAST ENVIRONMENTAL CONTROLS, INC.
 8566 151st AVENUE NORTH
 LARGO, FLORIDA 34643
 PHONE: (877) 544-6679

PROJECT: #18026.24
 RUC-60 TALL 20/20 IMAGE: NOVEMBER 2018 DESIGN RELEASE
BURGER KING RESTAURANT
 NEAR CORNER OF HWY 82 & JACKSON ST.
 NASHVILLE, GA

PREMIER KINGS, INC.
 5529 CARMICHAEL ROAD
 MONTELOMERY, ALABAMA 36117
 PHONE: (205) 322-1728
 FAX: (205) 322-1728
 WWW.KINGPLUMB.COM

2126 Morris Avenue
 Birmingham, AL 35203
 Phone: (205) 322-1751
 Fax: (205) 322-1728
 www.jpluhba.com

James M. Huckestein architect, AIA
 architecture • planning • interior design

GEORGE M. ELISABETH HYDE
 No. 2249
 PROFESSIONAL
 ENGINEER
 4/4/19

E-3