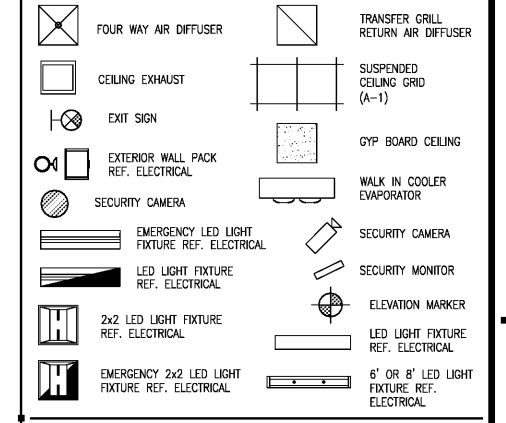


GENERAL NOTES

- A. FINISH CEILING HEIGHT SHALL BE AS NOTED.
- B. UNLESS OTHERWISE NOTED OR CODED, ALL FIXTURES SHOWN ARE NEW.
- C. THE CONTRACTOR SHALL CAREFULLY REVIEW ALL ATTACHMENT CONDITIONS FOR NEW FURRED OR SUSPENDED CEILING TO ASSUME PROPER CLEARANCES AND FIXMENT.
- D. REFER TO E2.0 FOR ADDITIONAL INFORMATION ON LIGHTING.
- E. REFER TO ENGINEERING DRAWINGS FOR ALL LIFE SAFETY DEVICES.
- F. REFER TO ENGINEERING DRAWINGS FOR ALL CIRCUITING/SWITCHING AND ELECTRICAL RISER INFORMATION.
- G. ENGINEERING DRAWINGS SUPERCEDES THIS DRAWING.
- H. REFER TO ENGINEERING DRAWINGS FOR ALL LIGHTING SPECIFICATION.
- I. SEE HVAC PLAN TO COORDINATE CEILING DIFFUSERS, GRILLES, AND FAN LOCATIONS (SHOWN ON THIS DRAWING FOR LOCATION ONLY).
- J. SYRUP LINE INSTALLATION - REFER TO REQ'D CODE OR AS INDICATED ON PLAN. CABLED BUNDLE SYRUP LINES SHALL BE INSTALLED IN PVC CONDUIT (METAL CONDUIT FOR FR LINES) WITH 45° SLEEPS AT TURNER AND "TEE" CONNECTIONS. CONDUIT SHALL BE ATTACHED TO WALL AND UNDERSIDE OF ROOF CONSTRUCTION W/ PIPE CLAMP REFER TO MANUFACTURER'S SPECIFICATIONS FOR MINIMUM ALLOWED BENDING RADIUS OF LINES.
- K. WALL MOUNT ABOVE 8'-4" IN THE MERCHANDISE/SALES AREA SHALL BE P-4 UNLESS NOTED OTHERWISE ON THE REFLECTED CEILING PLAN. REFERENCE SHEET A3.0 FOR MOUNTING SCHEDULES.
- L. VERIFY NUMBER OF SYRUP LINES TO NUMBER OF SYRUP AND POST MIX MACHINES.
- M. PROVIDE ACCESS PANEL WHEN EQUIPMENT IS PRESENT ABOVE COOLER VAULT.

REFLECTED CEILING PLAN LEGEND



KEY NOTES

- 1. G.C. TO PAINT GYP. BD. CEILING. REFER TO DETAIL 4 ON THIS SHEET.
- 2. SYRUP LINES TO POSTMIX INSTALL IN PVC CONDUIT TO WALL POCKET BELOW AND SEAL AS REQUIRED.
- 3. MAPES LUMSHADE ALUMINUM CANOPY.
- 4. SYRUP LINES TO SLURPEE DISPENSERS. INSTALL IN PVC CONDUIT TO WALL POCKET BELOW AND SEAL AS REQ'D.
- 5. PREMANUFACTURED INSULATED COOLER VAULT CEILING. BUILDING CEILING ABOVE IS UNFINISHED EXPOSED STRUCTURE.
- 6. BAR JOIST ABOVE. REFER TO STRUCTURAL DRAWINGS FOR SIZE AND SPACING. LIGHT FIXTURES TO BE HUNG FROM BAR JOIST AND SPACED ACCORDINGLY.
- 7. PRISMATIC SKYLIGHT; SEE A2.3 FOR DIMENSIONED LOCATION, SEE EF-1 FOR ADDITIONAL INFORMATION.
- 8. 6" DIA. PVC CONDUIT ABOVE CEILINGS FOR SYRUP LINES - ROUTE (2) BUNDLES OF 14 SYRUP LINES PER 6" PVC CONDUIT AS REQUIRED - SEAL TO WALL FINISH AT PENETRATIONS AND APPLY SPRAY FOAM ON INTERIOR OF CONDUIT AT ENDS TO SEAL AROUND SYRUP LINES (TYP THROUGH WALL).
- 9. SYRUP LINE 974 SERIES (974R AT FIRE RATED WALLS) ATTACHED TO BOTTOM OF DECK WITH 3/4" WIDE, 16 GAUGE, GALVANIZED PIPE STRAPS AT 4' O.C. MAX.
- 10. DIGITAL MENU BOARDS. REF EF1.0, A7.1, AND A7.2 FOR MORE DETAILS.
- 11. PROMO SCREEN CENTER BETWEEN POST AND POS2. REF EF1.0, A7.1 AND A7.2 FOR MORE DETAILS.

CEILING SCHEDULE	
TYPE	DESCRIPTION
C1	OPEN TO CEILING STRUCTURE W/ EXPOSED TRUSSES
C2	GYP BD CEILING
C3	(A-1) LAY IN ACOUSTICAL CEILING TILE

NOTE:  
REFERENCE ELECTRICAL FOR LIGHTING PLAN  
REFERENCE MECHANICAL FOR HVAC LAYOUT

3/4/19 PEER COMMENTS  
NO DATE REMARKS

REVISIONS



BID SET  
APRIL 03, 2019

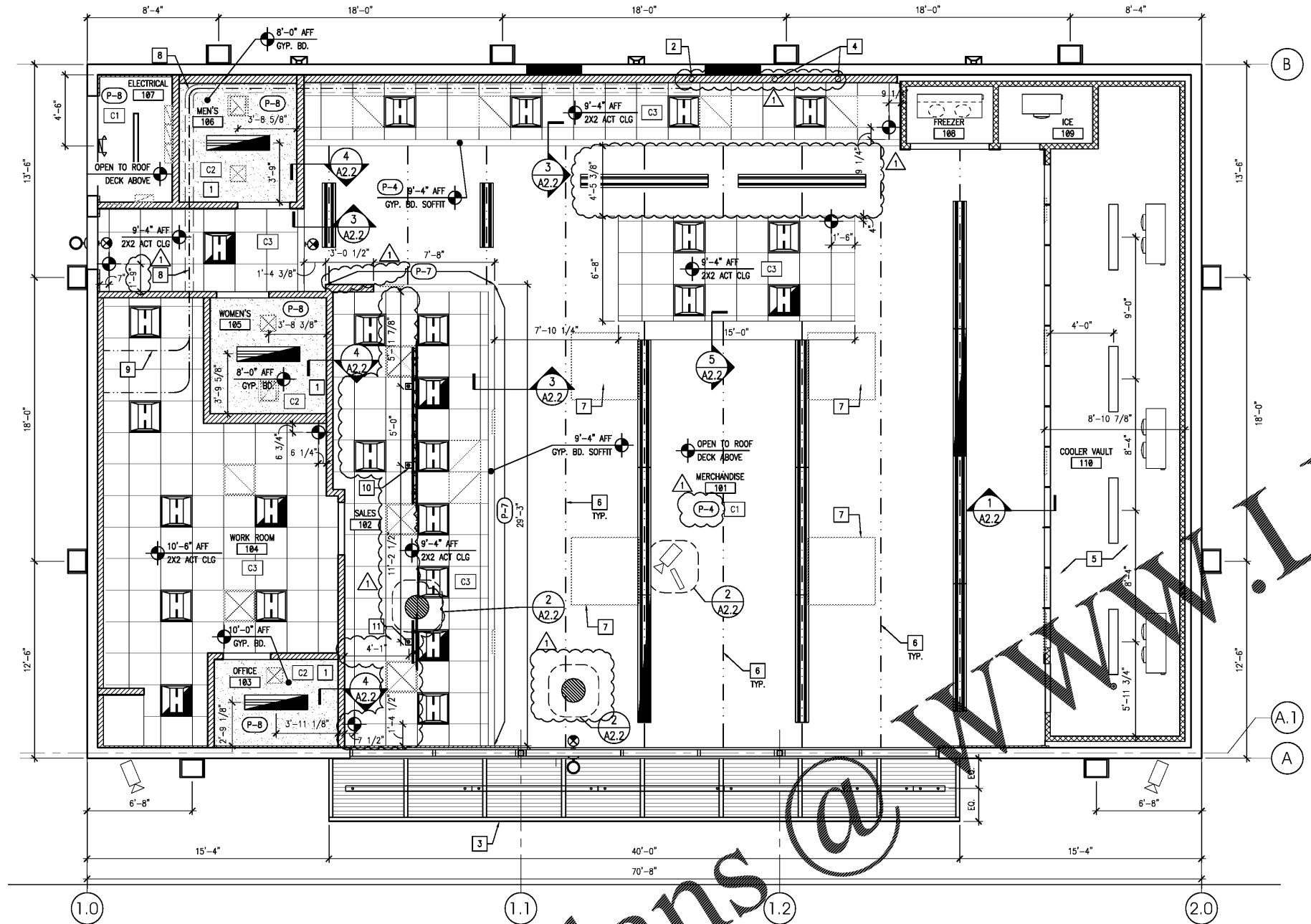
7-ELEVEN  
STORE #38684

SR 60 E. & S BUCK MOORE RD.  
LAKE WALES, FL  
33898

PROJECT NO: 2018.0616  
DATE: DECEMBER 7, 2018

A2.2  
REFLECTED CEILING PLAN

CHECKED: RW DRAWN: JUM



REFLECTED CEILING PLAN

1/4" = 1'-0"

