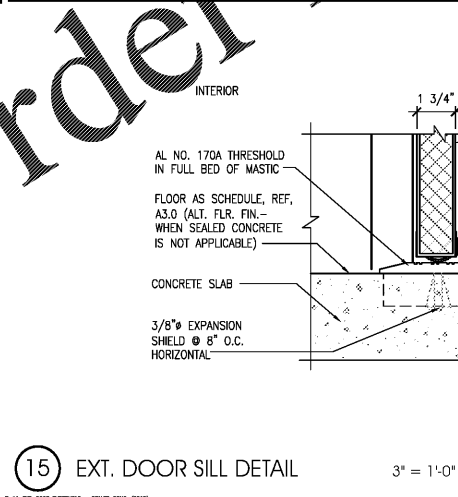
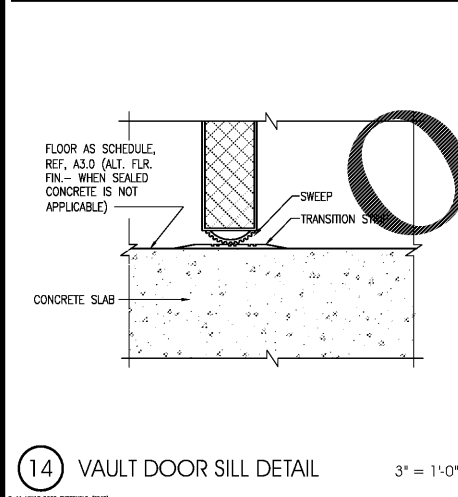
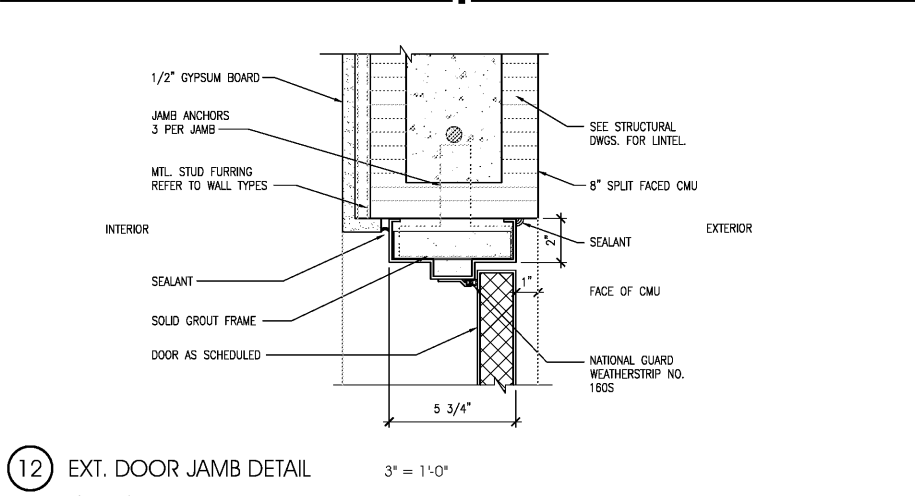
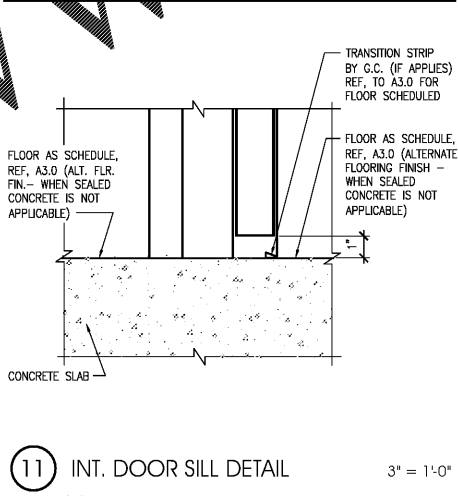
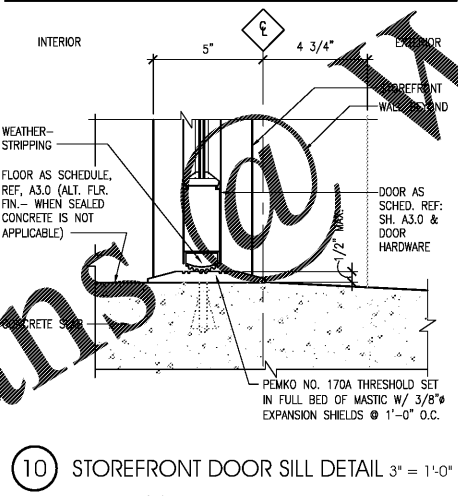
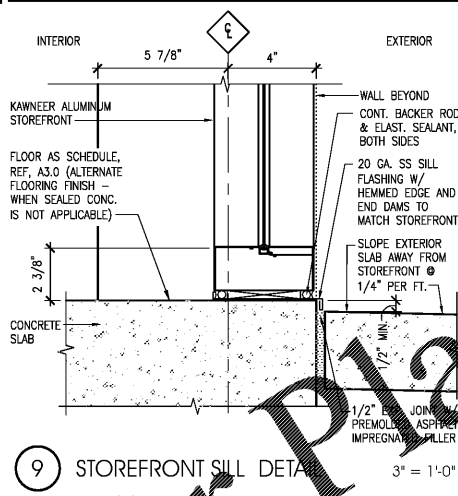
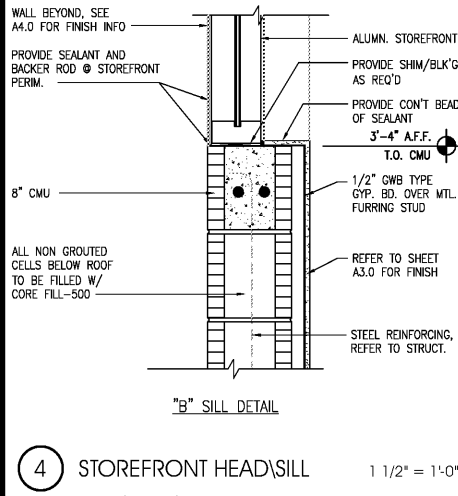
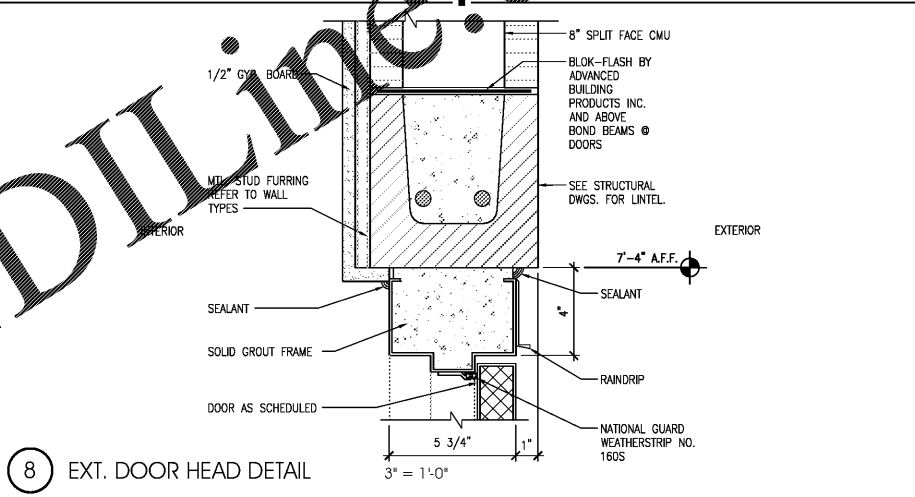
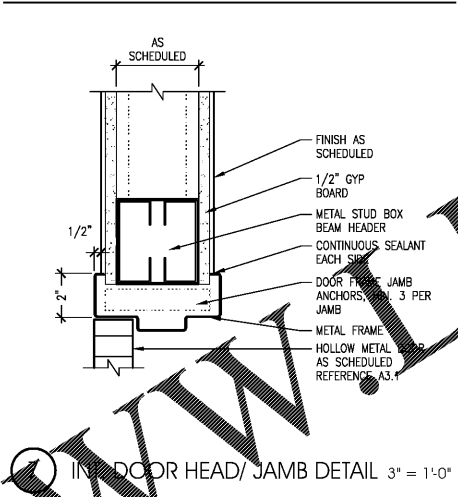
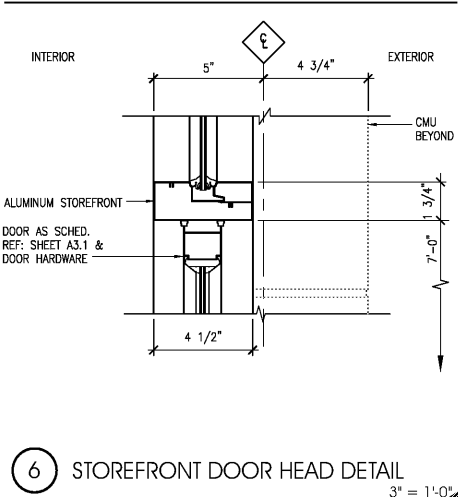
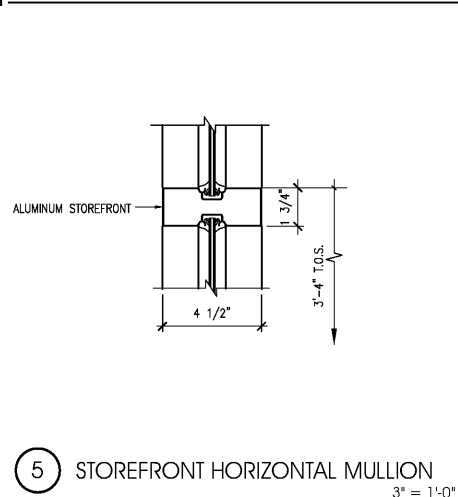
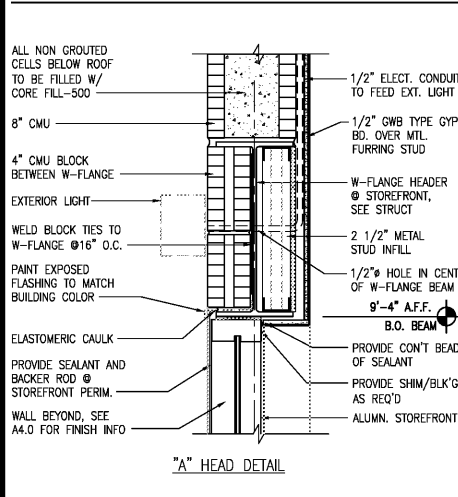
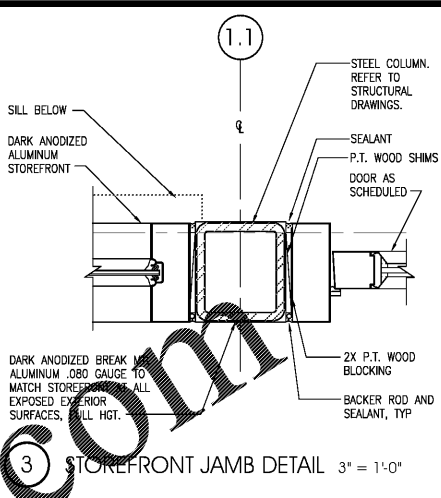
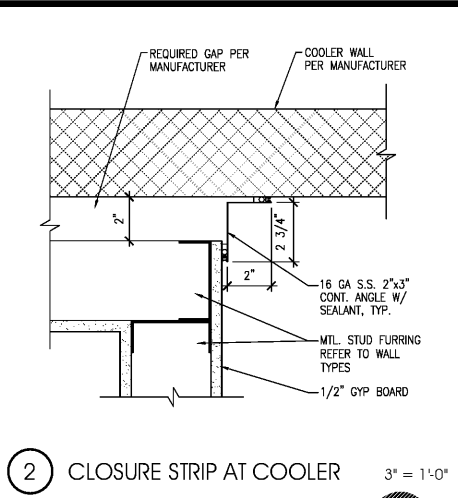
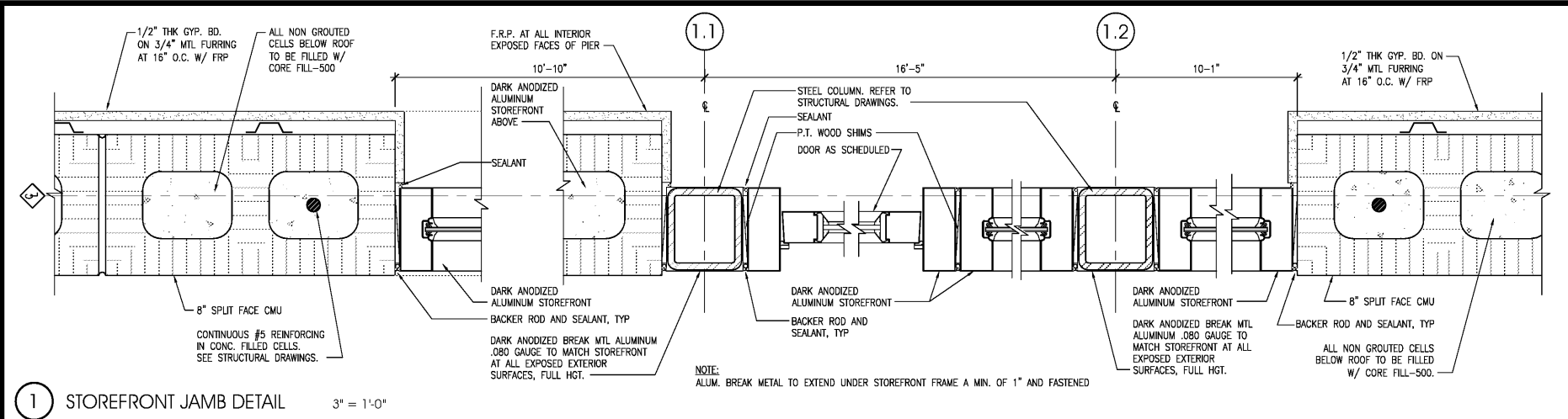


THIS DOCUMENT IS NOT FOR REGULATORY APPROVAL, PERMITTING, OR CONSTRUCTION.



NO.	DATE	REVISIONS	REMARKS



**BID SET**  
**APRIL 03, 2019**  
**7-ELEVEN**  
**STORE #38684**  
 SR 60 E. & S BUCK MOORE RD.  
 LAKE WALES, FL  
 33898

PROJECT NO: 2018.0616  
 DATE: DECEMBER 7, 2018

**A7.0**  
 DOORS AND STOREFRONT  
 DETAILS

CHECKED: RW DRAWN: JUM

Order Plans

WWW.DIline.com