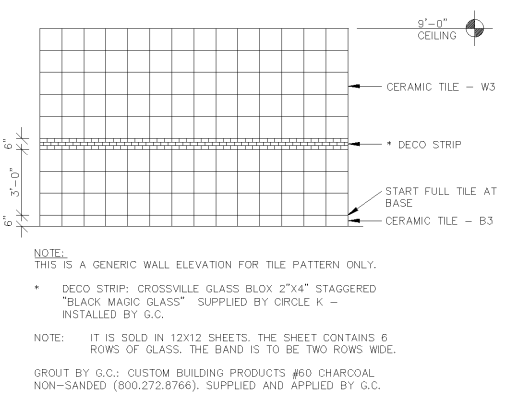
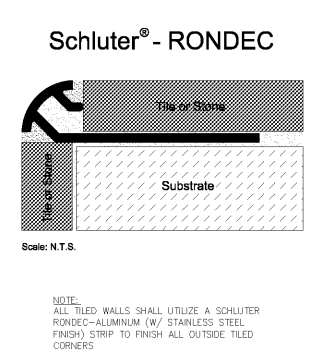
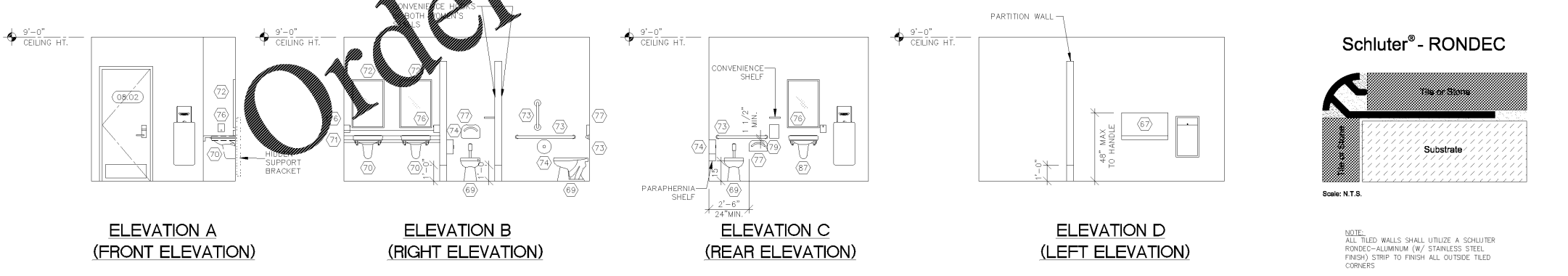
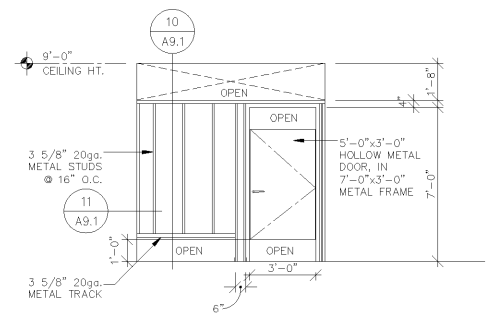
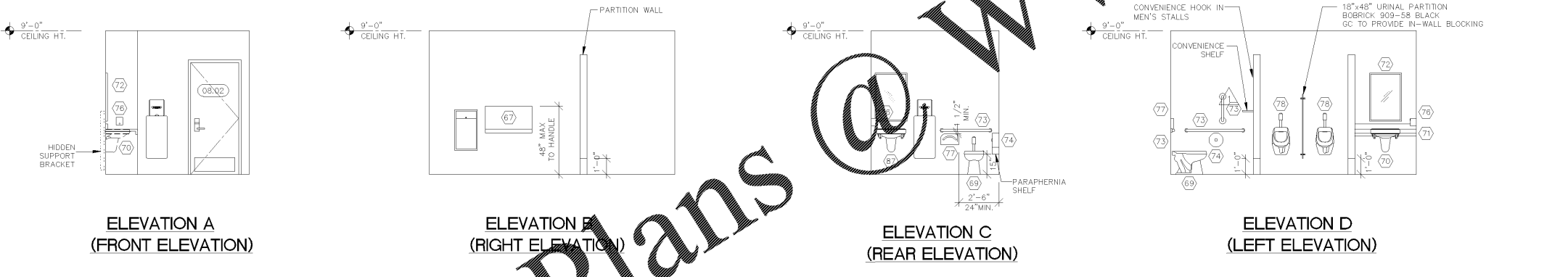
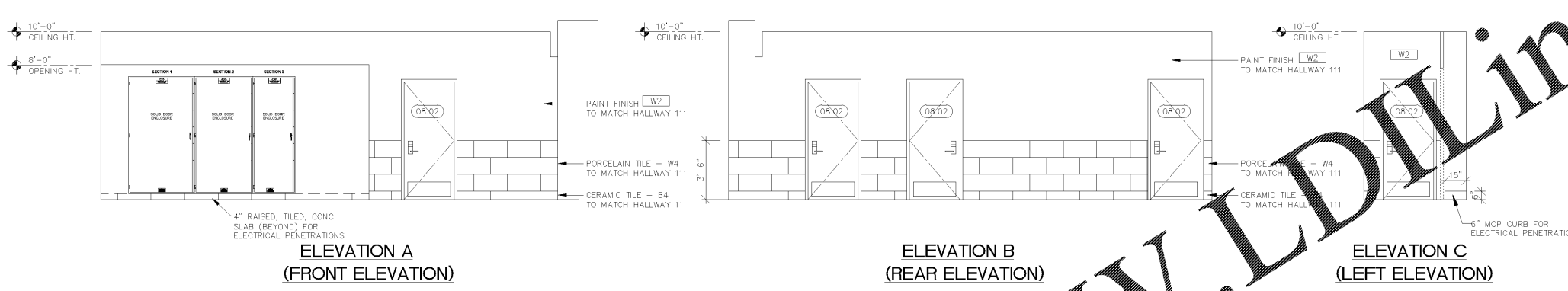


GENERAL NOTES

- SEE SHEET A1.5 FOR EQUIPMENT SCHEDULE. (X)
 - CLEAR ACCESS A MIN. OF 44" IN WIDTH THROUGHOUT SANITARY FACILITY TO REACH THE HANDICAPPED COMPARTMENT. (48" CLEAR @ HINGE SIDE APPROACH TO COMPARTMENT).
 - A CLEAR SPACE OF SUFFICIENT SIZE TO INSCRIBE A 60" DIA. CIRCLE WITHIN THE SANITARY FACILITY ROOM AT A HEIGHT OF 27" A.F.F. DOORS OTHER THAN THE TOILET COMPARTMENT DOOR MAY NOT ENROACH MORE THAN 12".
- HANDICAPPED COMPARTMENT DOOR:**
- EQUIPPED WITH AN AUTOMATIC CLOSING DEVICE (3 SECOND MINIMUM SWEEP TIME FROM OPEN POSITION OF 70 DEGREES TO A POINT 3" FROM THE LATCH).
 - CLEAR OPENING WIDTH OF 32" IF LOCATED AT THE 30, 34" IF LOCATED AT SIDE OF COMPARTMENT.
 - COMPARTMENT DOOR PROVIDES MINIMUM 19" CLEARANCE TO CLEARANCE FOOTSTEPS UNDERNEATH DOOR.
 - INSIDE AND OUTSIDE OF COMPARTMENT DOOR EQUIPPED WITH A LOOP OR U-SHAPED HANDLE. HANDLE TO BE LOCATED BELOW THE LATCH. THE LATCH IS A FLIP-OVER STYLE, SLIDING, OR OTHER HARDWARE NOT REQUIRING THE USER TO TURN KEY OR TURNING.
 - OPENING HARDWARE IS LOCATED BETWEEN 30" AND 44" ABOVE FINISH FLOOR.
- SALES AND SERVICE COUNTERS FBCA 904.4
- NOTE: FBCA, 5th EDITION SPECIFIES ACCESSIBLE COUNTER HEIGHTS UP TO 34" (902.3).



Order Plans

CLIENT:

CIRCLE K STORES, INC.
12911 N. TELECOM PKWY
TAMPA, FLORIDA 33637
PHONE: 813-910-6800
FAX 813-910-6912

DESIGN TEAM:

MDM SERVICES, INC.
engineering • environmental • construction
1066 KATHLEEN ROAD, LAKELAND, FLORIDA 33806
(863) 948-9130
EB #004657

NO.	DATE	REVISION DESCRIPTION

SOUMYA CHAKRABARTI, MS, P.E.
FLA. REG # 66380

5339 SQ. FT. CMU BUILDING A.K.A. 4968

SITE DESIGNATIONS:
CIRCLE K #1885
5750 SE FEDERAL HWY
STUART, MARTIN COUNTY FL

SCALE:	AS NOTED	MDM JOB #	17137
DATE:	08-11-2017		
DESIGNED BY:			
DRAWN BY:	P. DOSS	FILE NAME:	
CHECKED BY:			

DRAWING TITLE:
INTERIOR ELEVATIONS

SHEET NO.:
A3.3