



Scale	AS NOTED	Date	Drawn By	Checked By
		03/11/19	ZNU	RBR

**BOX STORAGE  
 SELF STORAGE  
 2100 HAMILTON PLACE BLVD.  
 CHATTANOOGA, TN 37421**

**SANITARY FLOOR PLAN**

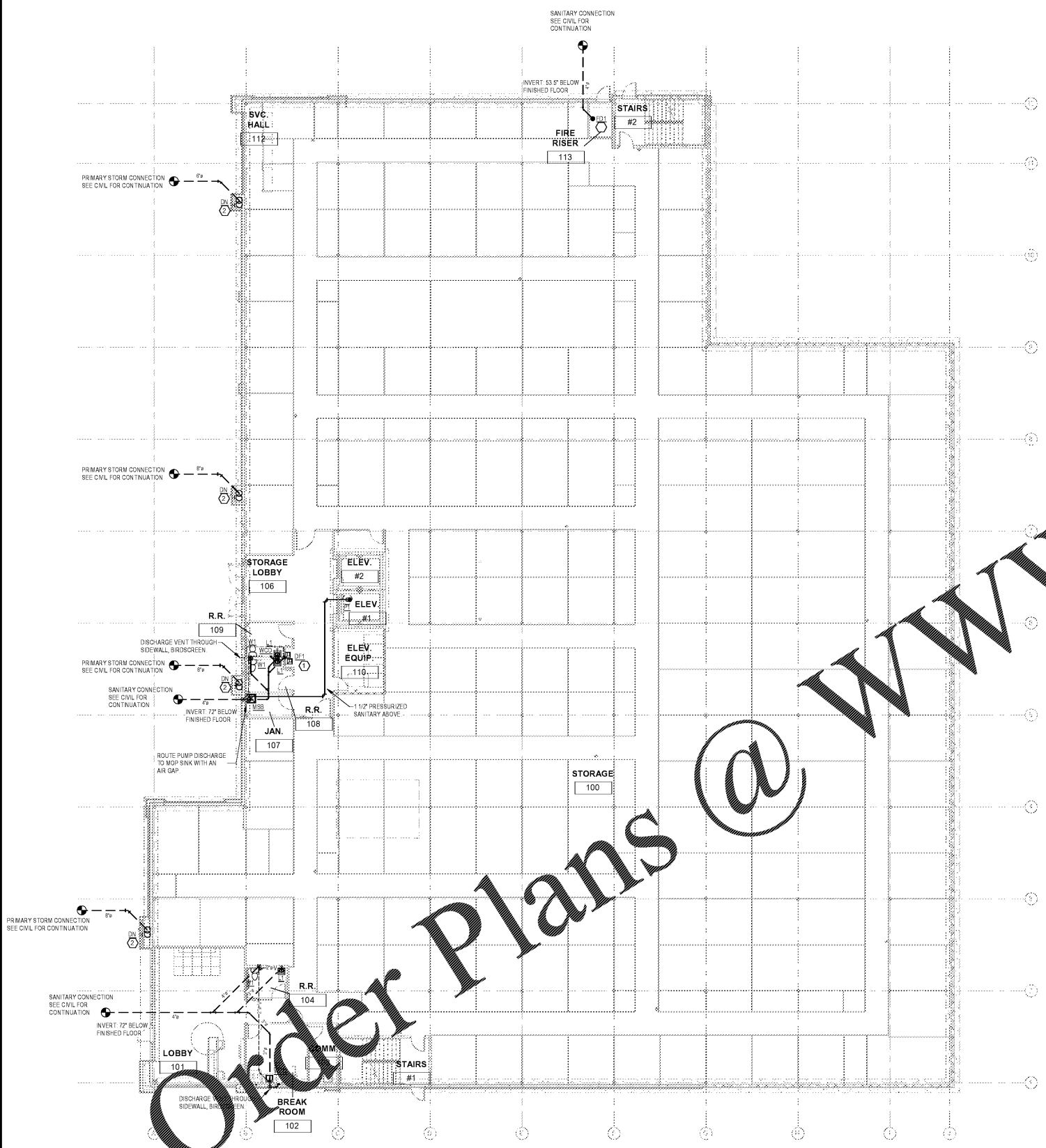
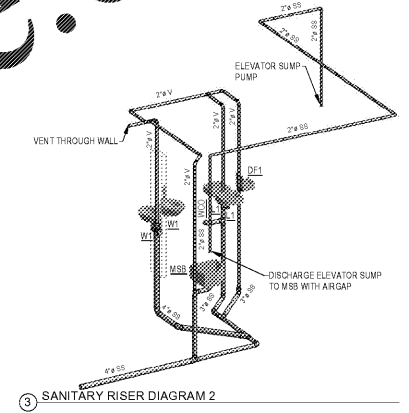
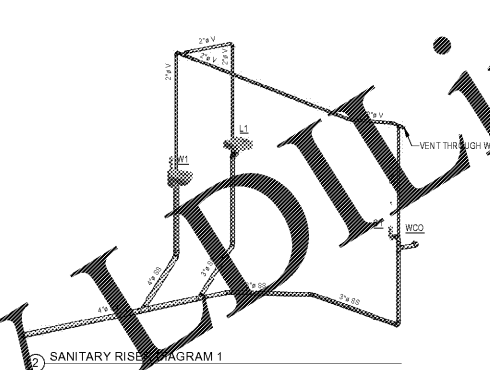


Certified By: **JEFFREY WEST**  
 Drawing Number: **P101**  
 Or Sheets  
 Job Number:  
 A/E Job Number: **18356**

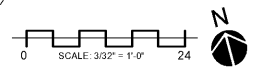
KEYNOTE LEGEND	
KEY VALUE	KEYNOTE TEXT
1	MOUNT DRINKING FOUNTAIN AT ADA COMPLIANT HEIGHT. SEE ARCHITECTURAL DRAWINGS FOR EXACT DIMENSIONS.
2	ROUTE SECONDARY (OVERFLOW) DRAIN DOWN IN ENGAGED COLUMN. TURN OUT AT 12" ABOVE GRADE AND TERMINATE WITH DOWNSPOUT NOZZLE.

**SUPPLEMENTAL SANITARY NOTES**

- PLUMBING DESIGN ENDS 30" FROM THE EXTERIOR OF THE BUILDING.
- MECHANICAL EQUIPMENT IS SHOWN FOR REFERENCE ONLY. REFER TO THE MECHANICAL SHEETS FOR EXACT LOCATIONS.
- COORDINATE PIPE ROUTING WITH EXISTING EQUIPMENT BEFORE FABRICATION.
- COORDINATE VENT PENETRATION WITH MECHANICAL OUTSIDE AIR INTAKES (TYPICAL). ENSURE 12" MIN. SEPARATION FROM AIR INTAKES.
- COORDINATE PENETRATIONS THROUGH RATED ASSEMBLIES TO ENSURE FINAL INSTALLATION IS PROPERLY PROTECTED AS REQUIRED BY APPLICABLE CODES. EX. WATER PIPE PENETRATIONS THROUGH RATED WALLS.
- PPING SYSTEMS THROUGHOUT THE BUILDING SHALL BE PROTECTED FROM FREEZING, GENERALLY BY INSULATING PIPES. HEATED SIDE OF BUILDING INSULATION. PIPING ADJACENT TO EXTERIOR WALLS SHALL BE INSTALLED IN FURRED SPACES. MAINTAINING SEPARATION BETWEEN THE PIPING AND THE EXTERIOR WALL.
- INSULATE DRAINS AND DRAIN BOODS ABOVE SLAB. RECEIVE CONDENSATE FROM INSULATION.



**1 FIRST FLOOR SANITARY PLAN**



Order Plans @ [www.LDOnline.com](http://www.LDOnline.com)