

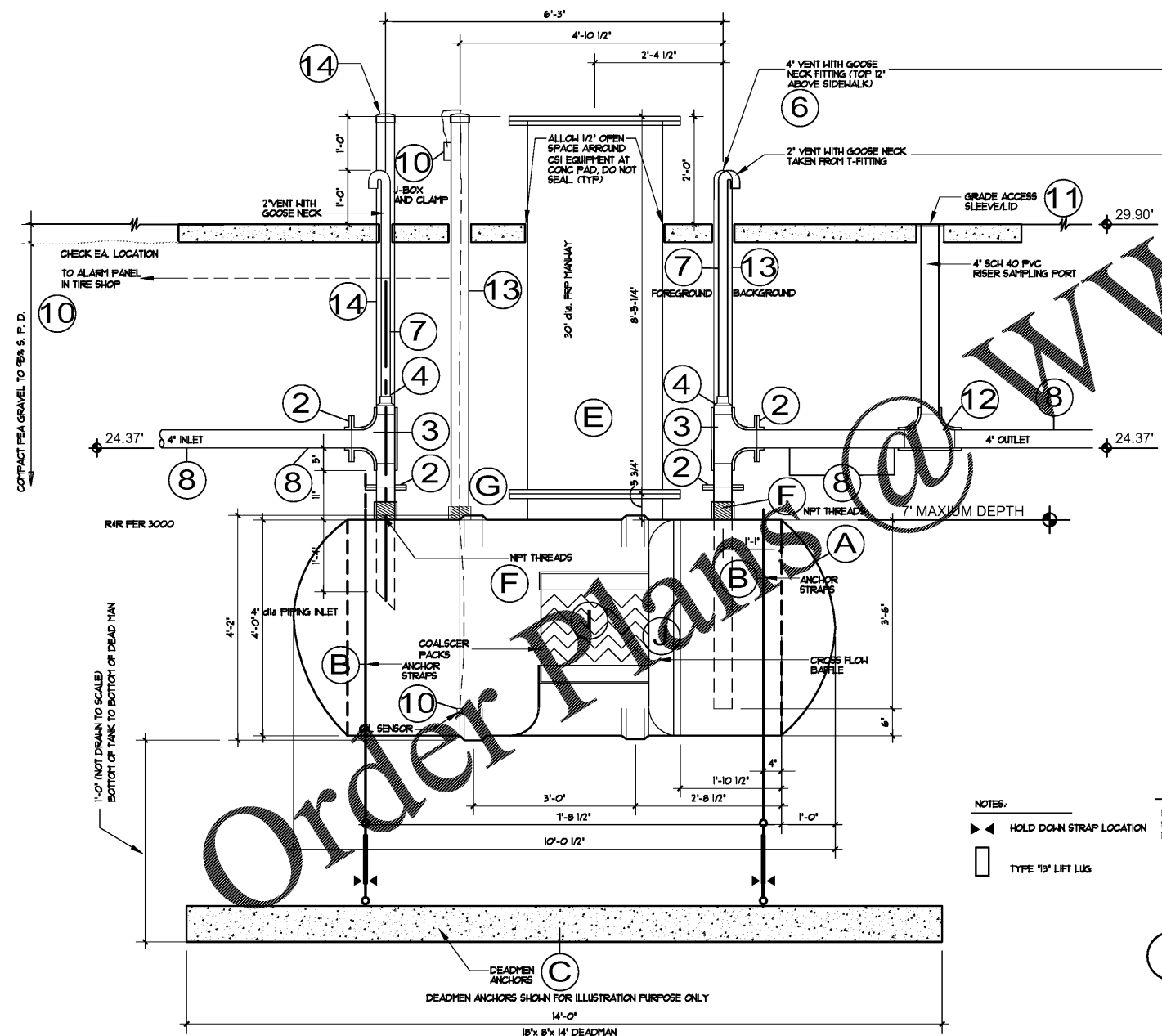
**A OIL/WATER SEPARATION PLAN**  
SCALE: 3/4" = 1'-0"

**SEPARATOR DESIGN:**  
MAX INFLUENT CAPACITY (IN) 400 PPM  
MAX EFFLUENT CAPACITY (OUT) 10 PPM  
MAX FLOW RATE 55 GPM  
OIL STORAGE CAPACITY = 190 GALS  
OIL SPILL CAPACITY = 785 GALS  
DRY WEIGHT = 425 LBS

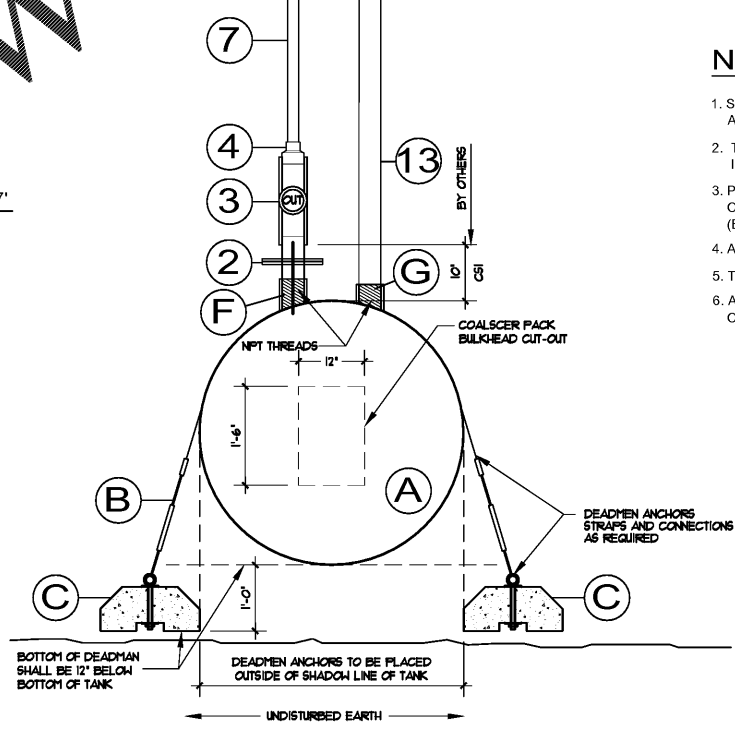
CONTAINMENT SOLUTIONS CONROE, TEXAS  
SWT (4) 550 OWS CSI-10 - PROVIDED BY OWNER  
INSTALL IN TANK HOLE BY FUEL CONTRACTOR

OIL / WATER SEPARATOR	
MK	PROVIDED EQUIPMENT BY OWNER
A	DOUBLE WALL TANK
B	FRP HOLD DOWNSTRAPS AND TURNBUCKLE ASSEMBLY
C	PRECAST DEADMEN ANCHORS WITH EYEBOLTS
D	NOT USED
E	30" FLANGED MANWAY ACCESS
F	NPT THREADED CONNECTIONS WITH 6" VAN STONE FLANGE
G	NPT 4" THREADED CONNECTION
H	NOT USED
I	COALSCER PACKS
J	CROSSFLOW BAFFLE

FURNISHED BY CONTRACTORS		
1	CONCRETE TANK PAD AT FINISH GRADE, RE CIVIL DRAWINGS	BY G.C.
2	4" PVC FLANG	BY G.C.
3	4" 4"x4" T	BY G.C.
4	4" 4" PVC REDUCER	BY F.C.
5	NOT USED	
6	4" DIA VENT PIPING BLACK IRON OR GALV. PIPING, GOOSENECK FITTING	BY F.C.
7	BLACK IRON OR GALV. RISER VENT WITH NPT THREADS, GOOSE NECK FITTING	BY F.C.
8	4" INLET AND OUTLET PIPING, RE CIVIL	BY G.C.
9	NOT USED	
10	LOW VOLTAGE, INCON OIL LEVEL PROBE FROM FRANKLIN FUELING, WITH J-BOX/CLAMPS AND THREADED CAP, CONNECT TO ATG (INCON EVO UNIT)	BY F.C.
11	EFFLUENT MONITOR ACCESS PORT, 4" PVC RISER WITH FLUSH THREADED CAP	BY G.C.
12	4"x4"x4" PVC T	BY G.C.
13	BLACK IRON OR GALV. RISER WITH NPT THREADS	BY F.C.
14	BLACK IRON OR GALV. GAUGE PORT WITH NPT THREADS, & 4" THREADED TOP CAP.	BY F.C.



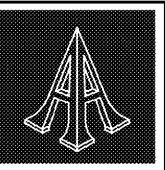
**B OIL/WATER SEPARATION ELEVATION**  
SCALE: 3/4" = 1'-0"



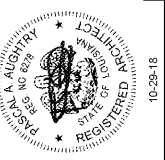
**C OIL/WATER SEPARATION RIGHT ELEVATION**  
SCALE: 3/4" = 1'-0"

- NOTES:** BY FUEL CONTRACTOR (UNLESS OTHERWISE NOTED)
- SEPARATOR SHALL BE FILLED WITH CLEAN, FRESH WATER AS SOON AS POSSIBLE AFTER PLACEMENT OF PEA GRAVEL TO TANK TOP. BY FUEL CONTRACTOR
  - TANK HOLE BY FUEL CONTRACTOR (INSTALL PER TANK MRF INSTALLATION INSTRUCTIONS).
  - PEA GRAVEL BACKFILL BY FUEL CONTRACTOR COMPACT TO 95% STANDARD PROCTOR DENSITY (BACKFILL PER TANK MANUFACTURER'S SPECIFICATION)
  - ALL ELECTRICAL BY FUEL CONTRACTOR.
  - THE INCON OIL LEVEL PROBE TO BE INSTALLED PER MFR. REQUIREMENTS.
  - ALL ABOVE GRADE EQUIPMENT INCLUDING MANWAYS, VENT PIPING, AND VALVE COVERS SHALL BE PAINTED BLACK. BY G.C.

- NOTES:**
- HOLD DOWN STRAP LOCATION
  - TYPE "B" LIFT LUG



Pascal Aughtry & Associates, PC  
405.463.3494  
Fax 405.463.3493  
937 East Britton Road  
Oklahoma City, OK 73114  
pascalarch.com



BUILDING ADDITION  
STORE No. 243  
IOWA, LA



Revisions:	
No.	Date
-	-

Project No.: LV518243  
Date: 10-15-18  
Sheet No.:

**SP-6.1**