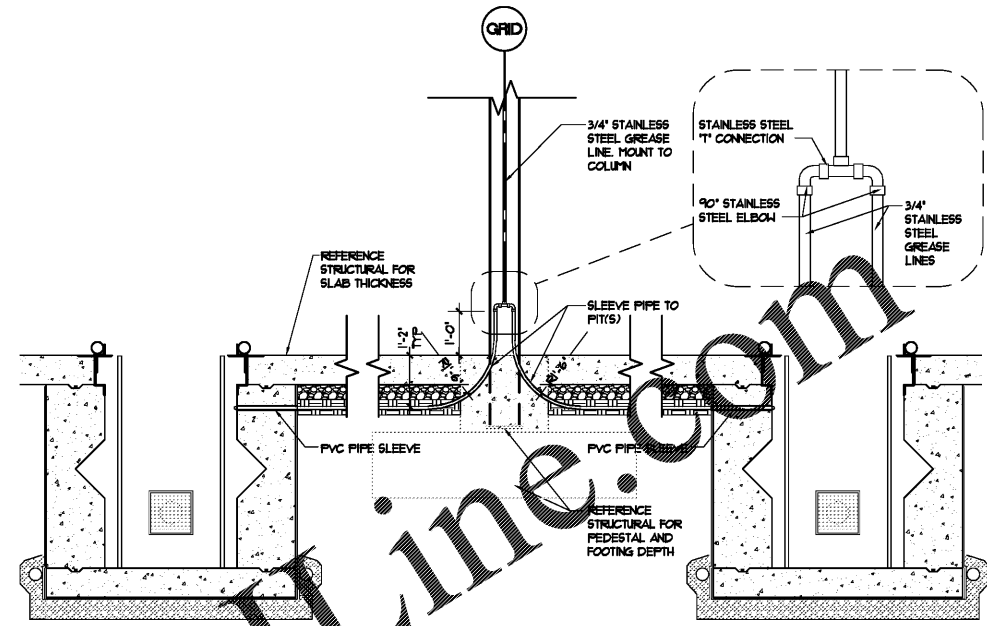
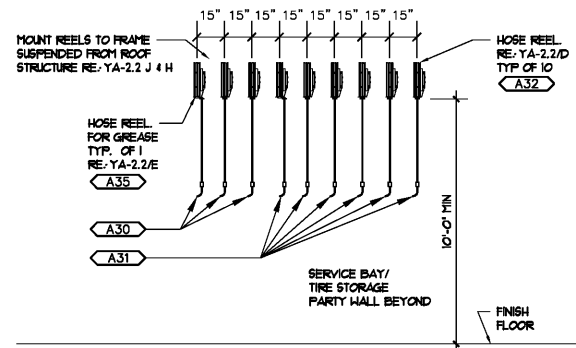


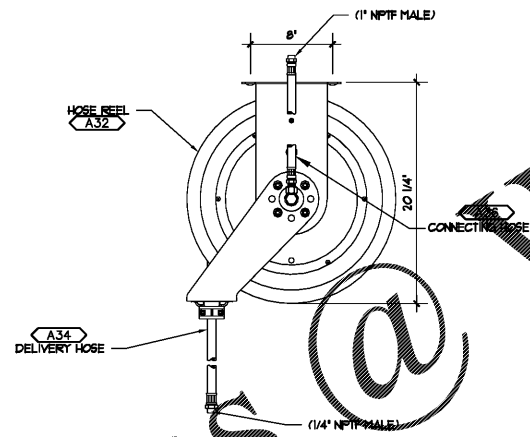
A LUBE EQUIP. ELEVATION
SCALE: N.T.S.



B GREASE LINE SECTION
SCALE: N.T.S.

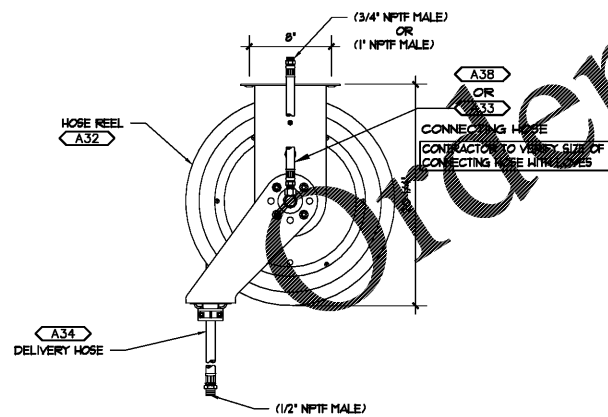


C HOSE REEL ELEVATION
SCALE: 1/4" = 1'-0"



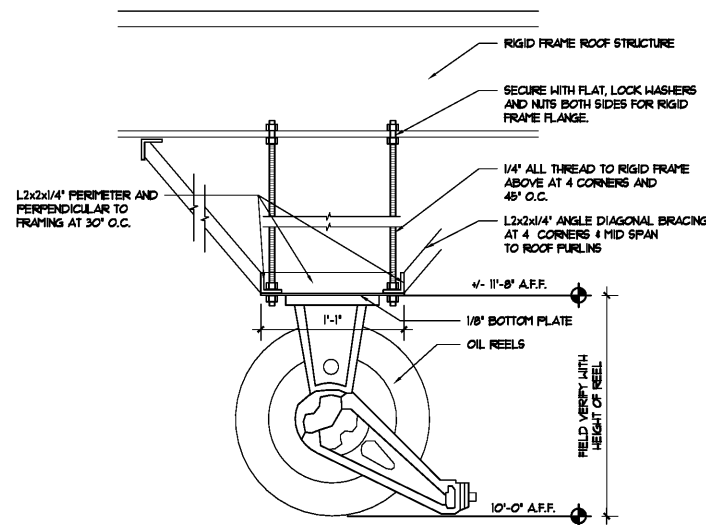
E GREASE REEL
SCALE: NOT TO SCALE

G NOT USED
SCALE:

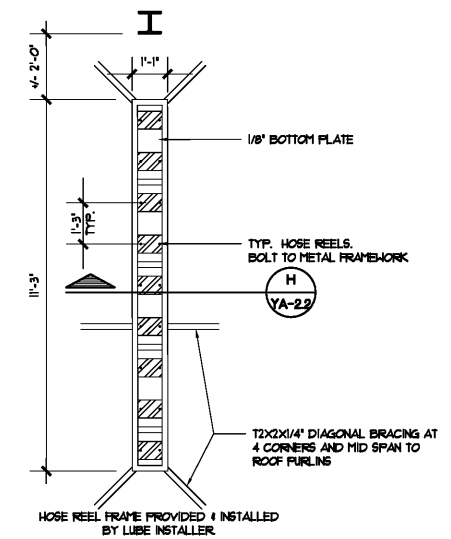


D HOSE REELS
SCALE: NOT TO SCALE

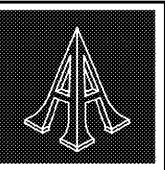
F NOT USED
SCALE:



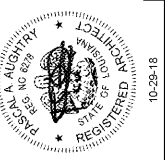
H HOSE REEL FRAME SECTION
SCALE: 1-1/2" = 1'-0"



J HOSE REEL FRAME PLAN
SCALE: 3/8" = 1'-0"



Pascal Aughtry & Associates, PC
405.463.3494
Fax 405.463.3493
937 East Britton Road
Oklahoma City, OK 73114
pascalarch.com



BUILDING ADDITION
STORE No. 243
IOWA, LA



Revisions:	
No.	Date

Project No.: LVS18243
Date: 10-15-18
Sheet No.:
YA-2.2