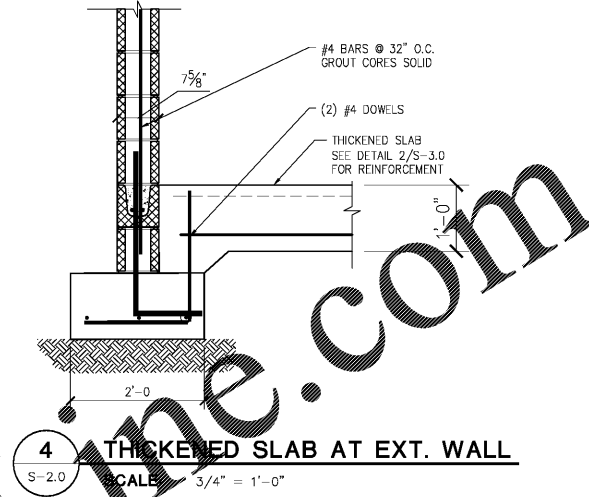
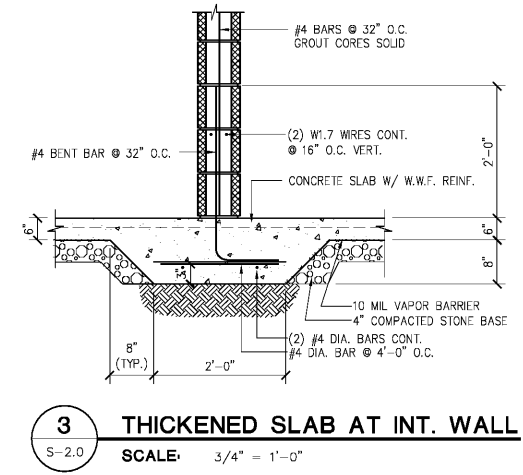


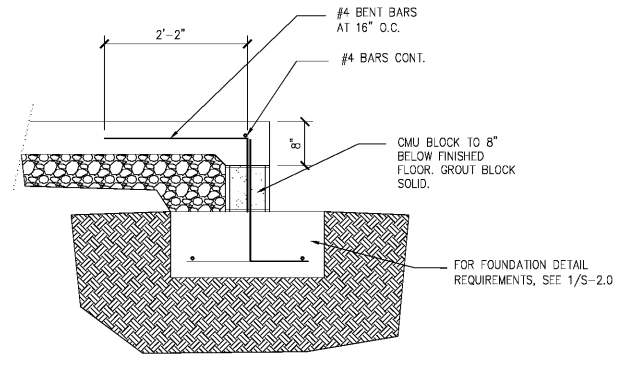
JOB NO.	19-1034
DATE	MARCH 20, 2019
DRAWN	MKG
CHECKED	MHH
COPYRIGHT © 2019	SEWELL AND SEWELL ARCHITECTS, PLLC



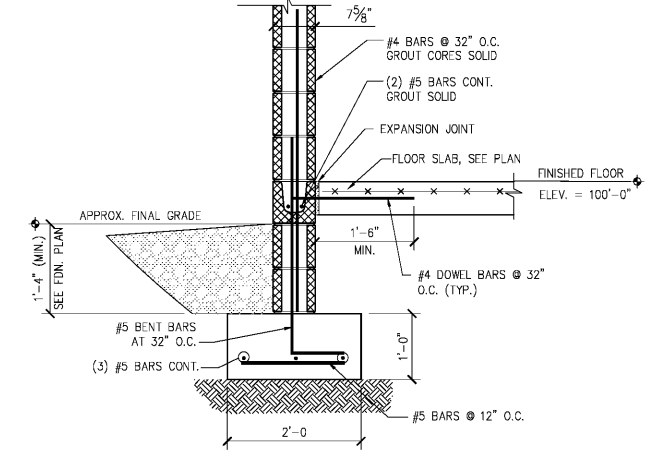
**4 THICKENED SLAB AT EXT. WALL**  
SCALE: 3/4" = 1'-0"



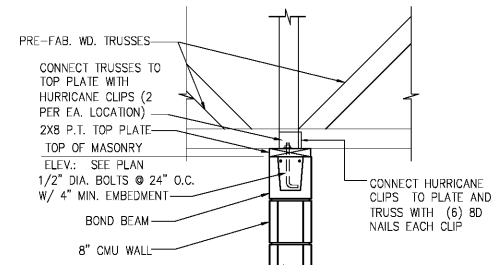
**3 THICKENED SLAB AT INT. WALL**  
SCALE: 3/4" = 1'-0"



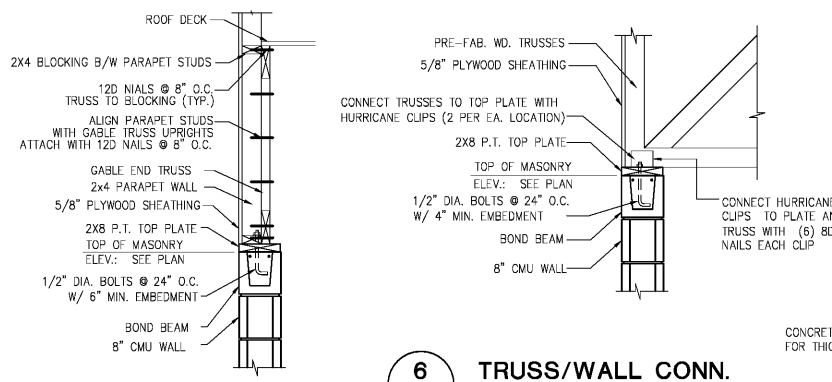
**2 DOOR POUR THRU DET.**  
SCALE: 3/4" = 1'-0"



**1 FTG./WALL DETAIL**  
SCALE: 3/4" = 1'-0"

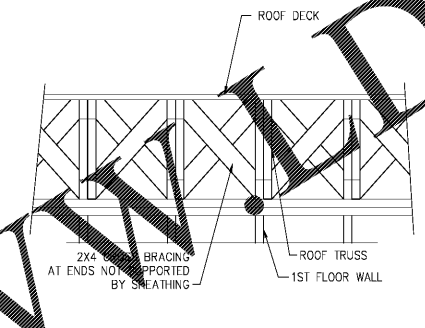


**7 TRUSS/WALL CONN.**  
SCALE: 3/4" = 1'-0"

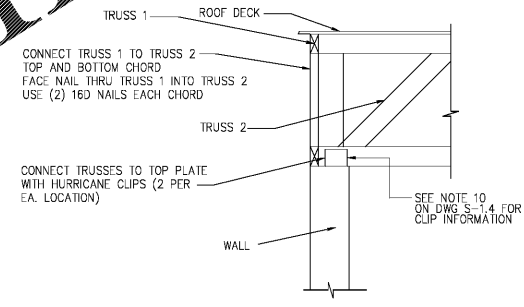


**6 TRUSS/WALL CONN.**  
SCALE: 3/4" = 1'-0"

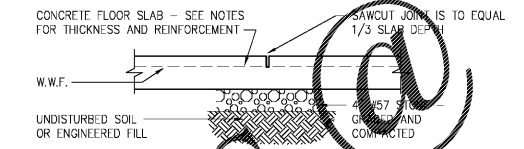
**5 TRUSS/WALL CONN.**  
SCALE: 3/4" = 1'-0"



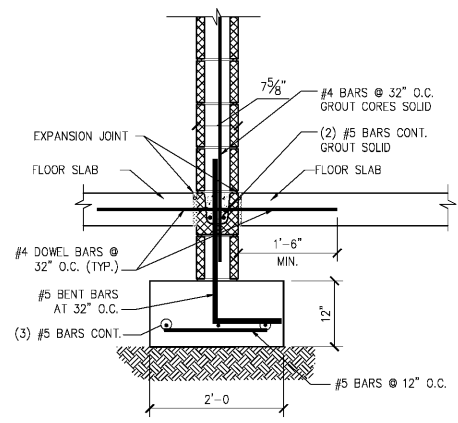
**8 TRUSS BRACING**  
SCALE: 3/4" = 1'-0"



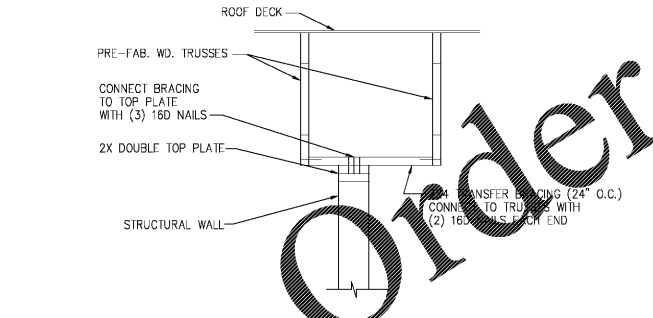
**9 PERP. ROOF TRUSS BRACING**  
SCALE: 3/4" = 1'-0"



**11 CONCRETE JOINT DETAIL**  
SCALE: 3/4" = 1'-0"



**12 FTG./WALL DETAIL**  
SCALE: 3/4" = 1'-0"



**10 TRANSFER BRACING**  
SCALE: 3/4" = 1'-0"

Order Plans @ WWW.DILINE.com