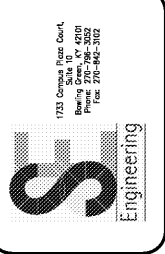
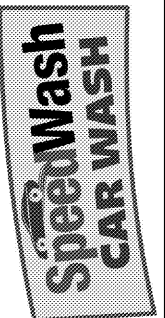




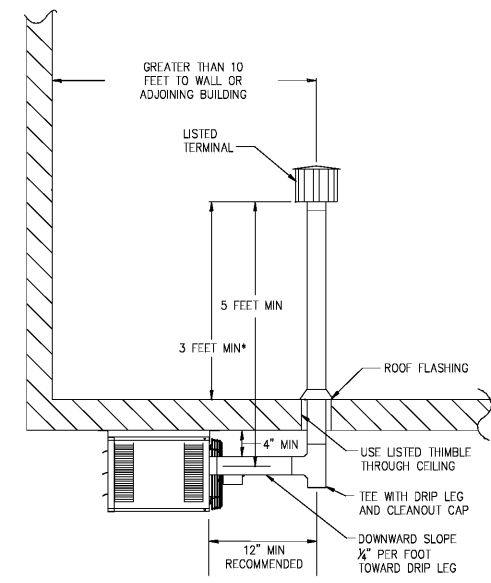
BARDSTOWN ROAD
LOUISVILLE, KY



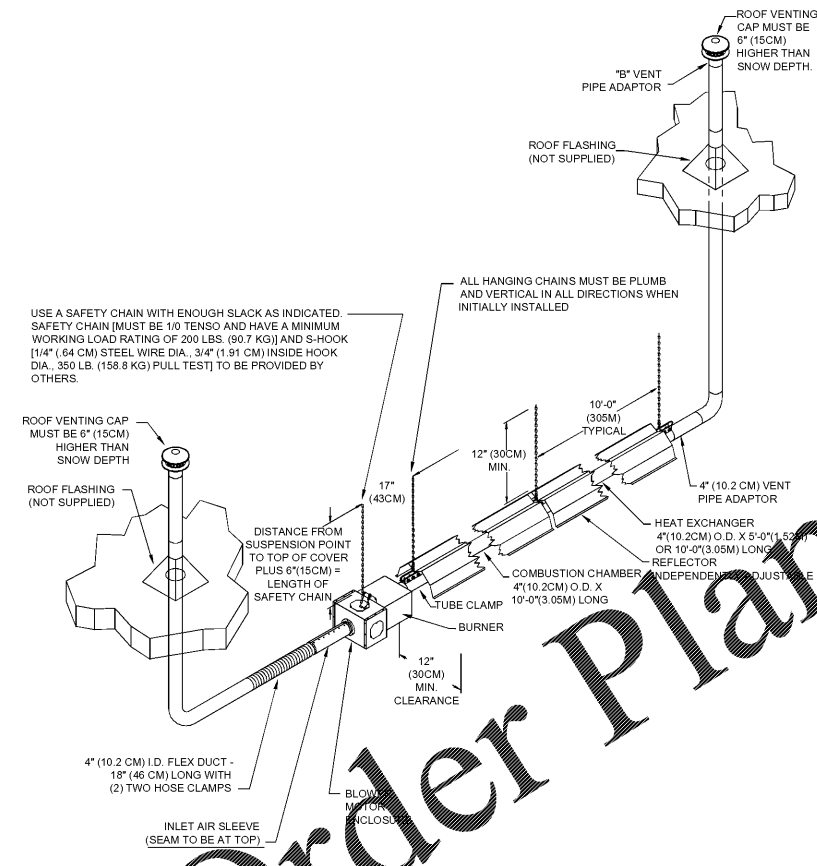
Mechanical Details and
Schedules

JOB NO. 19-1033
DATE 03/20/19
DRAWN IBT
CHECKED DHS

SHEET
M-0.2



1 TYP. UNIT HEATER DETAIL
SCALE: N.T.S.



2 TYP. TUBE HEATER DETAIL
SCALE: N.T.S.

PACKAGE ROOF TOP UNITS												
MARK	NOM. CAP. (TONS)	CFM	O.A. CFM	MAKE	MODEL NUMBER	ORIENTATION	DISCHARGE	VOLTAGE	MCA/MOCP	GAS HEAT OUTPUT	ACCESSORIES	NOTES
RTU-1	2	800	80	YORK	DN024N03806	HORIZONTAL	DOWN FLOW	208-230/1/60	16.1/20	36 MBH	1,2,3	1,2,3,4,5

ACCESSORIES:
 1. PROVIDE 5 YEAR COMPRESSOR WARRANTY.
 2. PROVIDE NEOPRENE IN SHEAR VIBRATION ISOLATORS FOR FLOOR MOUNT.
 3. PROVIDE PROGRAMMABLE HEAT/COOL THERMOSTAT.
 4. PROVIDE THRU-THE-BASE CONNECTIONS.
 5. PROVIDE TEMPERATURE ECONOMIZER W/ BAROMETRIC RELIEF (OPTIONAL).

NOTES:
 1. PROVIDE FLEXIBLE CONNECTION BETWEEN AIR HANDLING UNIT AND DUCT WORK.
 2. ROUTE CONDENSATE DRAINS TO ROOF DRAIN OR GUTTER.
 3. MOUNT ON ROOF CURB.
 4. FIELD INSTALL DISCONNECT.
 5. FIELD INSTALL CONVENIENCE OUTLET NEAR UNIT.

GAS-FIRED HEATERS							
MARK	TYPE	MANUFACTURER	MODEL	FUEL	OUTPUT	LENGTH	NOTES
DH-1	JET HEATER	OWNER PROVIDED	-	NATURAL GAS	550,000 BTU	N/A	1,5
DH-2	JET HEATER	OWNER PROVIDED	-	NATURAL GAS	550,000 BTU	N/A	1,5
DH-3	JET HEATER	OWNER PROVIDED	-	NATURAL GAS	550,000 BTU	N/A	1,5,6
UH-1	UNIT HEATER	MODINE	HD7550111N	NATURAL GAS	75,000 BTU	N/A	1,2
TH-1	TUBE HEATER	SOLARONICS	SSTG-100-30BN	NATURAL GAS	100,000 BTU	32'-1-1/4"	1,2,3
TH-2	TUBE HEATER	SOLARONICS	SSTG-100-30BN	NATURAL GAS	100,000 BTU	32'-1-1/4"	1,2,3

NOTES:
 1. FOLLOW ALL MFG. RECOMMENDED CLEARANCES AND REQUIREMENTS.
 2. ROUTE COMBUSTION/INTAKE AIR THRU ROOF. SEE DETAILS ON M-0.2.
 3. MOUNT AT A 45 DEGREE ANGLE.
 4. MOUNT AT A 0 DEGREE ANGLE.
 5. COORDINATE INSTALLATION REQUIREMENTS WITH OWNER.
 6. STUB IN FOR FUTURE HEATER.

GRILLS AND DAMPERS					
MARK	SERVICE	SIZE	LOCATION	MANUFACTURER/MODEL	REMARKS
S-1	SUPPLY	24x24	CEILING	PROSELECT/PSHVD	4-WAY THROW, WITH MANUAL DAMPER, NECK TO MATCH DUCT RUNOUT
R-1	RETURN	24x24	CEILING	PROSELECT/PSAEC511B	ALUMINUM CORE RETURN GRILL
E-1	EXHAUST	12x12	CEILING	N/A	INCLUDE WITH EF-1
OA-1	OUTSIDE AIR	24x24	CEILING	GREENHECK / GRSR	PROVIDE BRIDSCREEN TO CURB, 8" DAMPER

EXHAUST FANS				
MARK	AIR FLOW	POWER	MANUFACTURER/MODEL	REMARKS
EF-1	75 CFM	120/1/60	BRDAM75A	W/ 12" LIGHT AND GRILL, CEILING MOUNT WITH SWITCH WITH LIGHTS

Direct Drive Upblast Centrifugal Roof Exhaust Fan

MARK INFORMATION			FAN INFORMATION				MOTOR INFORMATION						
QTY	MARK	MODEL	VOLUME (CFM)	TOTAL EXTERNAL SP (IN WG)	FAN RPM	OPERATING POWER (HP)	WEIGHT (LB.)	SIZE (HP)	V/C/P	ENCLOSURE	MOTOR RPM	WINDINGS	NEC FLA*
1	EF-2	CUE-161-A	4,500	0.282	1,725	1.86	127	2	460/60/3	OP	1725	1	3.4

*NEC FLA - Based on tables 150 or 148 of National Electrical Code 2002. Actual motor FLA may vary, for sizing thermal overload, consult factory.

EF-2 : SELECTED OPTIONS AND ACCESSORIES	
Standard curb cap size - 22 in. square	
Not UL Listed	
Switch, NEMA-1, Toggle, Shipped with Unit	
Roof Curb-Galv., GPI-22-G12, Under Sized 1.5 in. Total	
Damper Shipped Loose, WD-100-PB-16X16, Gravity Operated, Not Coated	
Birdscreen: Galvanized	

Order Plans