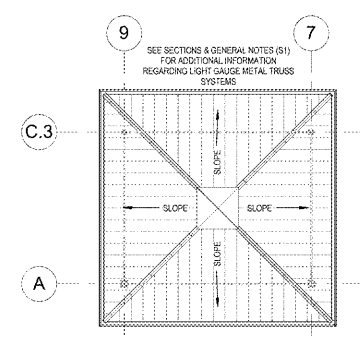
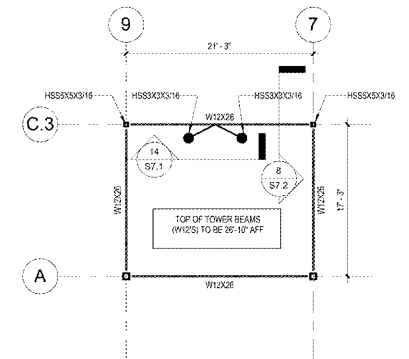


1 FRAMING PLAN
1/8" = 1'-0"



3 TOWER TRUSS FRAMING PLAN
1/8" = 1'-0"



2 TOWER FRAMING PLAN
1/8" = 1'-0"

Order Plans @



Cuhaci & Peterson
Engineers
Architects
1925 Prospect Avenue, Orlando, FL 32814
Phone: 407.464.1111 Fax: 407.464.1111

CLIENT NAME
WAWA
260 WEST BALTIMORE PIKE
WAWA, PENNSYLVANIA 19063

PROJECT NAME
WAWA F110L 2018.01 STORE #5337 - MRC
SE MARICAMP RD. & SE 24th ST.
OCALA, FL

Revision Schedule	
No.	Date
1	01/26/2017
2	02/02/2017
3	02/02/2017
4	02/02/2017
5	02/02/2017
6	02/02/2017
7	02/02/2017
8	02/02/2017
9	02/02/2017
10	02/02/2017
11	02/02/2017
12	02/02/2017
13	02/02/2017
14	02/02/2017

PROJECT NO. 217050
DATE 08/04/2017
DRAWN BY WAWA
CHECKED BY JI