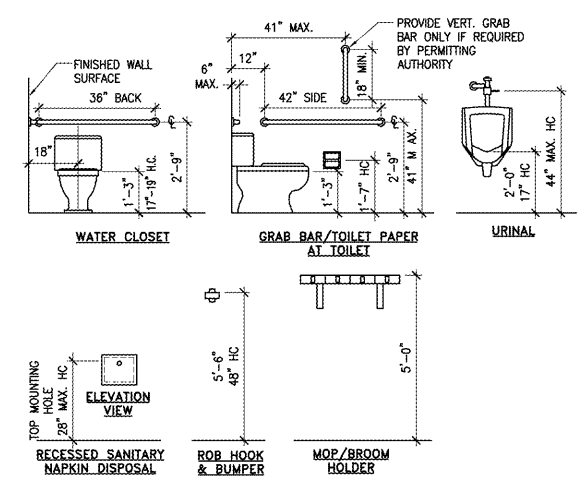


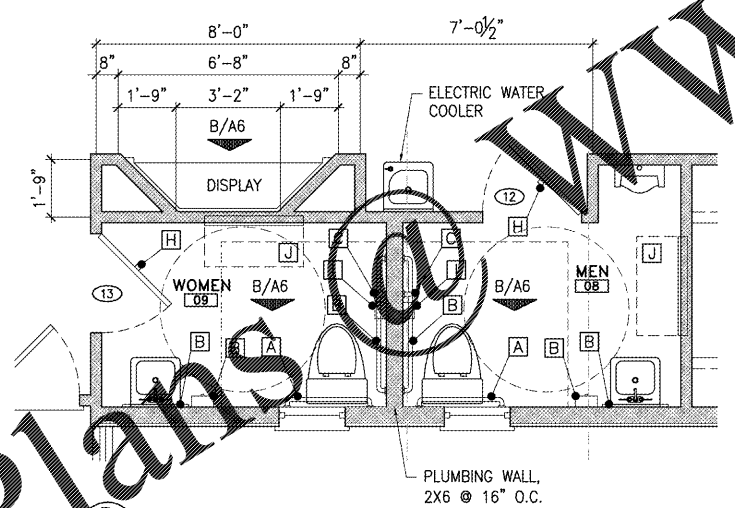
A DOOR TYPES
A4 SCALE: 1/4" = 1'-0"

B WINDOW TYPES
A4 SCALE: 1/4" = 1'-0"

NOTE: PROVIDE VINYL WINDOWS BY 'PGT WINDOWS' AVAILABLE AT BARNETT MILLWORKS - 251-443-7710 OR APPROVED EQUAL



C TYPICAL MOUNTING HEIGHTS AND CLEARANCES
A4 SCALE: N.T.S.



D ENLARGED PLAN
A4 SCALE: 3/8" = 1'-0"

NUMBER	SIZE	TYP.	DOOR MATERIAL	FRAME MATERIAL	HARDWARE SET	REMARKS
1	2'-0" X 6'-8" X 1 3/4" PR	1	WSC	WOOD	1	
2	3'-0" X 6'-8" X 1 3/4" PR	4	WSC	WOOD	4	
3	3'-0" X 6'-8" X 1 3/4"	3	WSC	WOOD	5	
4	3'-0" X 6'-8" X 1 3/4"	3	WSC	WOOD	6	
5	3'-0" X 6'-8" X 1 3/4"	3	WSC	WOOD	7	
6	2'-8" X 6'-8" X 1 3/4"	3	WSC	WOOD	8	
7	3'-0" X 6'-8" X 1 3/4"	3	WSC	WOOD	9	
8	3'-0" X 6'-8" X 1 3/4"	3	WSC	WOOD	9	
9	3'-0" X 6'-8" X 1 3/4"	3	WSC	WOOD	12	
10	3'-0" X 6'-8" X 1 3/4"	3	WSC	WOOD	7	
11	2'-8" X 6'-8" X 1 3/4"	3	WSC	WOOD	5	
12	3'-0" X 6'-8" X 1 3/4"	3	WSC	WOOD	9	
13	3'-0" X 6'-8" X 1 3/4"	3	WSC	WOOD	9	
14	3'-0" X 6'-8" X 1 3/4"	2	WSC	WOOD	3	
15	3'-0" X 6'-8" X 1 3/4"	3	WSC	WOOD	11	
16	3'-0" X 6'-8" X 1 3/4"	3	WSC	WOOD	12	
17	3'-0" X 6'-8" X 1 3/4"	3	WSC	WOOD	12	
18	11'-4" X 9'-0"	5	VINYL	MTL	13	ACCORDION WALL PARTITION (SEE SPECS)
19	11'-4" X 9'-0"	5	VINYL	MTL	13	ACCORDION WALL PARTITION (SEE SPECS)
20	3'-0" X 6'-8" X 1 3/4"	2	WSC	WOOD	2	
21	12'-4" X 9'-0"	6	VINYL	MTL	13	ACCORDION WALL PARTITION (SEE SPECS)
22	3'-0" X 6'-8" X 1 3/4"	3	WSC	WOOD	10	
23	2'-0" X 6'-8" X 1 3/4"	3	WSC	WOOD	5	
24	3'-0" X 6'-8" X 1 3/4"	7	MTL	WOOD	14	

RM. NO.	RM. NAME	FLOOR	BASE	WALLS	CEILING	REMARKS
01	NARTHEX	LVT (SEE FOOTNOTE)	RUBBER	PTD. GYP. BD.	PTD. GYP. BD.	
02	NAVE	CARPET	RUBBER	PTD. GYP. BD.	PTD. GYP. BD. / EXPOSED	'HOMEROOM' BY 'PATCRAFT'-BRDLOOM
03	SACRISTY	LVT (SEE FOOTNOTE)	RUBBER	PTD. GYP. BD.	SUSP. ACST. TILE	
04	CONFESSIONAL	LVT (SEE FOOTNOTE)	RUBBER	PTD. GYP. BD.	SUSP. ACST. TILE	
05	CRY ROOM	LVT (SEE FOOTNOTE)	RUBBER	PTD. GYP. BD.	SUSP. ACST. TILE	
06	ALTAR SERVERS	LVT (SEE FOOTNOTE)	RUBBER	PTD. GYP. BD.	SUSP. ACST. TILE	
07	CORRIDOR	LVT (SEE FOOTNOTE)	RUBBER	PTD. GYP. BD.	SUSP. ACST. TILE	
08	MEN	LVT (SEE FOOTNOTE)	RUBBER	PTD. GYP. BD.	SUSP. ACST. TILE	MOISTURE RESISTANT
09	WOMEN	LVT (SEE FOOTNOTE)	RUBBER	PTD. GYP. BD.	SUSP. ACST. TILE	MOISTURE RESISTANT
10	STORAGE	LVT (SEE FOOTNOTE)	RUBBER	PTD. GYP. BD.	SUSP. ACST. TILE	
11	CLASSROOM 1	LVT (SEE FOOTNOTE)	RUBBER	PTD. GYP. BD.	SUSP. ACST. TILE	
12	CLASSROOM 2	LVT (SEE FOOTNOTE)	RUBBER	PTD. GYP. BD.	SUSP. ACST. TILE	
13	FOOD PREP.	LVT (SEE FOOTNOTE)	RUBBER	EXIST. / PTD. GYP. BD.	PAINT EXIST CEIL'G SEMI-GL	
14	MEETING / SEATING	CARPET	RUBBER	EXIST. / PTD. GYP. BD.	PAINT EXIST. CEILING	PATCH CEIL'G AT LIGHT FIXT REMVL 'HOMEROOM' BY 'PATCRAFT'-BRDLOOM

LVT - DIRECT GLUE DOWN VINYL FLOORING. 4"X36"X0.12" 'CLASSIC PLANK' (ECK). 'EVENT SERIES' BY 'TANDUS CENTIVA'
PAINTING OF EXISTING CEILING IN NAVE 02 IS NOT REQUIRED; ONLY NEW WORK IS TO BE PAINTED

ITEM	DESCRIPTION	MANUFACTURE - MODEL NO.	REMARKS
A	GRAB BAR - 36"	BOBRICK B-6806 SERIES	
B	GRAB BAR - 42"	BOBRICK B-6806 SERIES	
C	GRAB BAR - VERT. 18"	BOBRICK B-6806 SERIES	
D	MIRROR - 24"x36"	BOBRICK B-290 SERIES	
E	MOP RACK - 36" LENGTH	BOBRICK B-223x36	
F	NAPKIN DISPOSAL	BOBRICK B-270	
G	SOAP DISPENSER	BOBRICK B-2112	
H	ROBE HOOK	BOBRICK B-7671	INSIDE STALL
I	TOILET PAPER HOLDER	BOBRICK B-265	
J	RECESSED FOLD-UP BABY CHANGING STATION	-	CONTRACTOR TO PROVIDE ALL NECESSARY BLOCKING