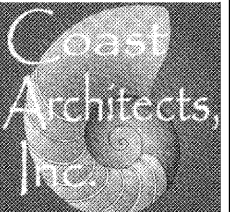


Lewis Engineering & Associates, Inc.
1621 S. University Blvd., Suite A-3 Mobile, AL 36609
Office: (251) 666-9221 Cell: (251) 751-7466
keny@lewiseng.com



ARCHITECTURE
PLANNING
PROJECT MANAGEMENT

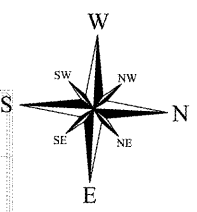
6425 Jordan Road
Daphne, AL 36526
Ph 251-433-0217 Fx 251-433-0218

ADDITIONS
TO
ST. JOHN'S CATHOLIC CHURCH
7488 HERMAN SLEDGE RD. BROMLEY, AL



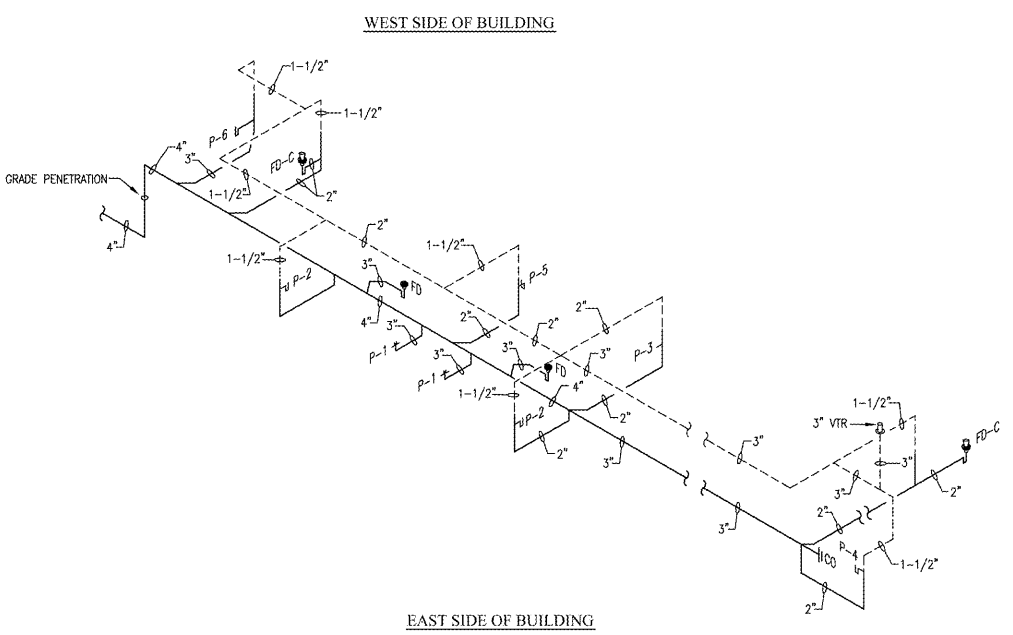
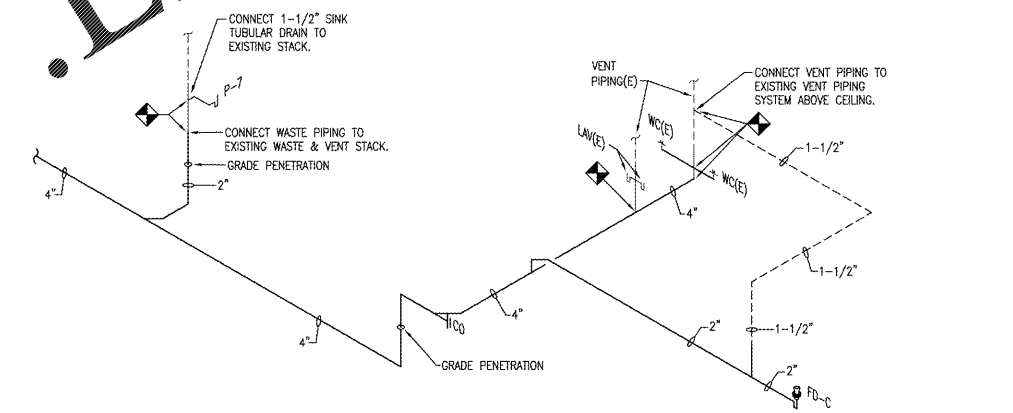
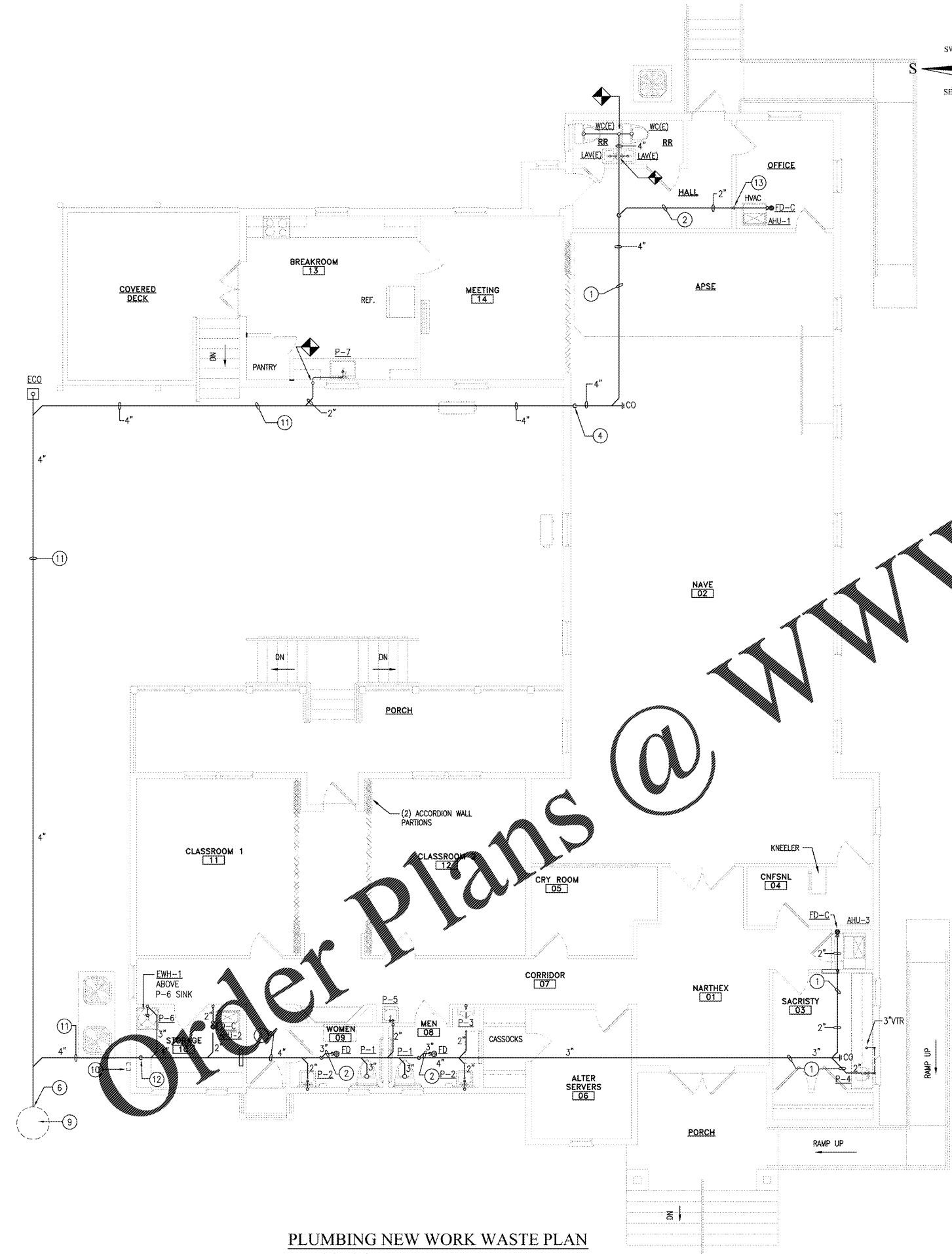
PROJECT #: L1830
DATE: 8/15/18
DRAWN: WDC
CHECKED: KLL
TITLE: PLUMBING NEW WORK WASTE PLAN
REVISION:
NO. DATE:
SHEET:

P3



NEW WORK KEYNOTES

- ① ROUTE DRAINAGE PIPING AS HIGH AS POSSIBLE, BELOW FLOOR FRAMING, AT REQUIRED SLOPE.
- ② ROUTE DRAINAGE PIPING WITHIN FLOOR JOIST, AT REQUIRED SLOPE, AS HIGH AS POSSIBLE BELOW FLOOR DECKING.
- ③ ROUTE VENT STACK PIPING UP IN WALL.
- ④ TURN 4" PIPING DOWN TO BELOW GRADE, CONNECT TO DRAINAGE PIPING.
- ⑤ TURN DOWN WASTE PIPING TO BELOW GRADE. ROUTE AND CONNECT TO BUILDING DRAIN AT REQUIRED SLOPE AND DEPTH.
- ⑥ CONNECT PIPING TO LIFT STATION BASIN, PROVIDED BY OTHERS. REFERENCE CIVIL UTILITY SITE PLAN FOR LIFT STATION INFORMATION.
- ⑦ TURN DOWN WASTE PIPING TO BELOW GRADE, CONNECT TO EXISTING RESTROOM NEW WASTE PIPING.
- ⑧ CONNECT NEW 4" WASTE PIPING TO EXISTING WASTE PIPING BELOW EXISTING RESTROOMS.
- ⑨ SEWAGE LIFT STATION W/ DUPLEX GRINDER PUMPS. (BY OTHERS)
- ⑩ SEWAGE LIFT STATION CONTROL PANEL W/ ALARM. (BY OTHERS)
- ⑪ ROUTE WASTE PIPING BELOW GRADE.
- ⑫ TURN DOWN 4" WASTE PIPING TO BELOW GRADE.
- ⑬ ROUTE 1-1/2" VENT PIPING UP TO ABOVE CEILING. CONNECT TO EXISTING PLUMBING VENT SYSTEM.



PLUMBING NEW WORK WASTE PLAN
SCALE: 3/16" = 1'-0"

DWV PIPING RISER DIAGRAM
NOT TO SCALE

Order Plans @ www.LDOnline.com