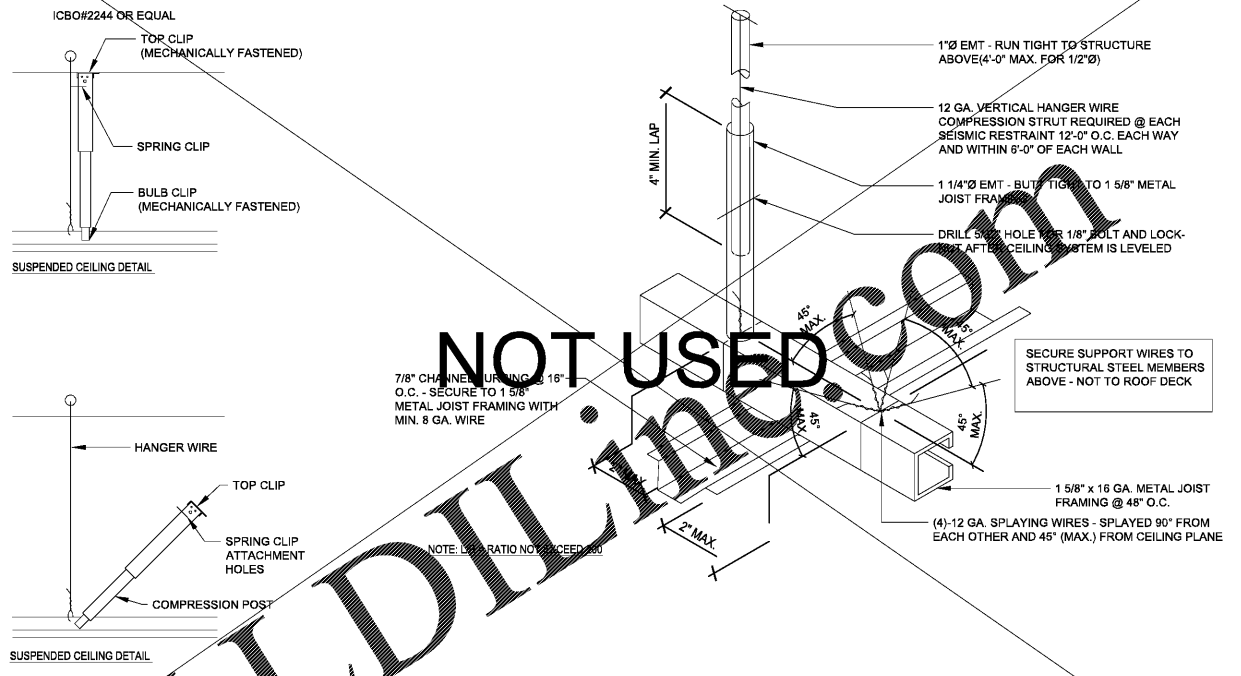
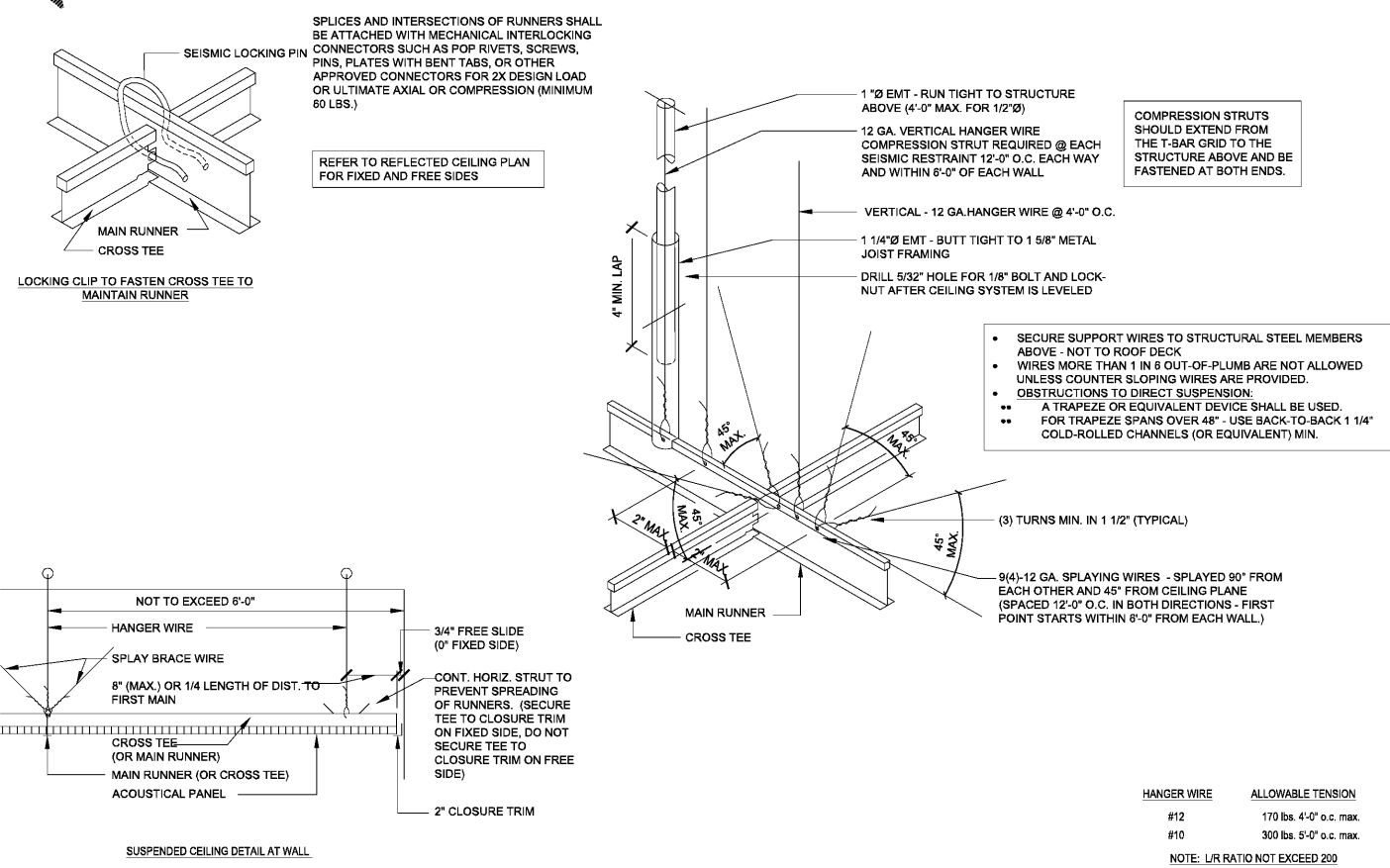


Order Plans @ WWW.LDILLING.COM



10' 1/4" GYP. BOARD SUSPENDED CEILING SYSTEM - SEISMIC



2 LAY-IN SUSPENDED CEILING SYSTEM - SEISMIC
1/4" = 1'-0"

DATE	REVISION
BIG LOTS STORES, INC. STORE PLANNING DEPT. 4900 E. DUBLIN GRANVILLE RD COLUMBUS, OHIO 43081 PHONE: (614) 278-6800	
DATE DRAWN:	04-02-19
DRAWN BY:	F.A.
F.A.	SCALE: 3/32" = 1'-0"
SQUARE FOOTAGE	SqFt
A168	25,685
SALES FLOOR	39,910
TOTAL BUILDING	
BIG LOTS 14154 E. WADE HAMPTON BLVD. GREER, SOUTH CAROLINA 29651	

