

BASIC WIRING REQUIREMENTS

- PLEASE REVIEW SPECIFICATIONS BELOW AND REFER TO SHEET E-1 FOR DESIGNATED LOCATIONS. NO ADDITIONS OR CHANGES TO THIS SCOPE OF WORK CAN BE MADE WITHOUT PRE-APPROVAL BY AUTHORIZED BIG LOTS REPRESENTATIVE.

ANY QUESTIONS PLEASE CALL: 614-278-6719 or 614-278-6946. THANK YOU FOR YOUR ATTENTION IN THIS MATTER.

TABLE OF CONTENTS

- CASHWRAP CABINETS/FURNITURE CABINETS
EXTERIOR SIGNS
AUTOMATIC DOORS
CONVENIENCE RECEPTACLE
CORD REELS / SEASONAL OUTLET
ELECTRICAL WATER HEATER
CASH ROOM
EMPLOYEE LOUNGE
MANAGER OFFICE
BALER
BEVERAGE COOLER
DOORBELL
PHONE SYSTEM & ALARM BOARD
PVM OUTLET
STORE LIGHTING
DOCK LIGHT
WATER COOLER
HAND DRYER
MOTION SENSOR
VOTAGE CEILING SENSOR
EAS
FREEZER/COOLER

1) CASHWRAP CABINETS / FURNITURE CABINETS

CONTRACTOR TO PROVIDE ONE (1) 120V/20AMP DEDICATED GROUND CIRCUIT (IDENTIFIED ON DIAGRAM AS I.G.) AND TWO (2) 120V/20AMP CONVENIENCE CIRCUITS (IDENTIFIED ON DIAGRAM AS A & B). ALL CIRCUITS TO HAVE BREAKER LOCKS, FOR EACH CASHWRAP CABINET WITHIN THE STORE.

CASHWRAP CABINETS

- EACH CABINET TO BE SUPPLIED ELECTRICAL CONDUCTORS VIA 2.25" X 2.25" TWIN CHANNEL TELE-POWER POLE FROM OVERHEAD TO THE CABINET. LENGTH OF TELE-POWER POLE TO BE DETERMINED BY THE CEILING/DECK HEIGHT.

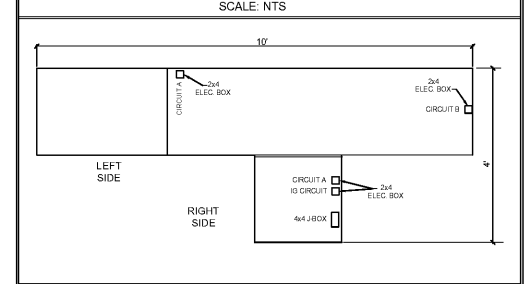
IN THE EVENT THAT THE CABINETS DO NOT CONTAIN ELECTRICAL BOXES, CONDUIT, AND DEVICES, THE CONTRACTOR IS TO SUPPLY AND INSTALL THE FOLLOWING COMPONENTS PER THE DIAGRAM BELOW.

EACH CABINET REQUIRES:

- ONE (1) 4"x4" JUNCTION BOX
FOUR (4) 2"x4" ELECTRICAL BOXES
ONE (1) NEMA L5-15R ORANGE TWISTLOCK RECEPTACLE (HUBBELL IG4700A 2 POLE 3 WIRE GROUNDING 15A/125VAC)

Table with 2 columns: DESCRIPTION, CATALOG NUMBER. Includes SPECIAL PURPOSE DUPLEX RECEPTACLES BACK AND SIDE WIRED and NEMA L5 15R 15A 125V UL/CSA 0.5 HP.

FRONT END CHECKOUT WIRING SCALE: NTS



FURNITURE CABINET

- CONTRACTOR TO PROVIDE ONE (1) 120V/20AMP DEDICATED GROUND CIRCUIT (IDENTIFIED ON DIAGRAM AS I.G.) AND ONE (1) 120V/20AMP CONVENIENCE CIRCUIT (IDENTIFIED ON DIAGRAM AS A). ALL CIRCUITS TO HAVE BREAKER LOCKS, FOR THE FURNITURE CASHWRAP CABINET.

IN THE EVENT THAT THE CABINET DOES NOT CONTAIN ELECTRICAL BOXES, CONDUIT, AND DEVICES THE CONTRACTOR IS TO SUPPLY AND INSTALL THE FOLLOWING COMPONENTS PER THE DIAGRAM BELOW.

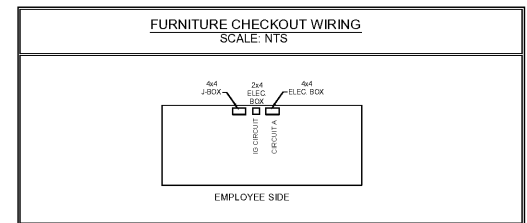
EACH CABINET REQUIRES:

- ONE (1) 4"x4" JUNCTION BOX
ONE (1) 4"x4" ELECTRICAL BOX
ONE (1) 2"x4" ELECTRICAL BOX
ONE (1) NEMA L5-15R ORANGE TWISTLOCK RECEPTACLE (HUBBELL IG4700A 2 POLE 3 WIRE GROUNDING 15A/125VAC)

POS/CASH REGISTER NOTES:

*NOTE: UNDER NO CIRCUMSTANCES IS ANYTHING TO BE WIRED INTO THE I.G. RECEPTACLES. THESE ARE FOR THE DESIGNATED CASH REGISTER TWIST LOCK PLUGS ONLY! NOTE: THE GROUND WIRE IS TO TERMINATE AT THIS PANEL.

*NOTE: DROPS TO EACH OF THE DESIGNATED CHECK-OUTS SHOULD BE RUN IN BLACK 2 CHANNEL TELE-POLES. I.G. CIRCUITS AND CONVENIENCE CIRCUITS ARE TO BE FED THROUGH THE SAME DROP.



2) EXTERIOR SIGNS:

CONTRACTOR TO PROVIDE FOR EACH BUILDING SIGN LOCATION, ONE (1) 120V/20amp CIRCUIT AND CONTROLLED BY EMS EQUIPMENT. REFER TO E-1 & E-6 SHEETS FOR CIRCUIT AND CONTACTOR INFORMATION.

ELECTRICAL CONTRACTOR TO VERIFY ELECTRICAL SOURCE AND OPERATION OF PYLON IS ADEQUATE FOR TENANTS INTENDED USE.

3) AUTOMATIC DOOR OPERATORS:

CONTRACTOR TO PROVIDE ONE (1) 120V/20amp CIRCUIT TO EACH ENTRY AND EXIT STOREFRONT DOOR LOCATION. TYPICALLY FOUR (4) LOCATIONS. CIRCUITS TO TERMINATE TO A 2x4 BOX w/COVER PLATE AT THE HEADER LOCATION OF EACH DOOR.

4) CONVENIENCE RECEPTACLE :

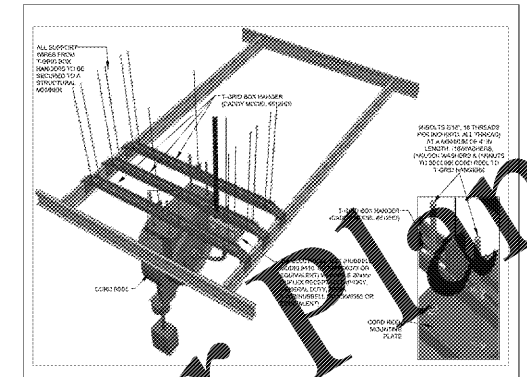
CONTRACTOR TO PROVIDE ONE (1) 120V/20amp CIRCUIT. CIRCUIT TO SUPPLY TWO (2) NEMA 5-20R GENERAL DUTY DUPLEX RECEPTACLE (HUBBELL HBL 5352, OR EQUIVALENT). RECEPTACLES TO BE MOUNTED 18" AFF (OR 48" AFF IF MOUNTED TO A COLUMN).

5A) CORD REELS:

CONTRACTOR TO PROVIDE ONE (1) 120V/20amp CIRCUIT. CIRCUIT TO SUPPLY ONE (1) NEMA 5-20R GENERAL DUTY DUPLEX RECEPTACLE. FLUSH MOUNTED IN CEILING AT EACH DESIGNATED CORD REEL LOCATION. CONTRACTOR TO INSTALL A CORD REEL AT EACH LOCATION PER THE DIAGRAM BELOW.

CORD REEL DETAILS AND SPECIFICATIONS:

- ALEMITE CORD REEL MODEL 7260 OR EQUIVALENT TO BE:
COMMERCIAL GRADE
20 AMP
UL RATED
45 CORD
GFCI RECEPTACLE



5B) SEASONAL OUTLET:

CONTRACTOR TO PROVIDE ONE (1) 120V/20AMP CIRCUIT. CIRCUIT TO SUPPLY TWO (2) NEMA 5-20R GENERAL DUTY DUPLEX RECEPTACLES (HUBBELL HBL 5352, OR EQUIVALENT) WITHIN A 4" BOX MOUNTED @ 10'-0" A.F.F.

6) ELECTRICAL WATER HEATER

CONTRACTOR TO PROVIDE (1) 120 VOLT / 35 AMP SINGLE POLE CIRCUIT FOR 20 GALLON - 3KW ELECTRICAL WATER HEATER.

7) CASH ROOM:

CONTRACTOR TO PROVIDE ONE (1) 120v/20amp CIRCUIT. CIRCUIT TO SUPPLY TWO (2) NEMA 5-20R DUPLEX RECEPTACLES (HUBBELL HBL 5352, OR EQUIVALENT) WITHIN A 4" BOX MOUNTED @ 36" A.F.F. DIRECTLY ABOVE THE COUNTERTOP MOUNTED AT 30" A.F.F.

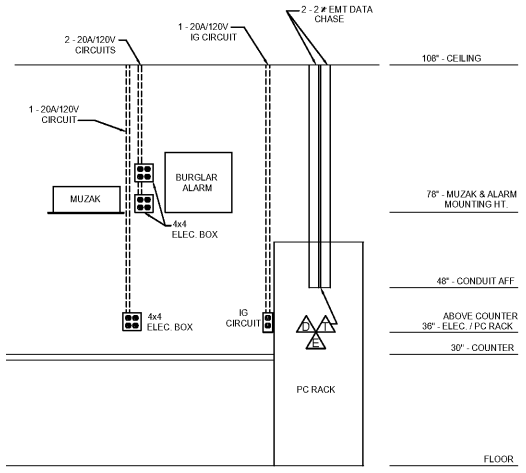
CONTRACTOR TO PROVIDE ONE (1) 120v/20amp DEDICATED GROUND CIRCUIT. CIRCUIT TO SUPPLY ONE (1) NEMA 5-20R ORANGE DEDICATED GROUND DUPLEX RECEPTACLES (HUBBELL CR5352IG), RECEPTACLES TO BE MOUNTED @ 36" A.F.F. DIRECTLY ABOVE THE COUNTERTOP MOUNTED AT 30" A.F.F.

CONTRACTOR TO PROVIDE AN EMS/TELE/DATA/CAT-5 ROUGH-IN, PROVIDE TWO (2) 2 1/2" SURFACE MOUNTED CONDUITS AT 48" A.F.F. TO ABOVE CEILING TO THE NEAREST ACCESSIBLE OFFICE CEILING. PROVIDE PLASTIC BUSHINGS AND PULL STRING IN CONDUIT. THIS ROUGH-IN TO BE UTILIZED BY THE EMS, TELEPHONE, TELECOM & I.T. CONTRACTOR AT A LATER DATE.

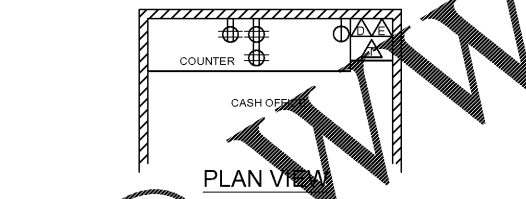
BURGLAR ALARM & MUZAK SYSTEMS:

ALARM - CONTRACTOR TO PROVIDE ONE(1) 120V/20A CIRCUIT TO SUPPLY TWO(2) NEMA 5-20R DUPLEX RECEPTACLES (HUBBLE HBL 5352 OR EQUIVALENT) WITHIN A 4" BOX @ 84" AFF, CIRCUIT TO HAVE BREAKER.

MUZAK - CONTRACTOR TO PROVIDE ONE(1) 120V/20A CIRCUIT TO SUPPLY TWO(2) NEMA 5-20R DUPLEX RECEPTACLES (HUBBLE HBL 5352 OR EQUIVALENT) WITHIN A 4" BOX @ 78" AFF, CIRCUIT TO HAVE BREAKER.



ELEVATION VIEW



PLAN VIEW

8) EMPLOYEE LOUNGE:

CONTRACTOR TO PROVIDE FOUR (4) 120V/20 amp CIRCUITS. CIRCUITS TO SUPPLY NEMA 5-20R GENERAL DUTY DUPLEX RECEPTACLES (HUBBELL HBL 5352 OR EQUIVALENT).

9) MANAGER OFFICE:

CONTRACTOR TO PROVIDE TWO (2) 120V/20 AMP CIRCUITS. CIRCUITS TO SUPPLY TWO (2) NEMA 5-20R GENERAL DUTY DUPLEX RECEPTACLES (HBL HBL 5352, OR EQUIVALENT)

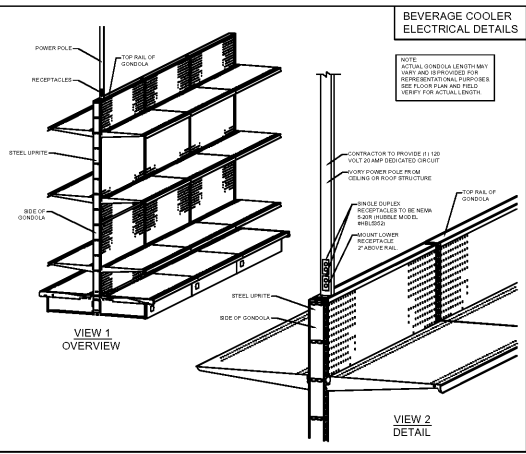
10) BALER OR COMPACTOR:

CONTRACTOR TO PROVIDE - IF 277/480V SERVICE IS AVAILABLE - PROVIDE ONE (1) 480V/30 AMP, 3 PHASE CIRCUIT. CIRCUIT TO SUPPLY ONE (1) 30 AMP FUSED DISCONNECT

- IF 120/208V SERVICE IS AVAILABLE - PROVIDE ONE (1) 208/60 AMP, 3 PHASE CIRCUIT. CIRCUIT TO SUPPLY ONE (1) 60 AMP FUSED DISCONNECT

11) BEVERAGE COOLERS:

CONTRACTOR TO PROVIDE - (1) 120 VOLT 20 AMP DEDICATED CIRCUIT. (1) IVORY COLOR POWER POLE WITH (2) INTERNAL 20 AMP DUPLEX RECEPTACLES (NEMA 5-20R, HUBBLE MODEL #HBL5352)



12) DOOR BELLS:

CONTRACTOR TO PROVIDE TWO (2) 24v. COMMERCIAL GRADE DOORBELLS. MINIMUM OF 90db. ONE (1) AT THE RECEIVING DOOR AND ONE (1) AT THE STOREFRONT DOORS.

13) PHONE SYSTEM:

CONTRACTOR TO PROVIDE TWO (2) 120V/20amp CIRCUITS. CIRCUITS TO SUPPLY TWO (2) NEMA 5-20R DUPLEX RECEPTACLES (HUBBELL HBL 5352 OR EQUIVALENT) WITHIN A 4" BOX (DOUBLE DUPLEX) ALL CIRCUITS TO HAVE BREAKER LOCKS.

14) PVM OUTLET:

CONTRACTOR TO PROVIDE ONE (1) 120V/20AMP CIRCUIT. CIRCUIT TO SUPPLY ONE (1) NEMA 5-20R GENERAL DUTY DUPLEX RECEPTACLE (HUBBELL HBL 5352, OR EQUIVALENT). RECEPTACLE TO BE MOUNTED TO BOTTOM OF BAR JOIST, 3 FROM MAIN EXIT DOOR.

15) STORE LIGHTING:

CONTRACTOR TO LABEL BREAKERS WITH DESCRIPTION AND AMP DRAW PER CIRCUIT.

WIRING INSTRUCTIONS ARE AS FOLLOWS. CONTRACTOR TO WIRE EVERY OTHER FIXTURE AND EVERY OTHER ROW ON A SEPARATE CIRCUIT BREAKER ON SALES FLOOR AND STOCK ROOM. CIRCUIT BREAKERS ARE TO BE GROUPED BY CONTRACTOR THE FOLLOWING WAY: EMPLOYEE CONTACTOR (CONTROLS ALL OFFICE, CASH, COUNT, BATHROOMS, RECEIVING AREA, AND STOCK ROOM. GROUP A 25% CONTACTOR (CONTROLS APPROXIMATELY THE NEXT 25% OF SALES FLOOR LIGHTS); GROUP B 50% CONTACTOR, (CONTROLS THE NEXT 25% OF SALES FLOOR LIGHTING); GROUP C 75% CONTACTOR, (CONTROLS THE NEXT 25% OF SALES FLOOR LIGHTING); GROUP D 100% CONTACTOR (CONTROLS THE BALANCE 25% OF SALES FLOOR LIGHTING); GROUP E CONTACTOR EXTERIOR SIGNS (CONTROLS ALL EXTERIOR BUILDING SIGNS INCLUDING Pylon SIGN); GROUP F CONTACTOR (CONTROLS ANY WALL PACK LIGHTING, PARKING LOT LIGHTING AND CANOPY LIGHTING NOT CONTROLLED BY LANDLORD).

16) DOCK LIGHT (if applicable):

CONTRACTOR TO PROVIDE ONE (1) 120V/20 AMP CIRCUIT. CIRCUIT TO SUPPLY NEMA 5-20R GENERAL DUTY DUPLEX RECEPTACLE (HUBBELL HBL 5352, OR EQUIVALENT). SWITCH REQUIRED AT RECEPTACLE LOCATION. MOUNT RECEPTACLE/SWITCH @ 48" A.F.F. BETWEEN DOORS OR WITHIN 12" OF DOOR FRAME.

17) WATER COOLER:

CONTRACTOR TO PROVIDE ONE (1) 120V/20 AMP CIRCUIT. CIRCUIT TO SUPPLY A ELKAY MODEL EZ33BL1500 WATER COOLER MOUNTED UNDER ALL LOCAL, STATE, FEDERAL AND ADA CODES OR REGULATIONS.

18) HAND DRYER:

CONTRACTOR TO PROVIDE TWO HAND DRYERS AND ONE (1) 120V/20 AMP CIRCUIT (per unit). CIRCUIT TO SUPPLY A HANNOY MODEL 9733A HAND DRYER, MOUNTED PER ALL LOCAL, STATE, FEDERAL AND ADA CODES OR REGULATIONS.

19) MOTION SENSOR SWITCHES:

INSTALL LEVITON MDS10 - 1DW OR LEVITON OSSMD-FM MOTION SENSOR SWITCHES AS INDICATED ON LIGHTING PLAN. SEE SHEET E-5 FOR WIRING DIAGRAM

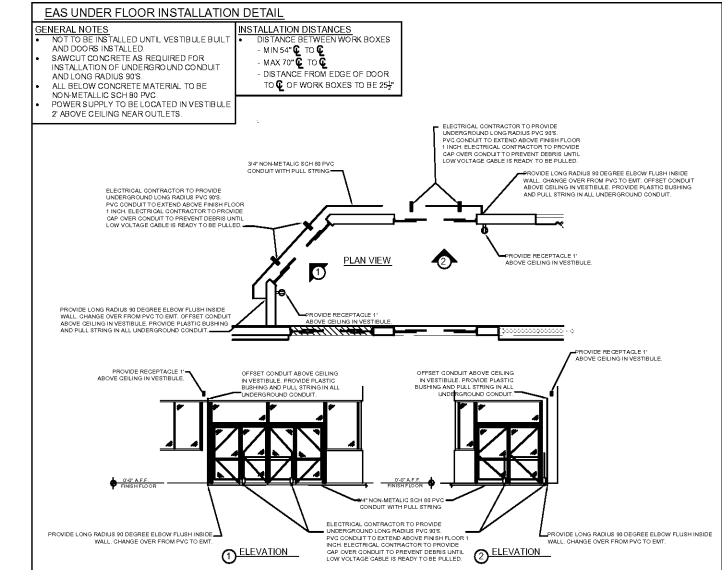
20) VOLTAGE SENSING SENSOR:

INSTALL VOLTAGE SENSING SENSOR - MICROSET DUAL TECH LOW VOLTAGE CEILING SENSOR AS INDICATED ON LIGHTING PLAN. SEE SHEET E-5 FOR WIRING DIAGRAM

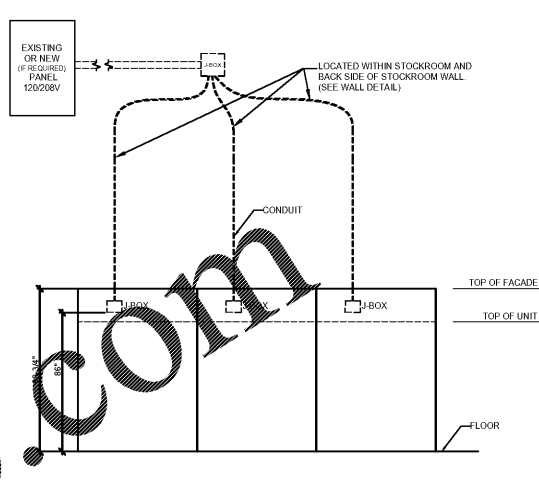
21) ELECTRONIC ARTICLE SURVEILLANCE (EAS):

CONTRACTOR TO PROVIDE ONE (1) 120V/20 AMP DEDICATED CIRCUIT FOR ALL EAS SYSTEM. RECEPTACLES TO BE LOCATED AS SHOWN ON SHEET E-1 AND MOUNTED AT 14" AFF. CONTRACTOR TO PROVIDE A BREAKER LOCK AT PANEL.

SEE BELOW FOR INSTALLATION DETAIL.



22) FREEZER/COOLERS:



FREEZER / COOLER

- PROVIDE FOR EACH 3 AND 4 DOOR FREEZER UNIT
1 - 30AMP / 2 POLE / 208V / SINGLE PHASE CIRCUIT WITH GROUND AND NEUTRAL
PROVIDE FOR EACH 3 DOOR COOLER UNIT
1 - 25AMP / 1 POLE / 120V / SINGLE PHASE CIRCUIT WITH NEUTRAL AND GROUND

INSTALL FROM EXISTING 120-208V PANEL THROUGH A SINGLE CONDUIT TO A J-BOX LOCATED IN GENERAL AREA OF FREEZER / COOLER LOCATION. BRANCH DESIGNATED CIRCUIT FROM J-BOX THROUGH CONDUIT ON STOCKROOM SIDE OF STOCKROOM WALL. PENETRATE THROUGH WALL TO J-BOX ON SALES AREA SIDE OF STOCKROOM WALL. BOTTOM OF J-BOX TO BE AT 88" A.F.F.

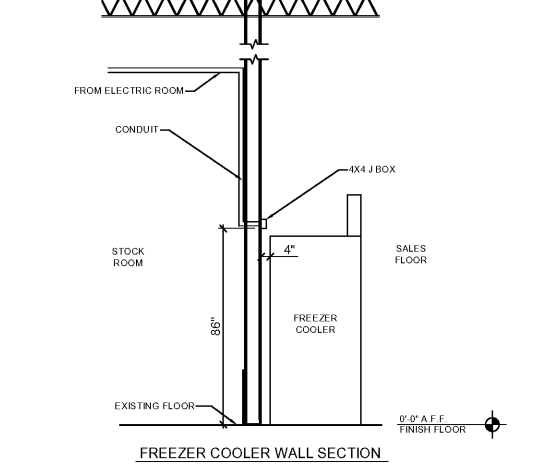
ELECTRICIAN TO MARK EACH FREEZER/COOLER POWER POLE WITH PANEL AND BREAKER NUMBER.

FREEZER / COOLER INSTALLER TO SIZE ALL CONDUCTORS PER CODE TO ACCOMMODATE CALCULATED VOLTAGE DROPS AND MOTOR REQUIREMENTS (SEE FREEZER / COOLER OUT SHEETS FOR MOTOR START / RUN AMPERAGE REQUIREMENTS).

ELECTRICIAN TO PULL AND STRAP A SENSOR CABLE TO CONDUIT FEED FROM EMS PANEL SLP TO EACH FREEZER AND COOLER. SENSOR CABLE TYPE TO BE 18 AWG / 2 CONDUCTOR THAT IS SHIELDED, STRANDED, PLENUM RATED. ONE OF THE FOLLOWING MANUFACTURER MODELS ACCEPTABLE.

FREEZER / COOLER INSTALLER TO MAKE FINAL CONNECTIONS FROM POWER POLE / J-BOX CIRCUITRY TO FREEZER / COOLER CONNECTION TERMINALS.

NOTE: ALL UNITS ARE FULLY SELF-CONTAINED AND REQUIRE NO FLOOR DRAINS.



Freezer cooler equipment schedule table with columns: UNIT, TYPE, DESCRIPTION. Lists Husmann RF1NS-3, RFMS-3, and RFMS-3 models.

Project information sidebar including Big Lots logo, address (14154 E. Wade Hampton Blvd., Greer, South Carolina 29615), square footage, date drawn (04-02-19), and a South Carolina Professional Engineer seal for Big Lots Stores, Inc.