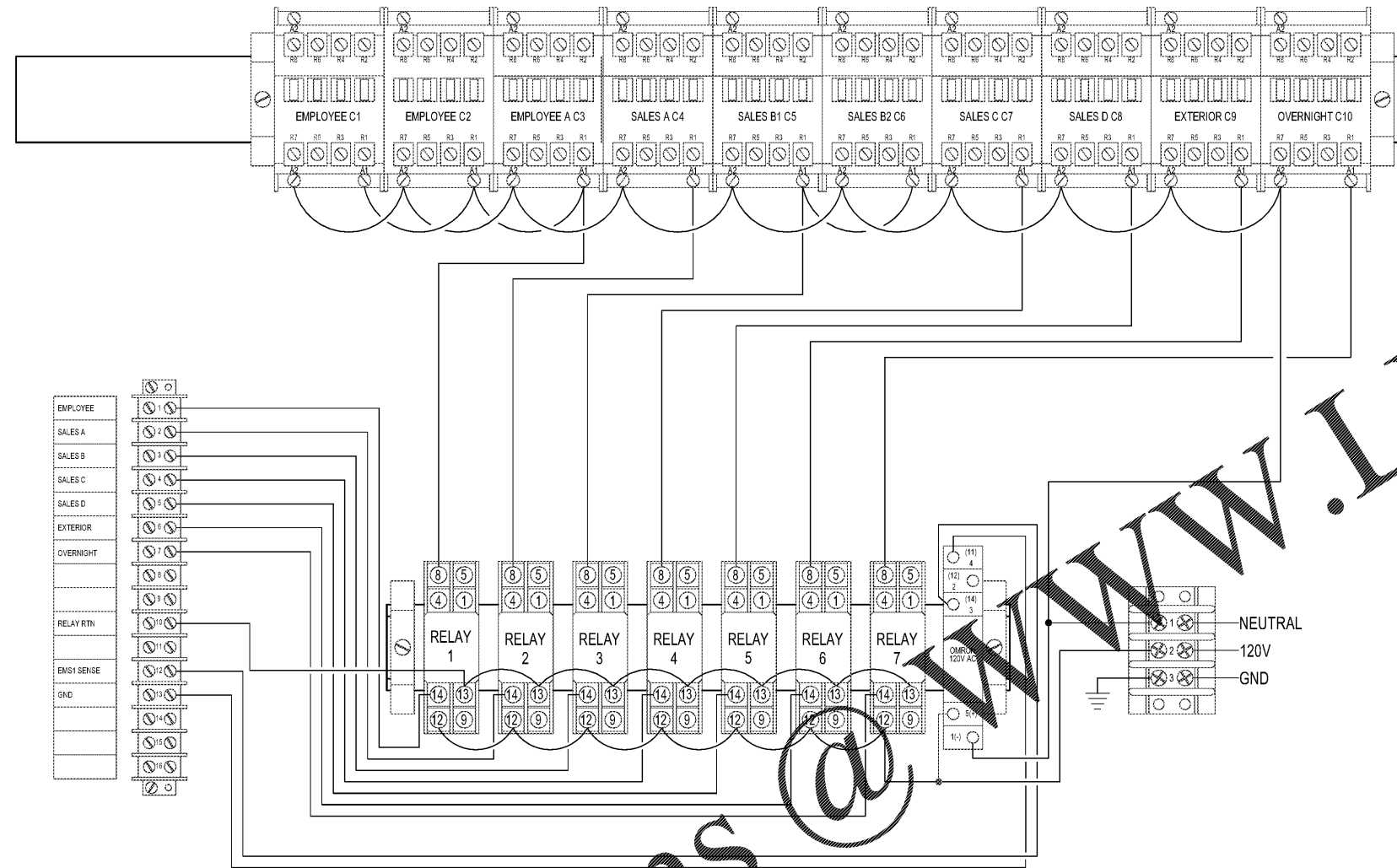


(LCP) LIGHTING CONTROL PANEL - CONTACTOR SCHEDULE

EMPLOYEE CONTACTOR 1		EMPLOYEE CONTACTOR 2		EMPLOYEE CONTACTOR 3		SALES A CONTACTOR 4		SALES B1 CONTACTOR 5		SALES B2 CONTACTOR 6		SALES C CONTACTOR 7		SALES D CONTACTOR 8		EXTERIOR CONTACTOR 9		OVERNIGHT CONTACTOR 10	
CIRCUIT	TERMINAL	CIRCUIT	TERMINAL	CIRCUIT	TERMINAL	CIRCUIT	TERMINAL	CIRCUIT	TERMINAL	CIRCUIT	TERMINAL	CIRCUIT	TERMINAL	CIRCUIT	TERMINAL	CIRCUIT	TERMINAL	CIRCUIT	TERMINAL
EE	R2	BB	R2	AA	R2	A	R2	B	R2	R	R2	C	R2	D	R2	XX	R2	HH	R2
FF	R4	DD	R4	CC	R4	E	R4	F	R4		R4	G	R4	H	R4		R4		R4
GG	R6	KK	R6	JJ	R6	I	R6	J	R6		R6	K	R6	L	R6		R6		R6
	R8	MM	R8	LL	R8	Q	R8	N	R8		R8	O	R8	P	R8		R8		R8

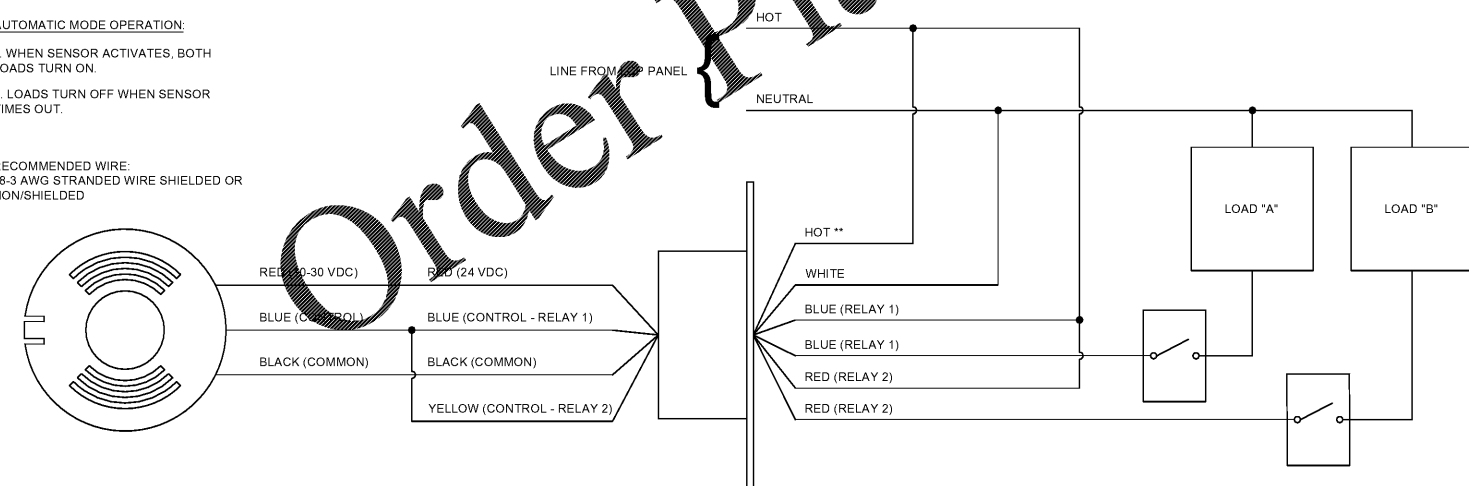
STORE LIGHTING:
 CONTRACTOR TO LABEL BREAKERS WITH DESCRIPTION AND AMP DRAW PER CIRCUIT.
 WIRING INSTRUCTIONS ARE AS FOLLOWS: CONTRACTOR TO WIRE EVERY OTHER FIXTURE AND EVERY OTHER ROW ON A SEPARATE CIRCUIT BREAKER ON SALES FLOOR AND STOCK ROOM. CIRCUIT BREAKERS ARE TO BE GROUPED BY CONTACTOR THE FOLLOWING WAY: EMPLOYEE CONTACTOR (CONTROLS ALL OFFICE, CASH, COUNT, BATHROOMS, RECEIVING AREA, AND STOCK ROOM. GROUP A 25% CONTACTOR (CONTROLS APPROXIMATELY THE NEXT 25% OF SALES FLOOR LIGHTS); GROUP B 50% CONTACTOR (CONTROLS THE NEXT 25% OF SALES FLOOR LIGHTS); GROUP C 75% CONTACTOR (CONTROLS THE NEXT 25% OF SALES FLOOR LIGHTS); GROUP D 100% CONTACTOR (CONTROLS THE BALANCE 25% OF SALES FLOOR LIGHTS); GROUP E CONTACTOR EXTERIOR SIGNS (CONTROLS ALL EXTERIOR BUILDING SIGNS INCLUDING PYLON SIGN). GROUP F CONTACTOR (CONTROLS ANY WALL PACK LIGHTING, PARKING LOT LIGHTING AND CANOPY LIGHTING NOT CONTROLLED BY LANDLORD).



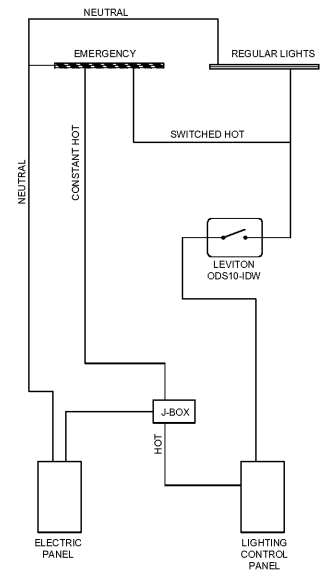
AUTOMATIC MODE OPERATION:

1. WHEN SENSOR ACTIVATES, BOTH LOADS TURN ON.
2. LOADS TURN OFF WHEN SENSOR TIMES OUT.

RECOMMENDED WIRE:
 18-3 AWG STRANDED WIRE SHIELDED OR NON-SHIELDED



DUAL RELAY SWITCHPACK RESTROOM LIGHTING / EXHAUST FAN WIRING DIAGRAM



OFFICES AND LOUNGE WIRING DIAGRAM

DATE	REVISION
04-02-19	
DATE	REVISION
DATE DRAWN:	04-02-19
DRAWN BY:	F.A.
SCALE:	3/8" = 1'-0"
SQUARE FOOTAGE Area	SqFt
SALES FLOOR	25,685
TOTAL BUILDING	39,910
BIG LOTS STORES, INC. STORE PLANNING DEPT. 4900 E. DUBLIN GRANVILLE RD COLUMBUS, OHIO 43081 PHONE: (614) 278-6800	
SHEET:	E-5