

DIVISION 15 - MECHANICAL PLUMBING

1. PROVIDE ALL LABOR, EQUIPMENT, AND MATERIALS NECESSARY TO EXECUTE THE PLUMBING WORK INDICATED ON THE DRAWINGS, AND AS REQUIRED BY LOCAL CODES AND ORDINANCES.
2. PAY ALL FEES AND ARRANGE FOR EXECUTION OF ALL TAPS, METERS WITH REQUIRED ENCLOSURES (IF ANY), ETC. INHERENT TO THE INSTALLATION OF NEW PLUMBING SERVICE.
3. PLUMBING WORK FOR THIS CONTRACT SHALL INCLUDE ALL PIPING FOR DOMESTIC HOT AND COLD WATER LINES AND SANITARY LINES. HOOK UP OF ALL FIXTURES SCHEDULED ON THE DRAWINGS, AND INSULATION OF DESIGNATED PIPING RUNS. WORK SHALL ALSO INCLUDE ALL GAS PIPING AND EQUIPMENT CONNECTIONS WHERE REQUIRED.
4. ALL ITEMS SUCH AS FITTINGS, ETC. NOT MENTIONED BUT UNDERSTOOD TO BE NECESSARY TO COMPLETE THE PLUMBING SYSTEM SHALL BE INCLUDED.
5. SOIL, WASTE, AND VENT PIPING TO BE OF MATERIAL APPROVED BY LOCAL CODES. PVC, DWV PIPING AND FITTINGS TO BE SCHEDULE 40 AS A MINIMUM.
6. PROVIDE CLEANOUTS FOR SOIL AND WASTE LINES AS SHOWN ON DRAWINGS, AND OF TYPE APPROVED BY LOCAL CODES.
7. ALL WATER SUPPLY PIPING BELOW GROUND SHALL BE TYPE K SOFT COPPER TUBING. (AVOID FITTINGS BELOW SLAB WHENEVER POSSIBLE). ALL WATER SUPPLY PIPING ABOVE GROUND SHALL BE TYPE L HARD COPPER TUBING.
8. PROVIDE FOR DRAINING WATER SYSTEM, AND CAP ALL STUBS UNTIL FINISH WORK IS INSTALLED. INSTALL DRAIN VALVE AT WATER METER WITH 3/4" HOSE THREAD AND VACUUM BREAKER.
9. PROVIDE STOPS ON WATER SUPPLIES TO EACH FIXTURE.
10. GAS PIPING FOR HEATING SYSTEMS WITH GAS FIRED EQUIPMENT SHALL BE INCLUDED IN THIS CONTRACT. GAS PIPING SHALL BE STANDARD WEIGHT, BLACK STEEL PIPE, SCHEDULE 40. PIPING EXPOSED TO ATMOSPHERE OR RUN BELOW GRADE SHALL HAVE POLYETHYLENE PLASTIC COATING AND VENTED TO OUTDOORS. ALL GAS PIPING, FITTINGS AND INSTALLATION SHALL BE IN ACCORDANCE WITH REQUIREMENTS OF UTILITY COMPANY AND ALL GOVERNING BODIES.
11. INSULATE ALL COLD AND HOT WATER PIPING WITH ARNOLD COMPANY ARMALUX 1" PIPE INSULATION. SEAL JOINTS WITH ARNOLD 320 ADHESIVE. IMPORTANT - HOLD ALL COLD AND HOT WATER PIPING TO WARM SIDE OF INSULATION TO PROHIBIT FREEZING. INSULATION SHALL MEET FLAME SPREAD AND SMOKE DEVELOPED RATINGS REQUIRED BY LOCAL CODES.

12. PLUMBING FIXTURES SHALL BE FURNISHED AND INSTALLED WHERE SHOWN ON THE DRAWINGS. ALL FIXTURE FITTINGS AND EXPOSED FIXTURE PIPING SHALL BE BRASS CHROME PLATED. ALL TRAPS SHALL BE CAST BRASS. ALL FIXTURES SHALL BE BONE. FIXTURES SHALL BE AS MANUFACTURED BY AMERICAN STANDARD, KOKLER OR CRANE AND EQUAL IN ALL RESPECTS TO FIXTURES SPECIFIED. CLOSET SEATS SHALL BE BENS.

WATER CLOSET (WC-1)
 NO. 2224101 AMERICAN STANDARD: ELONGATED "WHITE" WATER-SAVER "MADERA" VITREOUS CHINA TOILET
 NO. 169 MCCOURE FLEXIBLE SUPPLY STOP
 NO. 95 ELONGATED "SLOAN" 850 OPEN FRONT SEAT. NOT SELF-SUSTAINING HINGE
 NO. 111-128 SLOAN FLUSH VALVE

WATER CLOSET (WC-2)
 NO. 3043 001 AMERICAN STANDARD: ELONGATED "WHITE" WATER-SAVER "MADERA" VITREOUS CHINA TOILET 17" RIM HEIGHT
 NO. 169 MCCOURE FLEXIBLE SUPPLY STOP
 NO. 95 ELONGATED "SLOAN" 850 OPEN FRONT SEAT. NOT SELF-SUSTAINING HINGE
 NO. 111-128 SLOAN FLUSH VALVE

LAVATORY (LAV-1)
 NO. 0356 421 AMERICAN STANDARD: WALL MOUNT, CONCEALED ARMS
 NO. 6812 MCCOURE ADJUSTABLE CAST BRASS 7" TRAP WITH TURNING DRAIN TO WALL
 NO. 701-HDF DELTA FAUCET WITH GRID STRAINER
 NO. 197 MCCOURE FLEXIBLE TUBE RISER, WHEEL HANDLE STOP, ESCUTCHEON, PROVIDE WITH WALL HANGERS

URINAL (UR-1)
 NO. WE05 1002 1401-025 AMERICAN STANDARD: WALL MOUNT, CONCEALED ARMS
 NO. WE05 1002 1401-025 SLOAN: "OPTIMA PLUS" WHITE VITREOUS CHINA, WASHDOWN FLUSH ACTION, WALL HUNG, PROVIDE STRAINER

FIXTURES AND EQUIPMENT:
 FIXTURES AND EQUIPMENT BY OTHERS. ROUGH IN AND FINAL CONNECTIONS OF REQUIRED WASTE, VENT, AND WATER SUPPLY PIPING BY PLUMBING CONTRACTOR. ALL SUPPLY PIPING SHALL BE VALVED.

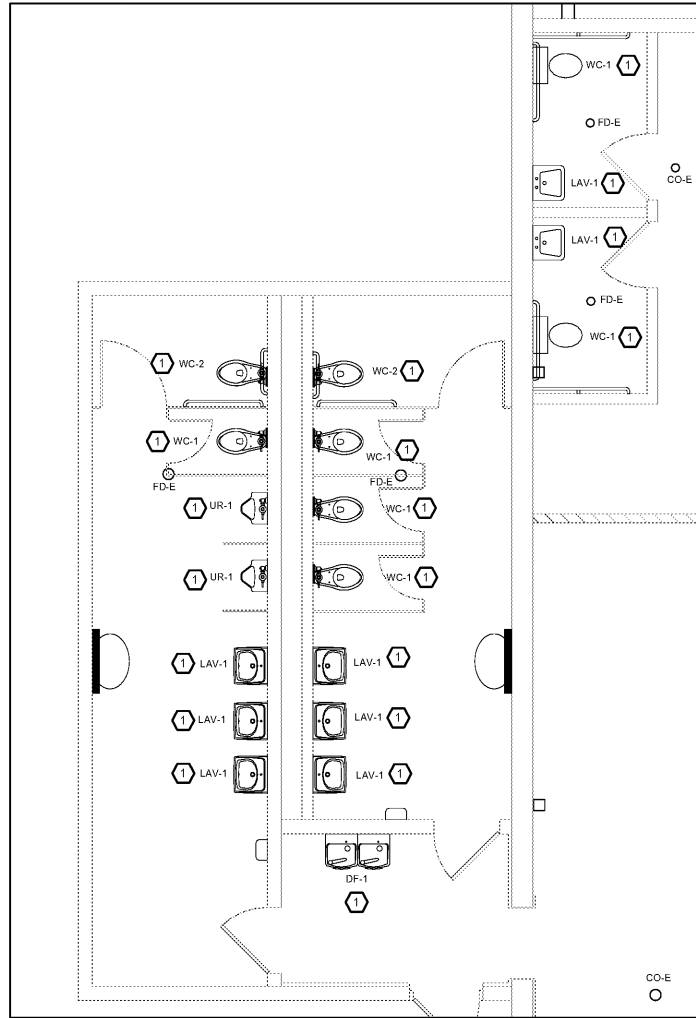
GENERAL NOTE:

PLUMBING CONTRACTOR TO PROVIDE WATER METER NUMBER TO BIG LOTS AT THE BEGINNING OF THE PROJECT.

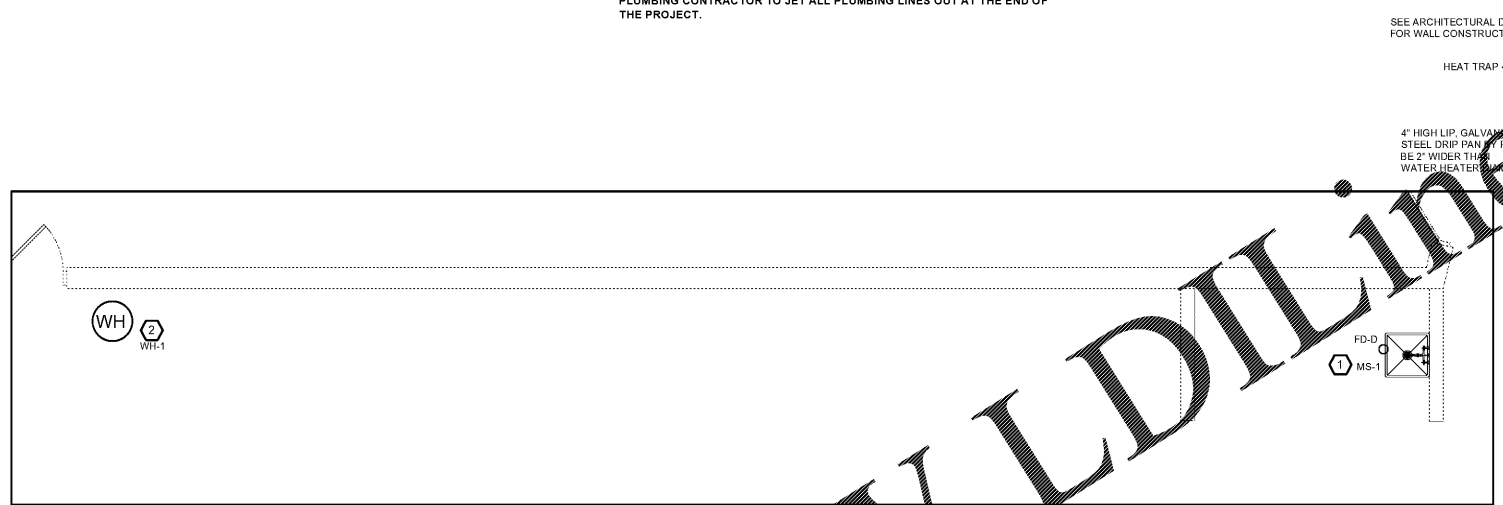
PLUMBING CONTRACTOR TO JET ALL PLUMBING LINES OUT AT THE END OF THE PROJECT.

KEYED NOTES:

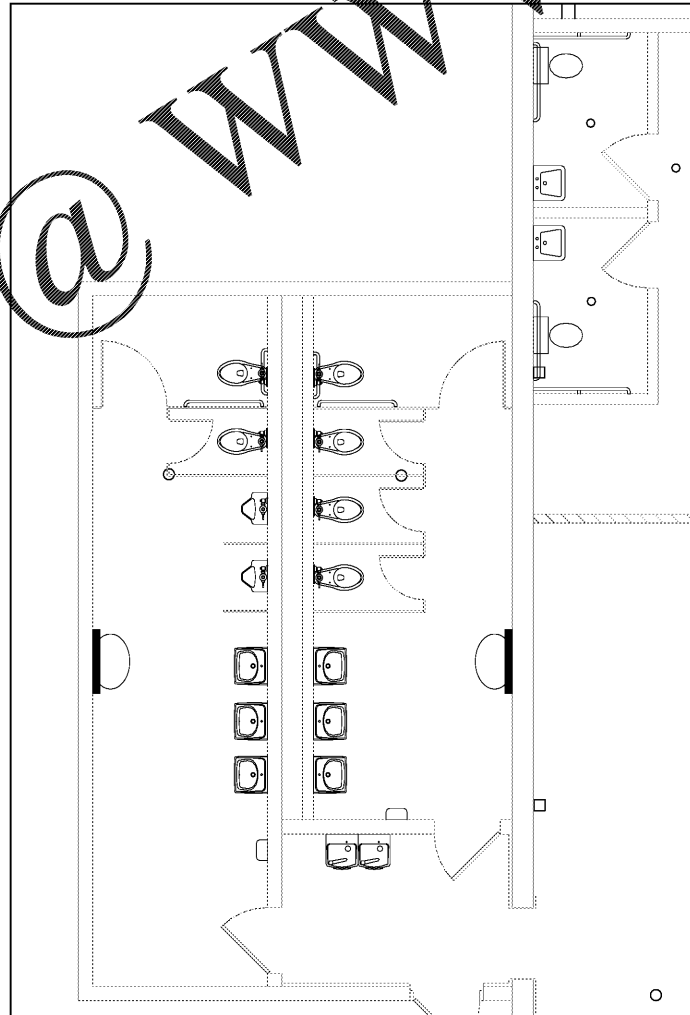
1. EXISTING FIXTURE TO BE REPLACED IN EXISTING LOCATION WITH NEW FIXTURE PER FIXTURE SCHEDULE. RECONNECT TO WATER, VENT AND SANITARY PIPING AS REQUIRED.
2. NEW SHIELF MOUNTED WATER HEATER. PROVIDE PLATFORM FOR WATER HEATER. SEE DETAIL THIS SHEET FOR MORE INFORMATION.



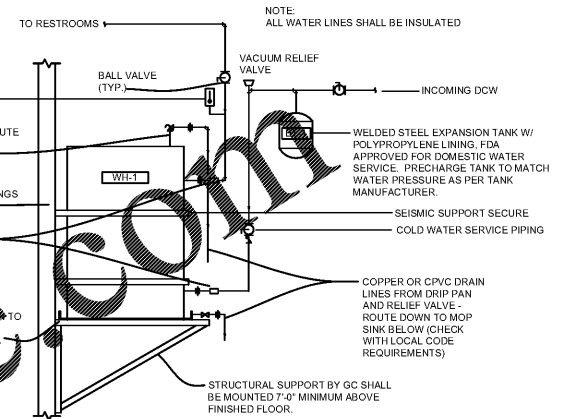
PLUMBING PLAN - RESTROOM
SCALE: 1/4" = 1'-0"



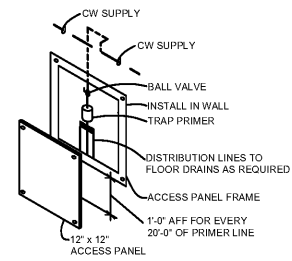
PLUMBING PLAN - BOH
SCALE: 1/4" = 1'-0"



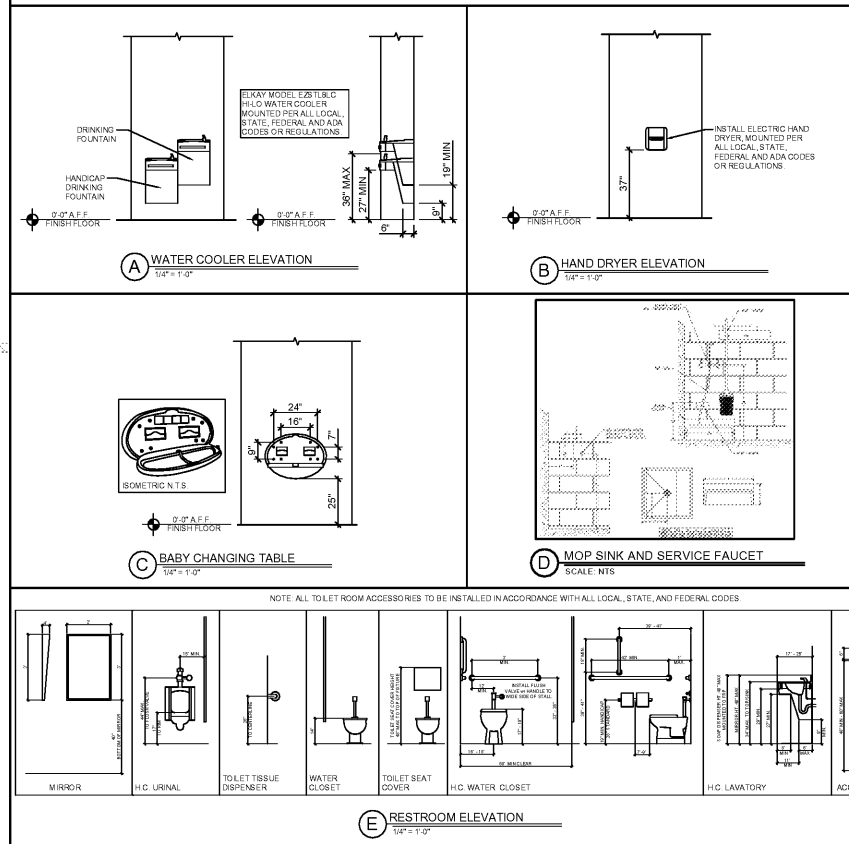
ADA PLUMBING PLAN
SCALE: 1/8" = 1'-0"



WATER HEATER DETAIL
SCALE: NTS



TRAP PRIMER DETAIL
SCALE: NTS



RESTROOM ELEVATION
SCALE: 1/8" = 1'-0"

ITEM	DESCRIPTION	ROUGH-IN PIPING					SPECIFICATIONS					REMARKS
		WASTE	VENT	HOT WATER	COLD WATER	WSFU	M.F.	MODEL	COLOR	ACCESSORIES		
WC-1	WATER CLOSET	4"	2"		1"	10	AMERICAN STANDARD	2224101	WHITE	SLOAN FLUSHMETER ROYAL 111-128	1.28 GPF	
WC-2	WATER CLOSET	4"	2"		1"	10	AMERICAN STANDARD	3043001	WHITE	SLOAN FLUSHMETER ROYAL 111-128	1.28 GPF	1
UR-1	URINAL	2"	1 1/2"			2	SLOAN	1002.1001-0.25	WHITE		25 GPF	
LAV-1	LAVATORY	1 1/2"	1 1/2"		1/2"	2	AMERICAN STANDARD	0356.421	WHITE	DELTA 701-HDF		1, 2
MS-1	MOP SINK	3"	1 1/2"		1/2"	3	MCCOURE	MSB-2424	GRAY	830 AA 1453 BBB		1, 2
DF-1	DRINKING FOUNTAIN	1 1/2"	1 1/2"		1/2"	0.5	ELKAY	EZSTL8LC	GRAY	EZSTL8LC		1, 2, 3
FCO	FLOOR CLEAN OUT						ZURN	ZN1400-HD				
FD	FLOOR DRAIN						ZURN	ZN400C				
WH-1	20 GALLON ELECTRIC WATER HEATER			3/4"	3/4"		A.O. SMITH	DEL-20				2, 3, 4
TP	TRAP PRIMER				1/2"		PRECISION PLUMBING PRODUCTS	FR-500				5
WHA	WATER HAMMER ARRESTOR						PRECISION PLUMBING PRODUCTS	SC				
WCO	WALL CLEAN OUT						ZURN	Z1441				
ET-1	EXPANSION TANK				3/4"		BELL & GOSSETT	PT-12				

REMARKS:
 1. ADA
 2. PROVIDE 120V, 3KW SINGLE ELEMENT
 3. WITH DRAIN PAN UNDER WATER HEATER
 4. T&P RELIEF FULL SIZE
 5. INSTALLED IN WALL WITH ACCESS PANEL ELMDOR VB
 6. PROVIDE MIXING VALVE FOR TEMPERED HOT WATER SET AT 110 DEG F OUTLET
 PROVIDE SPECIFIED FIXTURE OR APPROVED EQUAL

DATE	REVISION	DATE	REVISION	DATE	REVISION
BIG LOTS 14154 E. WADE HAMPTON BLVD. GREER, SOUTH CAROLINA 29651				DATE DRAWN: 04-02-19	
SALES FLOOR 25,885				DRAWN BY: F.A.	
TOTAL BUILDING 39,910				SCALE: 3/32" = 1'-0"	
BIG LOTS STORES, INC. STORE PLANNING DEPT. 4900 E. DUBLIN GRANVILLE RD COLUMBUS, OHIO 43081 PHONE: (614) 278-6800					
SHEET:				P-1	