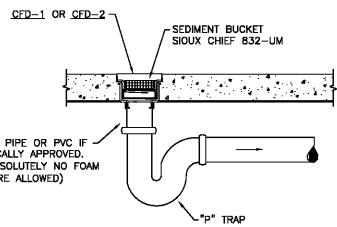
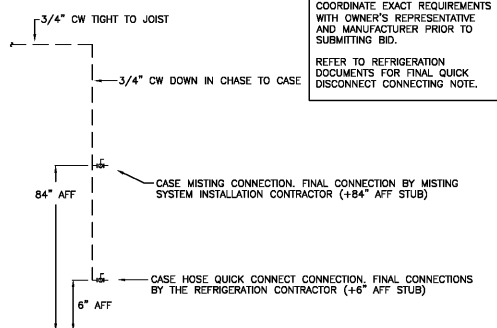


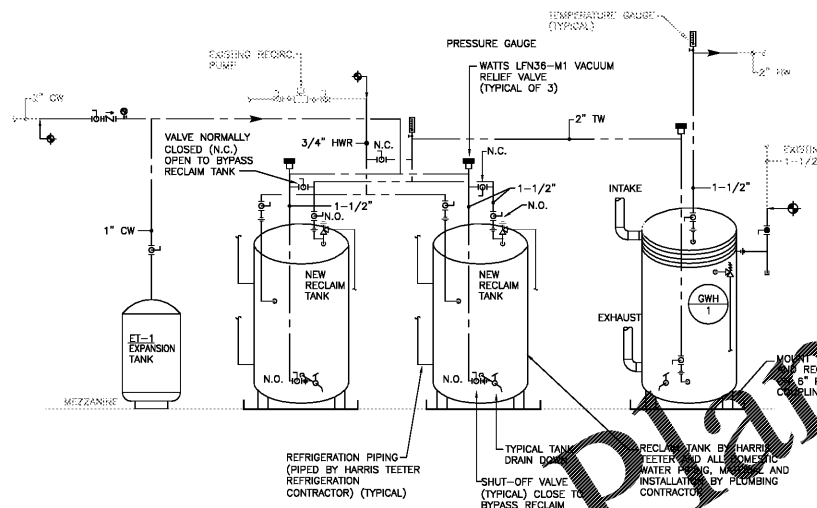
FLOOR AND WALL CLEANOUT DETAIL
SCALE: NO SCALE



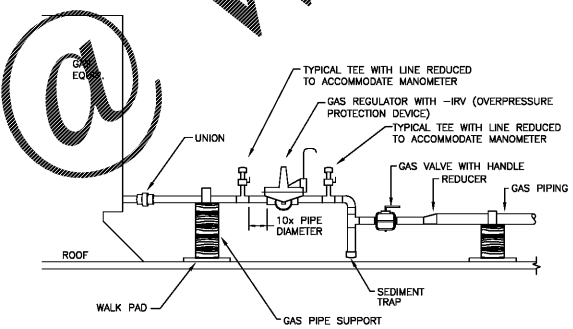
CASE FLOOR DRAIN DETAIL
SCALE: NO SCALE



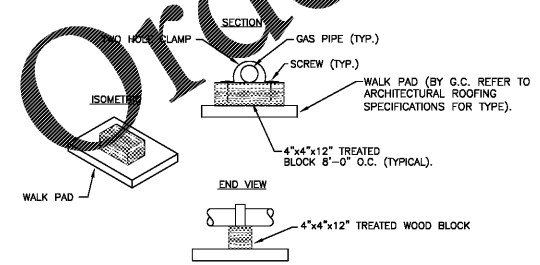
PRODUCE CASE MISTING DETAIL
SCALE: NO SCALE



WATER HEATER DETAIL
NO SCALE



ROOFTOP UNIT GAS CONNECTION
NO SCALE



TYPICAL PIPE SUPPORT ON ROOF DETAIL
NO SCALE

TAG	DESCRIPTION	MANUFACTURER MODEL #	SIZE	FAUCET/VALVE MANUF.	WASTE	TRAP	VENT	CW	HW	GAS	REMARKS
CFD-1	CASE FLOOR DRAIN	SIoux CHIEF 832-36PF-83ZUM (STRAINER)	6 1/2\"/>								
EWC-1	H/L/O ACCESSIBLE WATER COOLER	HALSEY TAYLOR HACBFSBL-0-SS			2\"/>						
FCO	FLOOR CLEANOUT	SIoux CHIEF 834 SERIES			4\"/>						
HD-1	HUB DRAIN				3\"/>						
HB-3	HOSEBIBB	PRIER C-833NSV						3/4\"/>			
KS-1	KITCHEN SINK	ELKAY LR1720	17x20	ELKAY LKE-4101	2\"/>						

TAG	DESCRIPTION	REMARKS
TMV-2	TEMPERING VALVE	WATER HAMMER ARRESTOR
WHA-1	WATER HAMMER ARRESTOR	

TAG	DESCRIPTION	REMARKS
GWH-1	WATER HEATER	

TAG	DESCRIPTION	REMARKS
ET-1	EXPANSION TANK	

Equipment	Number of compartments	Length (inches)	Width (inches)	Depth (inches)	Gallons Per Hour (GPH)
Sink #1	1	30	24	14	98
Sink #2	1	30	24	14	98
Sink #3	1	30	24	14	98
Sink #4	1	30	24	14	98
Sink #5	1	30	24	14	98
Sink #6	1	30	24	14	98
Sink #7	1	30	24	14	98
Sink #8	1	30	24	14	98
Sink #9	1	30	24	14	98
Sink #10	1	30	24	14	98
Sink #11	1	30	24	14	98
Sink #12	1	30	24	14	98
Sink #13	1	30	24	14	98
Sink #14	1	30	24	14	98
Sink #15	1	30	24	14	98
Sink #16	1	30	24	14	98
Sink #17	1	30	24	14	98
Sink #18	1	30	24	14	98
Sink #19	1	30	24	14	98
Sink #20	1	30	24	14	98
Sink #21	1	30	24	14	98
Sink #22	1	30	24	14	98
Sink #23	1	30	24	14	98
Sink #24	1	30	24	14	98
Sink #25	1	30	24	14	98
Sink #26	1	30	24	14	98
Sink #27	1	30	24	14	98
Sink #28	1	30	24	14	98
Sink #29	1	30	24	14	98
Sink #30	1	30	24	14	98
Sink #31	1	30	24	14	98
Sink #32	1	30	24	14	98
Sink #33	1	30	24	14	98
Sink #34	1	30	24	14	98
Sink #35	1	30	24	14	98
Sink #36	1	30	24	14	98
Sink #37	1	30	24	14	98
Sink #38	1	30	24	14	98
Sink #39	1	30	24	14	98
Sink #40	1	30	24	14	98
Sink #41	1	30	24	14	98
Sink #42	1	30	24	14	98
Sink #43	1	30	24	14	98
Sink #44	1	30	24	14	98
Sink #45	1	30	24	14	98
Sink #46	1	30	24	14	98
Sink #47	1	30	24	14	98
Sink #48	1	30	24	14	98
Sink #49	1	30	24	14	98
Sink #50	1	30	24	14	98
Sink #51	1	30	24	14	98
Sink #52	1	30	24	14	98
Sink #53	1	30	24	14	98
Sink #54	1	30	24	14	98
Sink #55	1	30	24	14	98
Sink #56	1	30	24	14	98
Sink #57	1	30	24	14	98
Sink #58	1	30	24	14	98
Sink #59	1	30	24	14	98
Sink #60	1	30	24	14	98
Sink #61	1	30	24	14	98
Sink #62	1	30	24	14	98
Sink #63	1	30	24	14	98
Sink #64	1	30	24	14	98
Sink #65	1	30	24	14	98
Sink #66	1	30	24	14	98
Sink #67	1	30	24	14	98
Sink #68	1	30	24	14	98
Sink #69	1	30	24	14	98
Sink #70	1	30	24	14	98
Sink #71	1	30	24	14	98
Sink #72	1	30	24	14	98
Sink #73	1	30	24	14	98
Sink #74	1	30	24	14	98
Sink #75	1	30	24	14	98
Sink #76	1	30	24	14	98
Sink #77	1	30	24	14	98
Sink #78	1	30	24	14	98
Sink #79	1	30	24	14	98
Sink #80	1	30	24	14	98
Sink #81	1	30	24	14	98
Sink #82	1	30	24	14	98
Sink #83	1	30	24	14	98
Sink #84	1	30	24	14	98
Sink #85	1	30	24	14	98
Sink #86	1	30	24	14	98
Sink #87	1	30	24	14	98
Sink #88	1	30	24	14	98
Sink #89	1	30	24	14	98
Sink #90	1	30	24	14	98
Sink #91	1	30	24	14	98
Sink #92	1	30	24	14	98
Sink #93	1	30	24	14	98
Sink #94	1	30	24	14	98
Sink #95	1	30	24	14	98
Sink #96	1	30	24	14	98
Sink #97	1	30	24	14	98
Sink #98	1	30	24	14	98
Sink #99	1	30	24	14	98
Sink #100	1	30	24	14	98

Equipment	Quantity	Gallons Per Hour (GPH)
Hand sink/Lavatory	1	45
Can wash	1	10
Mop sink	1	5
Hose reel	1	0
Clothes washer	1	0
Total		65

Equipment	Quantity	Gallons Per Hour (GPH)
Pre-riase	1	0
Total		0

Make	Model	Final Rinse Usage (GPH)	Gallons Per Hour (GPH)
Dishmachine #1			0
Dishmachine #2			0
Total			0

Heating Equipment	Model #	Size (Gal)	
NEW WATER HEATER (GWH-1)	A.C. SMITH BTH-199	100	294
NEW HEAT RECLAIM TANK	THERMASTOR II-1	114	114
NEW HEAT RECLAIM TANK	THERMASTOR II-1	114	114
RECLAIM: (296.55 MBH/8.33x60) = 445 GPH TOTAL			
TOTAL RECOVERY			522
TOTAL STORAGE			328
TOTAL HW AVAILABLE			850

Design and Construction Documents are instruments of service as given in confidence and remain the property of Bondurant Associates, Inc. No part of these documents may be reproduced, stored in a retrieval system, or transmitted in any form or by any means without the written permission of Bondurant Associates, Inc.

Date: SEPTEMBER 10, 2019 Job No. 1922
Revision: _____

BONDURANT ASSOCIATES, INC.
ENGINEERING & ARCHITECTURE
444 CLAWSON STREET
FAYETTEVILLE, NC 28404

2840 POLO PARKWAY, SUITE 200
FAYETTEVILLE, NC 28404
PHONE: (704) 794-8588
FAX: (704) 794-8589
EMAIL: info@bondurant.com

Harris Teeter
Neighborhood Food & Pharmacy

Project: HARRIS TEETER STORE #289 ~ REMODEL
2603 GLENWOOD AVENUE, SUITE 101
RALEIGH, NC 27608
Title: PLUMBING SCHEDULES AND DETAILS

Sheet 08 of 10
P5.1
18077951.dwg