

Design and Construction Documents are instruments of service and shall remain the property of Bondurant Associates. No part of these construction documents shall be reproduced, stored in a retrieval system, or transmitted in any form or by any means without the written permission of Bondurant Associates.

Date: SEPTEMBER 10, 2019 Job No. 1922  
 Revisions:  
 No. Date Description  
 1 9/10/19  
 2 9/10/19  
 3 9/10/19  
 4 9/10/19  
 5 9/10/19  
 6 9/10/19  
 7 9/10/19  
 8 9/10/19  
 9 9/10/19  
 10 9/10/19

**BONDURANT ASSOCIATES**  
 ENGINEERING & ARCHITECTURE  
 444 CHAYWOOD STREET  
 FORTSMOUTH, VIRGINIA

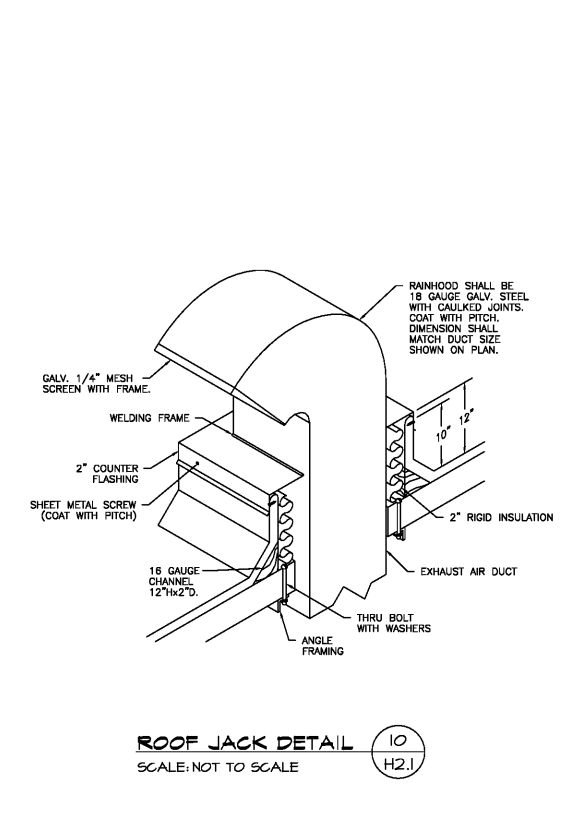
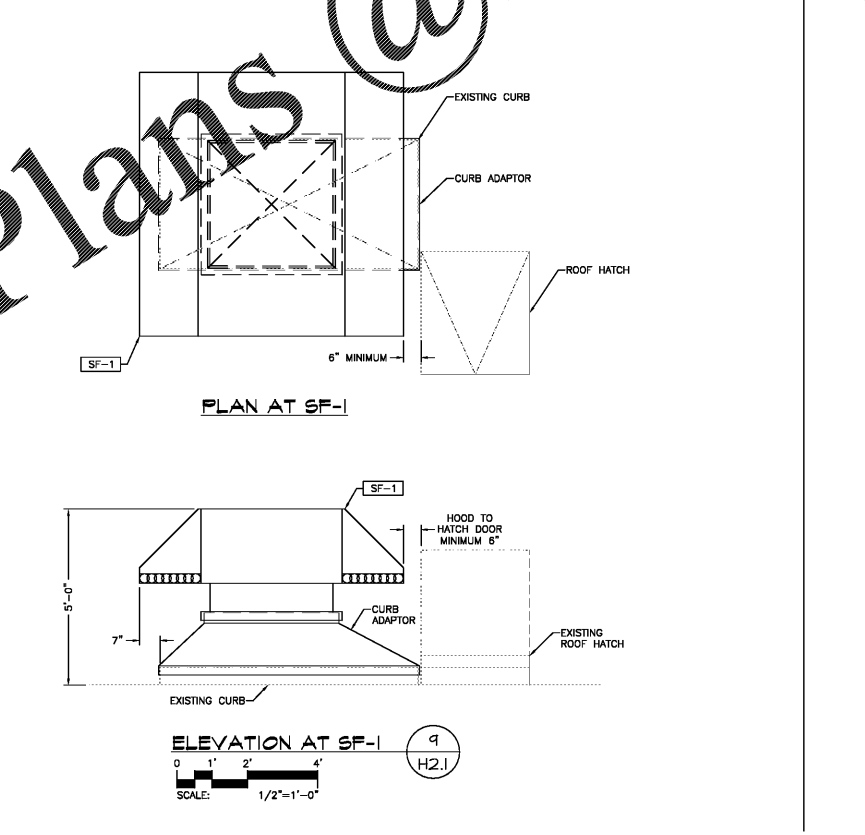
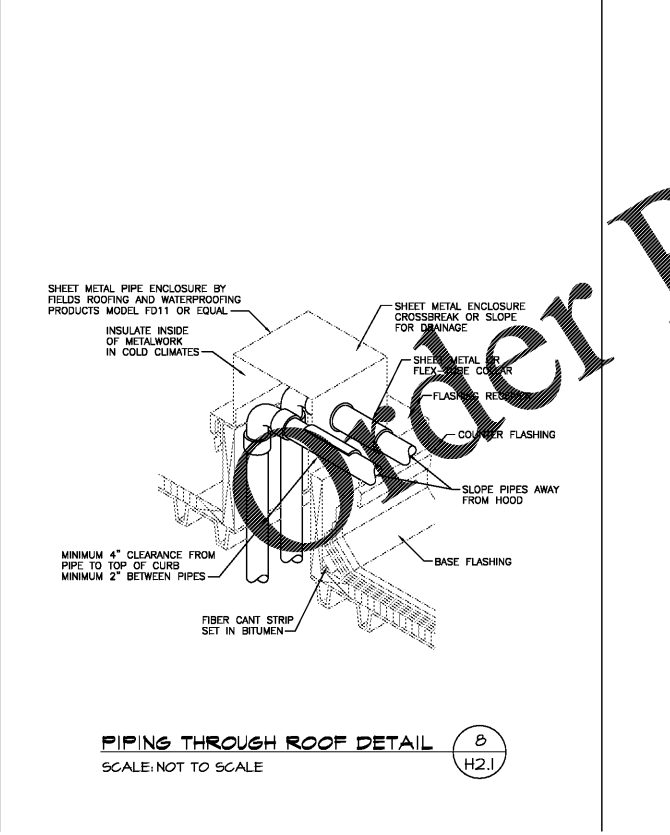
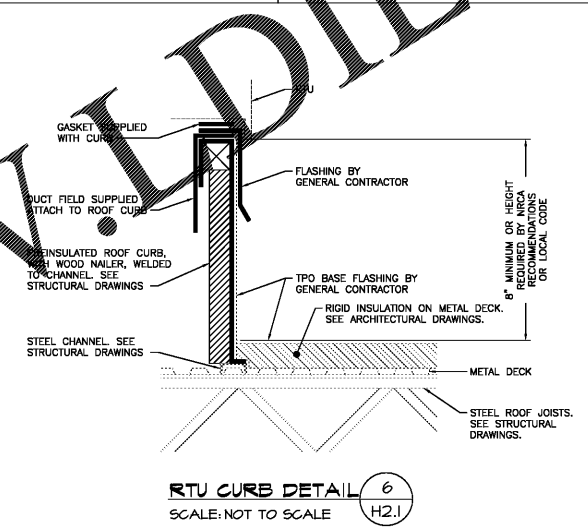
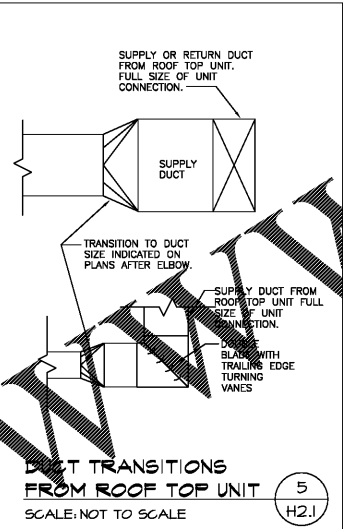
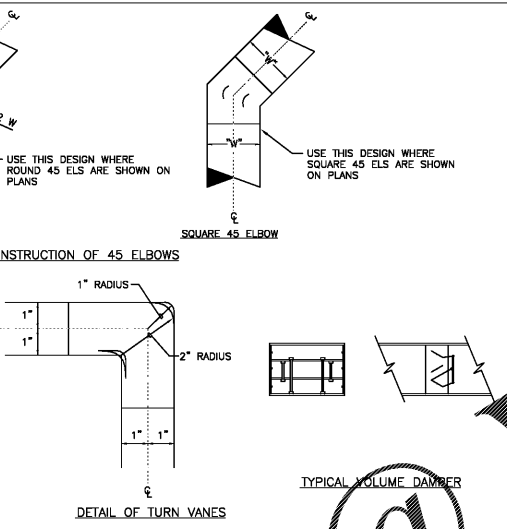
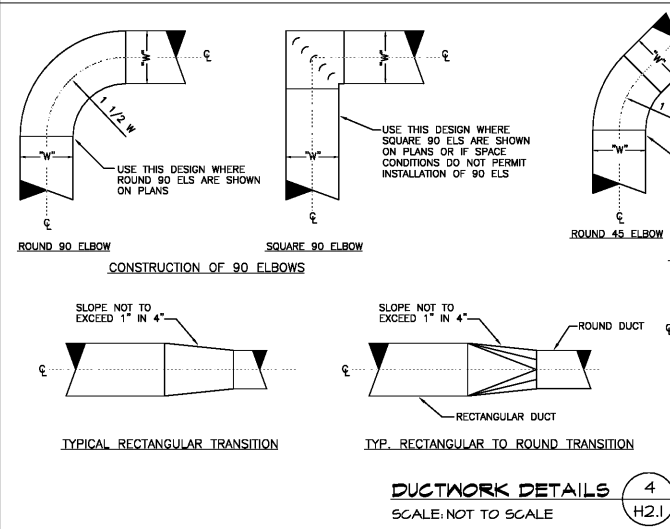
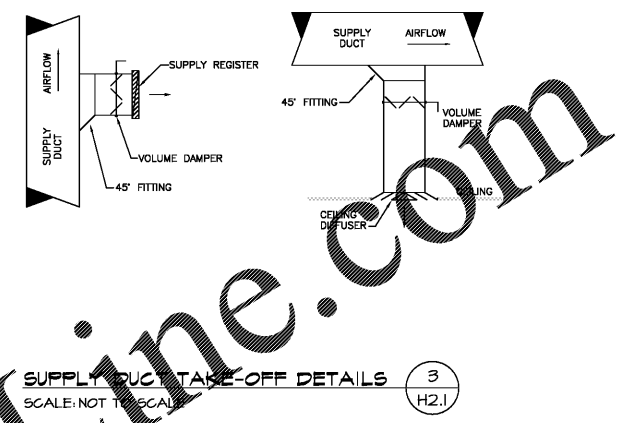
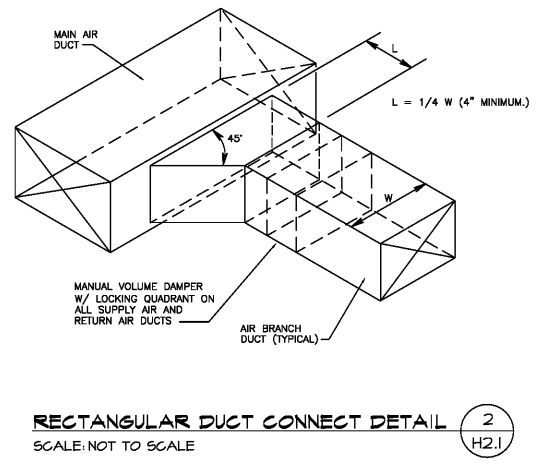
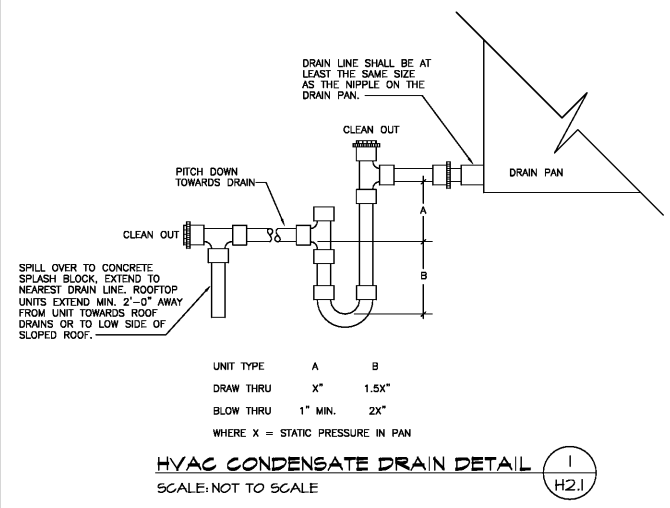
2840 POLO PARKWAY, SUITE 200  
 BRAND ENGINEERING, INC.  
 NC LICENSE NO. C-1804  
 MIDDLEBURY, VA 22113  
 PHONE: (804) 794-8588  
 FAX: (804) 794-8589  
 EMAIL: info@brandeng.com

**Harris Teeter**  
 Neighborhood Food & Pharmacy

Project: **HARRIS TEETER STORE #289 ~ REMODEL**  
 2603 GLENWOOD AVENUE, SUITE 101  
 RALEIGH, NC 27608  
 Title: **HVAC DETAILS**

Sheet 05 of 06  
**H2.1**  
 19077121.dwg

NOTE: THIS DOCUMENT MAY HAVE BEEN ELECTRONICALLY TRANSMITTED. IF UNSIGNED, IT CANNOT BE FILED FOR PUBLIC RECORD. PUBLIC RECORD FILINGS REQUIRE SIGNED AND SEALED DOCUMENTS.  
 9/10/19  
 SEAL 027092  
 JOHN S. PARKER



9/10/2019 11:56:05 AM