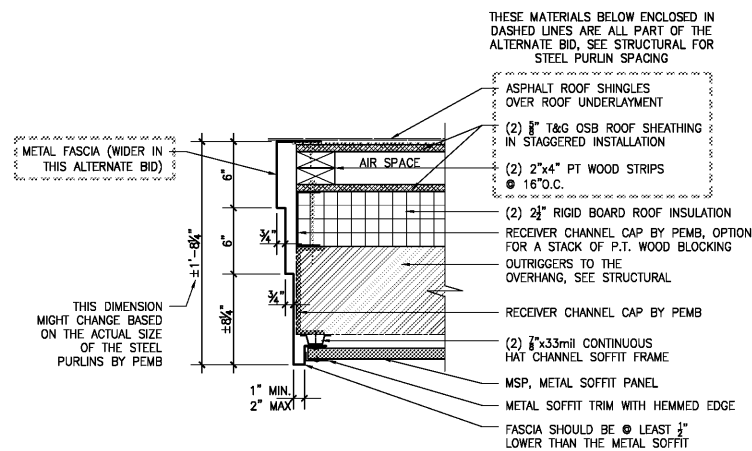
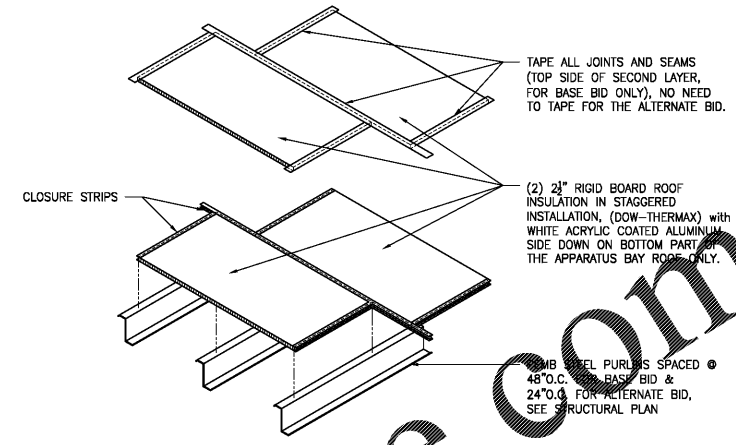
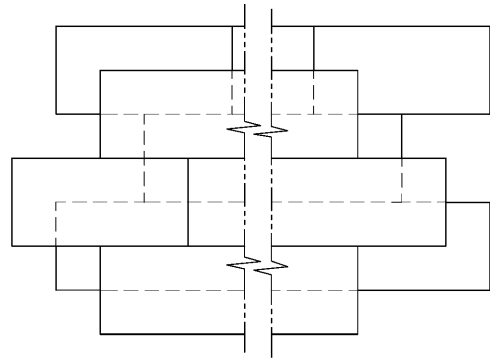
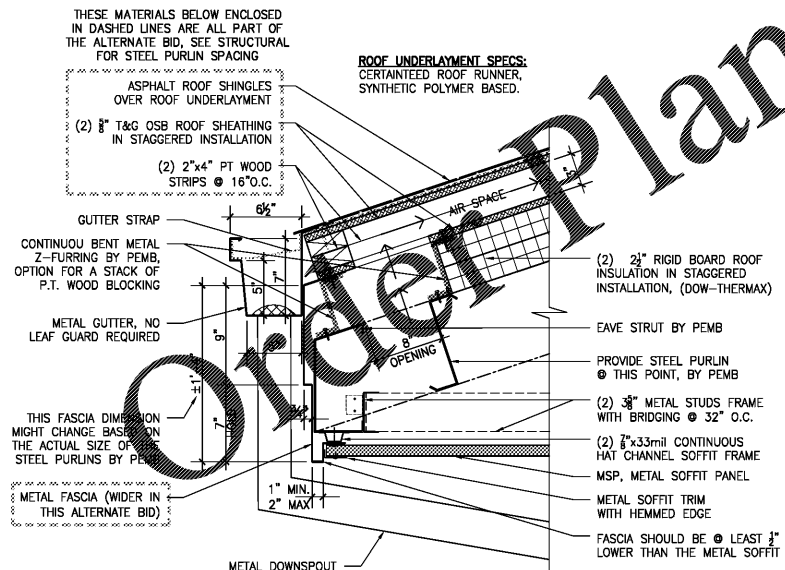


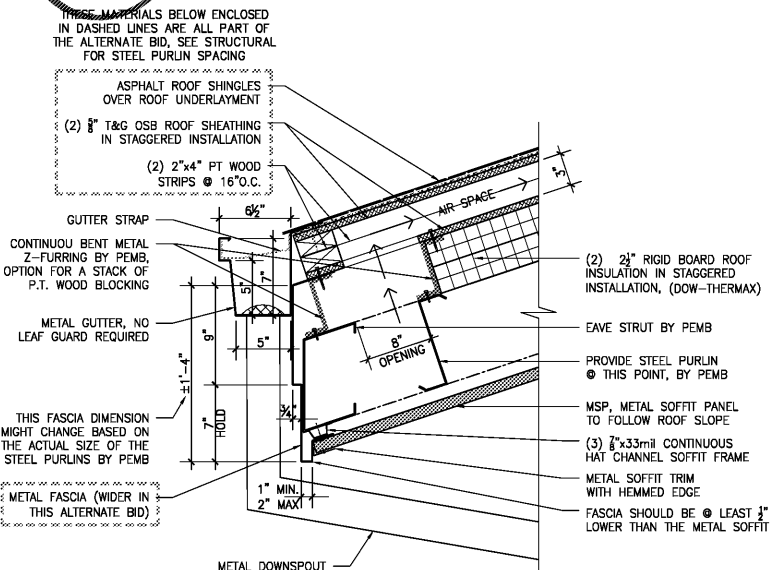
**1 TYP. RIDGE CAP DETAIL**  
SCALE: 1-1/2" = 1'-0" (ALTERNATE BID)  
SEE 3/A-103 FOR THE BASE BID DETAIL



**2 FASCIA DETAIL @ RAKE**  
SCALE: 1-1/2" = 1'-0" (ALTERNATE BID)  
SEE 10/A-304 FOR THE BASE BID DETAIL



**3 FASCIA DETAIL @ GUTTER**  
SCALE: 1-1/2" = 1'-0" (ALTERNATE BID)  
SEE 3/A-305 FOR THE BASE BID DETAIL



**4 FASCIA DETAIL @ GUTTER**  
SCALE: 1-1/2" = 1'-0" (ALTERNATE BID)  
SEE 7/A-305 FOR THE BASE BID DETAIL  
LOCATION: MAIN ENTRY PORCH-100

**GENERAL NOTES:**

ALL NOTES APPLY TO ALL DRAWINGS AND ALL TRADES. IT IS THE RESPONSIBILITY OF ALL CONTRACTORS AND TRADES TO COORDINATE THE INSTALLATION OF THEIR WORK WITH THE INSTALLATION OF WORK BY ALL OTHER CONTRACTORS AND TRADES. THE REQUIREMENTS OF THE DRAWINGS, GENERAL REQUIREMENTS AND ALL ITEMS OF THE CONTRACT DOCUMENTS ARE EQUALLY BINDING ON ALL CONTRACTORS AND TRADES. EACH CONTRACTOR IS REQUIRED TO MAINTAIN FULL SETS OF THE CONTRACT DOCUMENTS FOR HIS EMPLOYEES USE ON THE PROJECT TO ASSURE THAT ALL WORK IS PROPERLY COORDINATED AND INSTALLED WITH THE WORK OF OTHER CONTRACTORS AND TRADES.

WHENEVER THERE ARE DISCREPANCIES BETWEEN DRAWINGS, OR BETWEEN THE DRAWINGS AND SPECIFICATIONS, OR CONFLICTS WITHIN THE SPECIFICATIONS AND/OR DRAWINGS, AND SUCH DISCREPANCY IS NOT CALLED TO THE ARCHITECT'S ATTENTION IN TIME TO PERMIT CLARIFICATION BY ADDENDUM, THE CONTRACTOR SHALL BASE HIS BID UPON PROVIDING THE BETTER QUALITY OR GREATER WORK OR MATERIAL CALLED FOR. SHALL SUBMIT A WRITTEN STATEMENT WITH HIS PROPOSAL NOTING SUCH DISCREPANCIES, AND SHALL SO FURNISH AND INSTALL SUCH BETTER QUALITY OR GREATER QUANTITY UNLESS OTHERWISE ORDERED IN WRITING.

Stewart - Cooper - Newell Architects

Tel. 704.865.6311  
www.scn-architects.com

PROJECT NO. 3057.2003 (1676)  
DRAWN BY: GYS / GEC  
CHECKED BY: KCN  
DATE: 10/08/2020

SHEET TITLE  
**ROOF DETAILS and ALTERNATE BID ROOF DETAILS**

SCALE: AS NOTED

DRAWING NO.	REV.
<b>A-104</b>	<b>0</b>

STEWART-COOPER-NEWELL ARCHITECTS, P.C.  
REGISTERED ARCHITECTURAL FIRM  
CERT. NO. C-82008  
GASTONIA, NC.

STATE OF SOUTH CAROLINA  
KENNETH CHARLES NEWELL  
GASTONIA, NC 04627  
09/28/2020  
REGISTERED ARCHITECT

CITY OF NORTH AUGUSTA, SC  
100 GEORGIA AVENUE, NORTH AUGUSTA, SC 29841

PROJECT NAME:  
**NORTH AUGUSTA FIRE STATION 1 RELOCATION**

PROJECT LOCATION:  
311 W. MARTINTOWN ROAD, NORTH AUGUSTA, SC 29841

**JLA**  
Since 1980  
Architects • Engineers • Landscape Architects

JOHNSON, LASCHOBER & ASSOCIATES, P.C.  
AUGUSTA, GA • MT PLEASANT, SC  
TEL (706) 724-5756 • TEL (843) 619-4656  
FAX (706) 724-3955  
WWW.THEJLAGROUP.COM

GEORGE\_AJAZAKIS-RSFP.DWG  
10/08/2020 10:41 AM

This document is the property of Johnson, Laschober & Associates, P.C. The unauthorized reproduction, copying or otherwise use of this document is strictly prohibited and any infringement thereupon may be subject to legal action.