

TOILET ACCESSORIES

SPEC. SECTION 10800 TOILET AND BATH ACCESSORIES

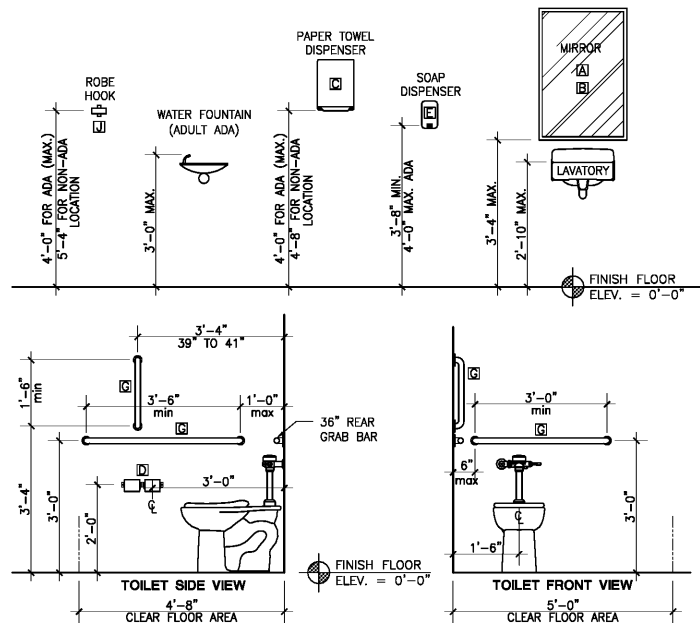
GENERAL NOTES:

PRODUCT AS MANUFACTURED BY THE FOLLOWING WILL BE ACCEPTED AS EQUAL:
 BOBRICK WASHROOM EQUIPMENT, INC.
 BRADLEY CORPORATION
 AMERICAN DISPENSER COMPANY
 WATKINS, INC.
 A&J WASHROOM ACCESSORIES

TOILET ACCESSORIES SHALL BE STAINLESS STEEL UNLESS NOTED OTHERWISE.
 TO THE GREATEST EXTENT POSSIBLE, USE TOILET ACCESSORIES MANUFACTURED BY ONE COMPANY.
 PROVIDE 2x8 MINIMUM WOOD BLOCKING IN ALL WALLS BEHIND ALL TOILET ACCESSORIES.
 INSTALL ALL TOILET ACCESSORIES AS REQUIRED TO COMPLY WITH GOVERNING CODE REQUIRING ACCESS FOR THE HANDICAPPED.
 INSTALL TOILET ACCESSORIES IN STRICT ACCORDANCE WITH MANUFACTURER'S WRITTEN INSTRUCTIONS.

MARK	DESCRIPTION	SPECIFICATIONS
A	MIRROR OVER VANITY (24" WIDE)	BOBRICK MODEL NO. B-165 X 2436 SIZE: 24" WIDE X 36" HIGH
B	MIRROR OVER VANITY (48" WIDE)	BOBRICK MODEL NO. B-165 X 4836 SIZE: 48" WIDE X 36" HIGH
C	PAPER TOWEL DISPENSER	BOBRICK MODEL NO. B-2620
D	TOILET TISSUE DISPENSER (DOUBLE ROLL)	BOBRICK MODEL NO. B-2740
E	SOAP DISPENSER (SURFACE MOUNTED)	BOBRICK MODEL NO. B-2111
F	(2) HORIZONTAL SHOWER GRAB BARS	BOBRICK MODEL NO. B-6806x48" (ON LONGER WALL) BOBRICK MODEL NO. B-6806x18" (ON SHORTER WALL)
G	TOILET GRAB BARS, (2) HORIZONTAL ON TWO WALLS & (1) VERTICAL ON ONE WALL	BOBRICK MODEL NO. B-6806x36" (HORIZONTAL BAR BEHIND WATER CLOSET, SEE ELEVATION) BOBRICK MODEL NO. B-6806x42" (HORIZONTAL BAR BESIDE WATER CLOSET, SEE ELEVATION) BOBRICK MODEL NO. B-6806x18" (VERTICAL BAR BESIDE WATER CLOSET, SEE ELEVATION)
H	FOLDING SHOWER SEAT	BOBRICK MODEL NO. B-5191
I	SHOWER CURTAIN, ROD, & HOOKS	BOBRICK MODEL NO. B-6107x36" (TOILETS-199, 120 & 160) BOBRICK MODEL NO. B-6107x72" (DECON. RM.-116) BOBRICK MODEL NO. 204-1 (AS REQ. FOR OPENINGS) BOBRICK MODEL NO. 204-2 (42"W X 72"H) TOILETS BOBRICK MODEL NO. 204-3 (70"W X 72"H) DECON. RM.
J	SURFACE-MOUNTED DOUBLE ROBE HOOK	BOBRICK MODEL NO. B-6727 (HD STAINLESS STEEL)
K	RECESSED HEAVY-DUTY SOAP DISH	BOBRICK MODEL NO. B-4380
L	SS MOP AND BROOM HOLDER	BOBRICK MODEL NO. B-223 X 24" (6'-0" OFF THE FLOOR)
M	WASTE RECEPTACLE	BOBRICK MODEL NO. B-2250

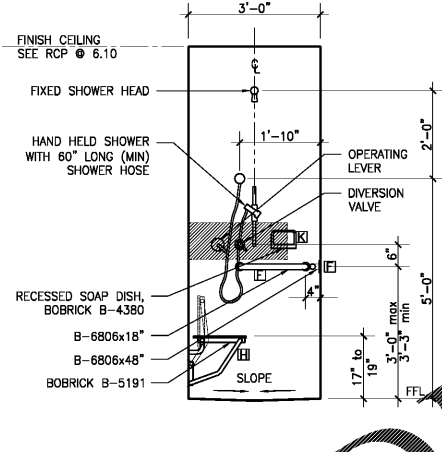
TOILET ACCESSORY MOUNTING HEIGHTS



1 TOILET ACCESSORY MOUNTING HEIGHTS FOR HANDICAPPED
 SCALE: 1/2" = 1'-0"
 NOTE: ALL HEIGHTS TO COMPLY WITH THE LOCAL CODES & ADA.

TOILET NOTES:

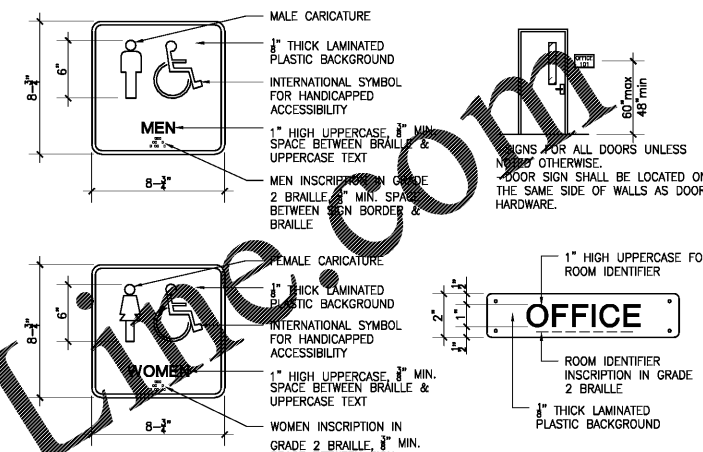
- PROVIDE INSULATION AROUND ALL HOT WATER AND DRAIN LINES UNDER THE HC ACCESSIBLE LAVATORIES.
- G.C. TO VERIFY ALL MODEL NUMBERS FOR TOILET ACCESSORIES PRIOR TO ORDERING. THE ITEM DESCRIPTIONS IS TO BE A GUIDE FOR ORDERING.
- PROVIDE 1/2" THK. TRANSITION THRESHOLD AT ALL SHOWERS AND TOILET FLOORS, SEE DETAIL 9/7.12



2 TYP. CONTROL FOR H.C. SHOWER
 SCALE: 1/2" = 1'-0"
 ALTERNATE ROBE HOOK TYPE SHOWER (SEE 4.3-A)

INTERIOR DOOR SIGNS & DETAILS

- BACKGROUND & LETTER COLOR SAMPLES SHALL BE SUBMITTED BY THE CONTRACTOR & SELECTED BY ARCHITECT. COLOR OF BACKGROUND & VISUAL CHARACTERS SHALL CONTRAST.
- ALL DOOR SIGNS TO HAVE BRAILLE INSCRIPTIONS, LETTERS, NUMERALS, CARICATURES & BORDERS TO BE RAISED 1/8" MIN. - FONT CHARACTERS SHALL BE SANS SERIF.
- MOUNT ALL DOOR SIGNS SO BOTTOM OF LOWEST TACTILE LETTERS ARE 60" A.F.F. MAX (48" MIN) & CENTERLINE OF THE SIGN IS 9" FROM THE EDGE OF DOOR OPENING. INSTALL DOOR SIGN ON WALL ADJACENT TO THE DOOR LATCH (U.N.O.) CONSULT ARCHITECT WHEN NO WALL ADJACENT TO DOOR LATCH IS AVAILABLE.
- MOUNT ON SURFACES WITH VINYL PRESSURE SENSITIVE FOAM TAPE & 4 CHROME PLATED PHILLIPS HEAD SCREWS ON EACH SIGN.
- ALL DOORS SIGNS SHALL BE FURNISHED BY THE GC AS PART OF THE CONTINGENCY ALLOWANCE #3.



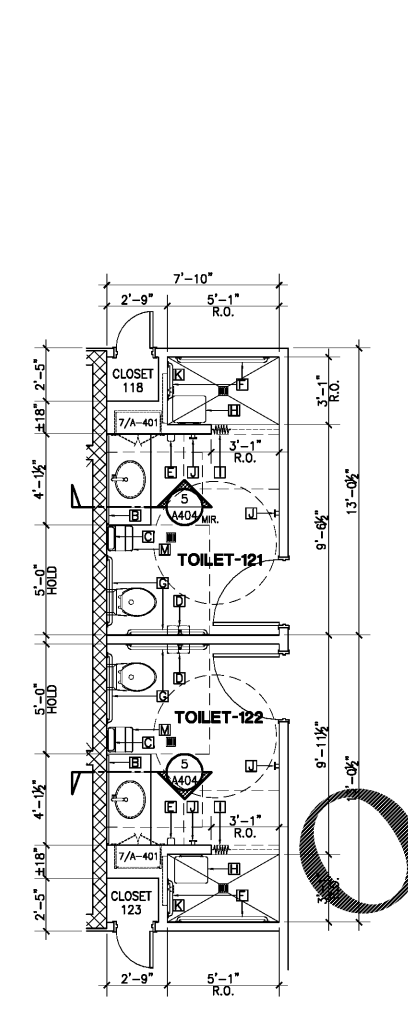
3 DOOR SIGN DETAILS
 SCALE: N.T.S.

JL
 Since 1980
 Architects • Engineers • Landscape Architects
JOHNSON, LASCHNER & ASSOCIATES, P.C.
 AUGUSTA, GA • MT. PLEASANT, SC
 TEL. (706) 724-5756 • TEL. (843) 619-4656
 FAX (706) 724-3955
 WWW.THEJLAGROUP.COM

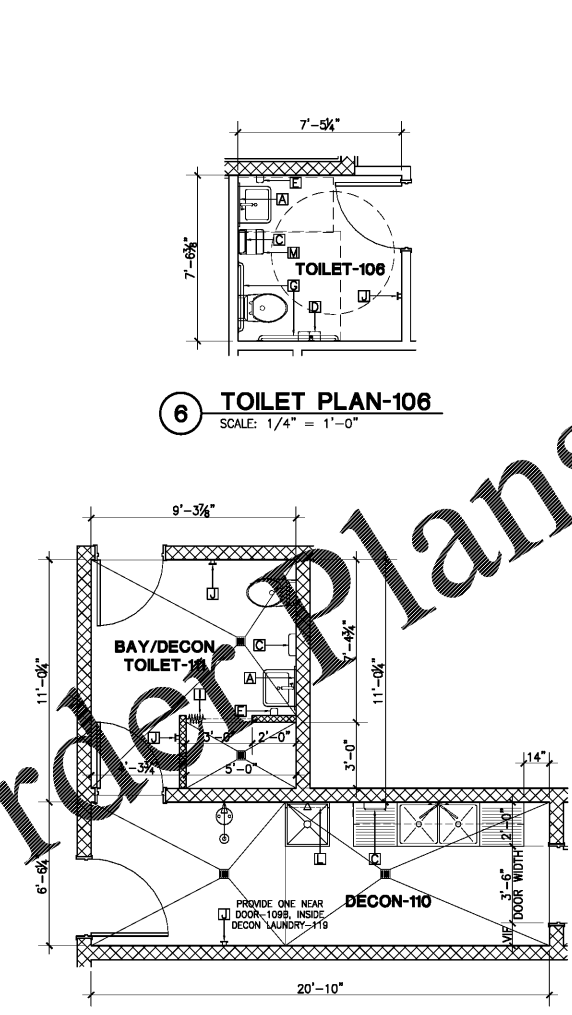
CITY OF NORTH AUGUSTA, SC
 100 GEORGIA AVENUE, NORTH AUGUSTA, SC 29841
 PROJECT NAME:
**NORTH AUGUSTA
 FIRE STATION 1 RELOCATION**
 PROJECT LOCATION:
 3111 W. MARTINTOWN ROAD, NORTH AUGUSTA, SC 29841

STEWART-COOPER-NEWELL ARCHITECTS, P.A.
 CERT. NO. C-82008
 GASTONIA, NC

STATE OF SOUTH CAROLINA
 KENNETH CHARLES NEWELL
 GASTONIA, NC 04827
 REGISTERED ARCHITECT

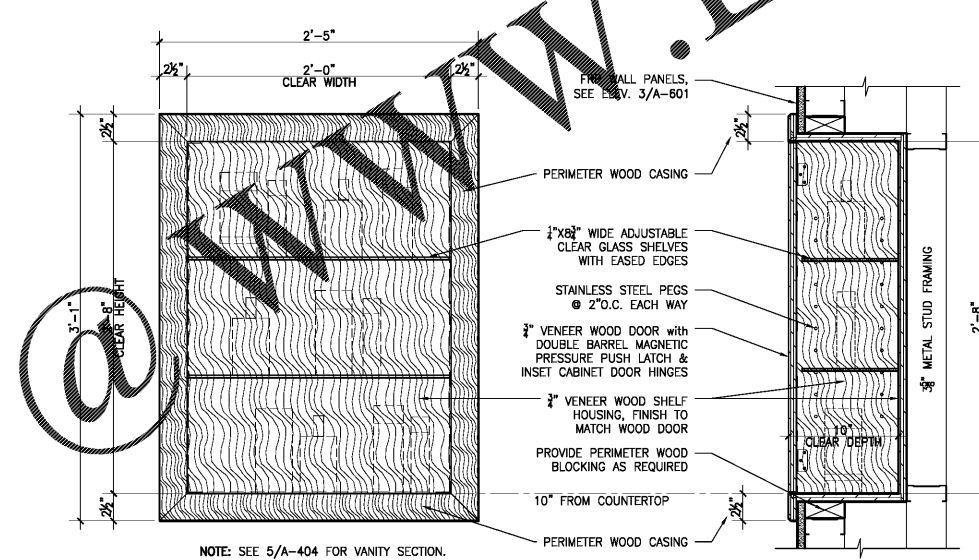


4 TOILET PLAN-121 & 122
 SCALE: 1/4" = 1'-0"



5 TOILET PLAN-111
 SCALE: 1/4" = 1'-0"

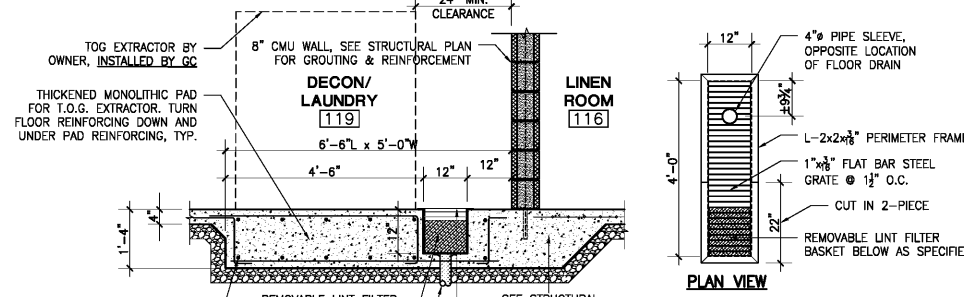
6 TOILET PLAN-106
 SCALE: 1/4" = 1'-0"



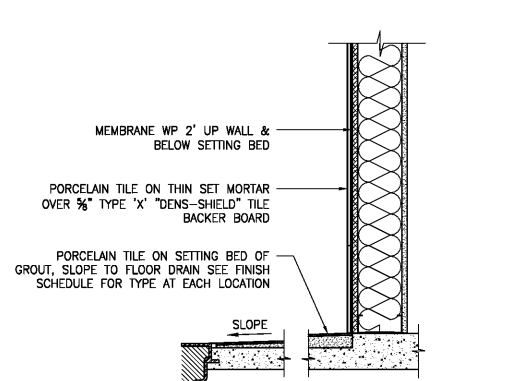
7 OPEN SHELVES ELEVATION
 SCALE: 1-1/2" = 1'-0" (FOR TOILETS-121 & 122)

8 OPEN SHELVES SECTION
 SCALE: 1-1/2" = 1'-0" (FOR TOILETS-121 & 122)

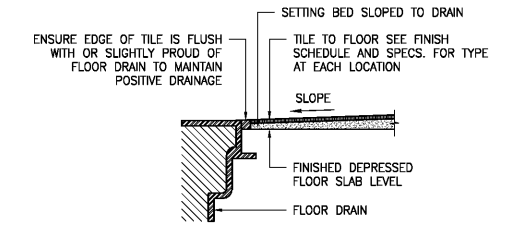
NOTE:
 G.C. TO VERIFY & COORDINATE THAT THICKENED SLAB IS TO BE POURED AS A MONOLITHIC SLAB TO ENSURE WARRANTY FOR EXTRACTOR. AN ISOLATED FLOOR SLAB WILL NOT GUARANTEE WARRANTY.



9 T.O.G. EXTRACTOR PAD SECTION
 SCALE: 1/2" = 1'-0"



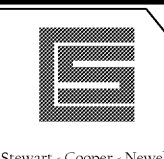
10 DET. OF PORCELAIN TILE
 SCALE: N.T.S.



11 DET. OF FLOOR DRAIN
 SCALE: N.T.S.

GENERAL NOTES:
 ALL NOTES APPLY TO ALL DRAWINGS AND ALL TRADES. IT IS THE RESPONSIBILITY OF ALL CONTRACTORS AND TRADES TO COORDINATE THE INSTALLATION OF THEIR WORK WITH THE INSTALLATION OF WORK BY ALL OTHER CONTRACTORS AND TRADES. THE REQUIREMENTS AND/OR DRAWINGS, GENERAL REQUIREMENTS AND ALL ITEMS OF THE CONTRACT DOCUMENTS ARE EQUALLY BINDING ON ALL CONTRACTORS AND TRADES. EACH CONTRACTOR IS REQUIRED TO MAINTAIN FULL SETS OF THE CONTRACT DOCUMENTS FOR HIS EMPLOYEES USE ON THE PROJECT TO ASSURE THAT ALL WORK IS PROPERLY COORDINATED AND INSTALLED WITH THE WORK OF OTHER CONTRACTORS AND TRADES.

WHENEVER THERE ARE DISCREPANCIES BETWEEN DRAWINGS OR BETWEEN THE DRAWINGS AND SPECIFICATIONS OR CONFLICTS WITHIN THE SPECIFICATIONS AND/OR DRAWINGS, AND SUCH DISCREPANCY IS NOT CALLED TO THE ARCHITECT'S ATTENTION IN TIME TO PERMIT CLARIFICATION BY ADDENDUM, THE CONTRACTOR SHALL BE RESPONSIBLE FOR PROVIDING THE BETTER QUALITY OR GREATER QUANTITY OR MATERIAL CALLED FOR. SHALL SUBMIT A WRITTEN STATEMENT WITH HIS PROPOSAL NOTING SUCH DISCREPANCY, AND SHALL SO FURNISH AND INSTALL SUCH BETTER QUALITY OR GREATER QUANTITY UNLESS OTHERWISE ORDERED IN WRITING.



Stewart-Cooper-Newell Architects
 Tel. 704.865.6311
 www.scn-architects.com

REV	DATE	BY	ISSUED FOR	DESCRIPTION
0	10/08/20	KCN	ISSUED FOR BID	

PROJECT NO. 3057.2003 (1676)
 DRAWN BY: GYS / GEC
 CHECKED BY: KCN
 DATE: 10/08/2020
 SHEET TITLE
**ENLARGED
 TOILET PLANS,
 TOILET ACC. &
 INT. DOOR SIGNS**

SCALE: AS NOTED
 DRAWING NO. **A-401**
 REV. **0**