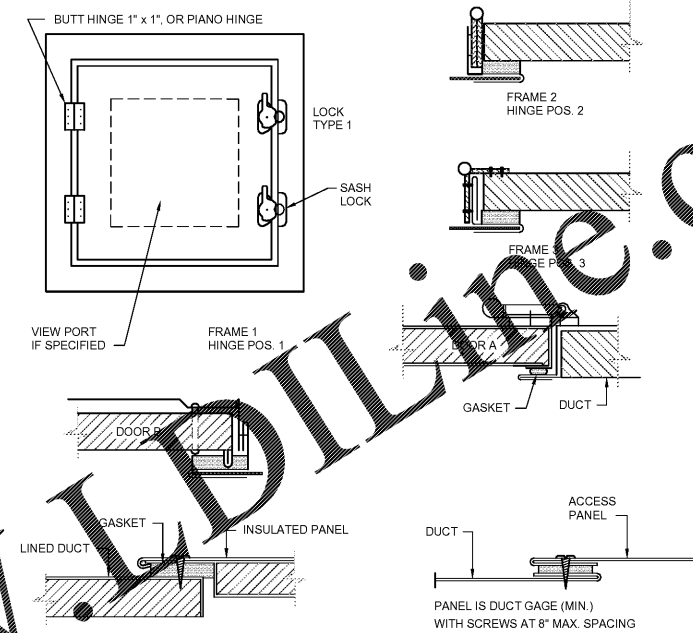


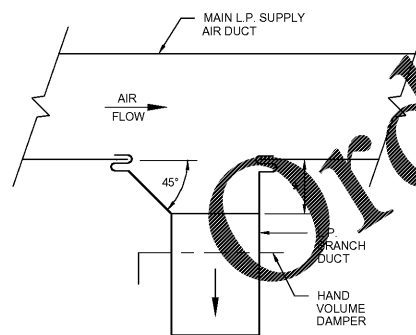
5
M-302
DETAIL - DUCT TEE CONNECTION
NO SCALE



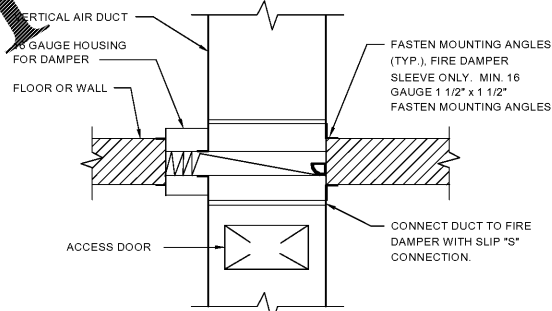
DUCT CLASS	DOOR SIZE	NO. HINGES	NO. LOCKS	METAL GAGE		
				FRAME	DOOR	BACK
2" W.G.	12" x 12"	2	1-S	24	26	26
STATIC	16" x 20"	2	2-S	22	24	26
AND LESS	24" x 24"	3	2-S	22	22	26

S = SIDE OPPOSITE HINGES

7
M-302
DETAIL - DUCT ACCESS DOOR
NO SCALE

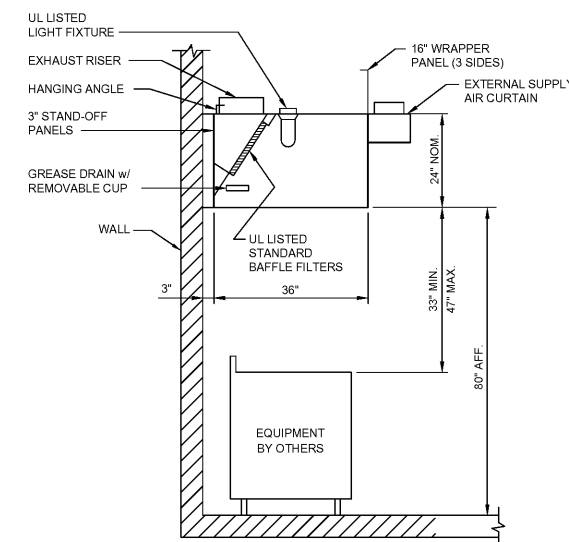


9
M-302
DETAIL - TYPICAL LOW PRESSURE BRANCH DUCT TAKE OFF
NO SCALE



NOTES:
1. DAMPER ASSEMBLY INSTALLED IN AND FASTENED TO THE SLEEVE
2. MAINTAIN FULL DUCT SIZE. DAMPER HOUSING SHALL NOT OBSTRUCT AIR FLOW. (TYPE "B")
3. MOUNTING SHOWN IS VERTICAL INSTALLATION. HORIZONTAL INSTALLATION IS SIMILAR.

10
M-302
DETAIL - FIRE DAMPER INSTALLATION
NO SCALE



11
M-302
DETAIL - KITCHEN HOOD
NO SCALE

Stewart - Cooper - Newell
Architects
704.865.6311
www.scn-architects.com

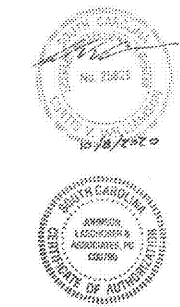
PROJECT NO.	3057.2003
DRAWN BY:	MNB
CHECKED BY:	CVW
DATE:	10/08/2020

SHEET TITLE:
HVAC DETAILS

SCALE: AS NOTED

DRAWING NO.	M-302	REV.	0
-------------	-------	------	---

CLIENT: CITY OF NORTH AUGUSTA, SC
100 GEORGIA AVENUE, NORTH AUGUSTA, SC 29841
PROJECT NAME: NORTH AUGUSTA FIRE STATION 1 RELOCATION
PROJECT LOCATION: 311 W. MARTINTOWN ROAD, NORTH AUGUSTA, SC 29841



This document is the property of Johnson, Laschober & Associates, P.C. The unauthorized reproduction, copying or otherwise use of this document is strictly prohibited and any infringement thereupon may be subject to legal action.