

LIGHTING FIXTURE SCHEDULE							
ID	BASIS OF DESIGN		VOLT.	WATTS	LAMP TYPE	MOUNTING	REMARKS
	MANUF.	MODEL NUMBER					
A	COLUMBIA	LCAT24-40HLG-EDU	120	44	4000K LED	RECESSED	5700 LUMEN ARCHITECTURAL 2'X4'
B	COLUMBIA	LCAT24-40MLG-R-EDU	120	39	4000K LED	RECESSED	4990 LUMEN ARCHITECTURAL 2'X4'
BE	COLUMBIA	LCAT24-40MLG-R-EDU-ELL15	120	39	4000K LED	RECESSED	4990 LUMEN ARCHITECTURAL 2'X4' WITH EMERGENCY BATTERY
C	ELITE	4-12238LED-5000L-DIM10-MVOLT-40K-85	120	46	4000K LED	SURFACE	LED WRAP AROUND
D	ELITE	H#6-LED-900L-DIM10-MVOLT-MD-40K-90-H#6-6501-CL-VH	120	12	4000K LED	RECESSED	900 LUMEN 6" RECESSED DOWNLIGHT, WET LOCATION
E	ELITE	H#6-LED-1500L-MD-40K-SHZ-SHZ	120	20	4000K LED	RECESSED	1500 LUMEN 6" RECESSED DOWNLIGHT
EE	ELITE	H#6-LED-1500L-MD-40K-SHZ-SHZ	120	20	4000K LED	RECESSED	1500 LUMEN 6" RECESSED DOWNLIGHT WITH EMERGENCY BATTERY
F	HUBBLE	CRN-40MV-EDU	120	200	4000K LED	PENDANT	HIGHBAY LED PENDANT
FE	HUBBLE	CRN-40MV-EDU	120	200	4000K LED	PENDANT	HIGHBAY LED PENDANT, PROVIDE DUAL LITE LIGHTING INVERTER
G	COLUMBIA	MPS4-40HL-CW-EDU	120	50	4000K LED	SURFACE	LED STRIP LIGHT
GE	COLUMBIA	MPS4-40HL-CW-EDU	120	50	4000K LED	SURFACE	LED STRIP LIGHT WITH EMERGENCY BATTERY
H	ELITE	H#6-LED-1500L-MD-40K-SHZ-SHZ	120	20	3000K LED	RECESSED	RECESSED DOWNLIGHT WET LOCATION
HE	ELITE	H#6-LED-1500L-MD-40K-SHZ-SHZ	120	20	3000K LED	RECESSED	RECESSED DOWNLIGHT WET LOCATION WITH EMERGENCY BATTERY
J	ELITE	H#6-LED-1500L-MD-40K-SHZ-SHZ	120	20	3000K LED	RECESSED	RECESSED WALL WASH DOWNLIGHT WET LOCATION
K	G LIGHTING	GL-6540-C-R3-R3-BY ARCH	120	23	3000K LED	WALL	LED UP/DOWN WALL SOURCE, COORDINATE MOUNTING HEIGHT WITH ARCHITECTURAL DRAWINGS
L	HUBBLE	TRP2-24L-50-3K8-3-UVV-BY ARCH	120	50	3000K LED	WALL	LED WALL PACK, COORDINATE MOUNTING HEIGHT WITH ARCHITECTURAL DRAWINGS
M	ELITE	EU-LED-24-900L-DIMTR-120-40K	120	10	4000K LED	SURFACE	LED UNDERCOUNTER LIGHT
N	MODERN FAN CO.	ALTUS 42" 3 BLADE FAN	120	65	N/A	CEILING	48" CEILING FAN
P	MODERN FAN CO.	SOLUS 52" 5 BLADE	120	65	N/A	CEILING	52" CEILING FAN
Q	ELLIPTIPAR	S175-R04L-H-BY ARCH-M-00-0-830	120	29	3000K LED	CEILING	EXTERIOR SIGN LIGHT, MOUNT ON SOFFIT 12" FROM WALL WITH HANGER STEM, PROVIDE RECESSED OUTLET BOX
R	BEACON	AL-U 38-80 4K7 4X4 UVV FV	120	80	4000K LED	GROUND	9600 LUMENS, VANDAL SHIELD AND FULL VISOR, PROVIDE CONCRETE BASE PER MOUNTING DETAIL 5 / E-401
S	BEACON	VPS-60L-136-3K7-2-BC	120	135	3000K LED	POLE	POLE MOUNTED AREA LIGHT WITH TYPE 2 STRIKE OPTICS, BACKSHIELD, PROVIDE CONCRETE BASE PER MOUNTING DETAIL 3 / E-401, PROVIDE 5" SQUARE STEEL POLE, 25FT MOUNTING HEIGHT
T	BEACON	VPS-60L-136-3K7-4-6C	120	135	3000K LED	POLE	POLE MOUNTED AREA LIGHT WITH TYPE 4 STRIKE OPTICS, BACKSHIELD, PROVIDE CONCRETE BASE PER MOUNTING DETAIL 3 / E-401, PROVIDE 5" SQUARE STEEL POLE, 25FT MOUNTING HEIGHT
U	COLUMBIA	LCAT14-40MLG-R-EDU	120	38	4000K LED	RECESSED	4990 LUMEN ARCHITECTURAL 1'X4'
X	DUAL LITE	EVE U G W E	120	5	LED	WALL/CEILING	EXIT SIGN

LIGHTING FIXTURE SCHEDULE NOTES:  
COORDINATE ALL FINISH OPTIONS WITH ARCHITECT.

MOTOR SCHEDULE	
ID	DESCRIPTION
1	IFC-1
2	IFC-2
3	IFC-3
4	OCU-1
5	OCU-2
6	OCU-3
7	H#P-1
8	H#P-2
9	OMP-1
10	OMP-2
11	BAY DOORS
12	HVLS FAN
13	WH-1
14	WH-2
15	EF-1
16	EF-2
17	EF-3
18	EF-4
19	EF-5
20	EF-6
21	EF-7
22	GRINDER PUMP
23	KEF-1
24	KBF-1
25	IL-1
26	IL-2

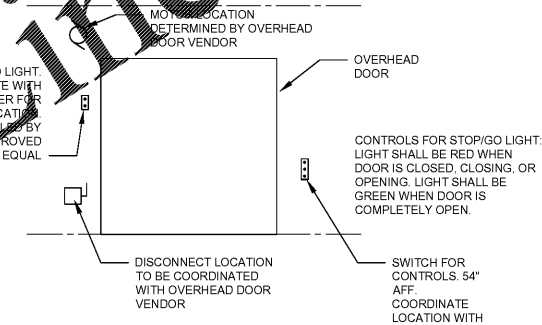
MOTOR SCHEDULE NOTES:

PROVIDE LOCAL FUSIBLE DISCONNECTING MEANS FOR EACH MOTOR. COORDINATE WITH MOTOR MOCIP.

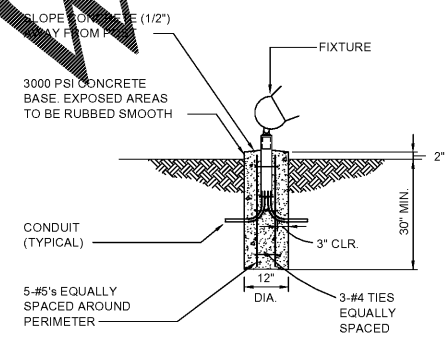
SPECIAL OUTLET SCHEDULE	
ID	DESCRIPTION
1	DRYER
2	TOG DRYER
3	COMPRESSOR
4	EXTRACTOR
5	GENERATOR BLOCK HEATER
6	GENERATOR BATTERY CHARGER
7	ICE MACHINE
8	GW#-1
9	PMP-1
10	DISHWASHER
11	RANGE
12	TH-1
13	PROVIDE JUNCTION BOX AND SG10B-115RG-LED BY TRILITE OR APPROVED EQUAL, COORDINATE CONTROLS WITH DOOR INSTALLER, SEE DETAIL 4/E-401
14	LIFT STATION CONTROL
15	KITCHEN HOOD LIGHTS
16	CARD READER / ELECTRIC LOCK, SEE DETAILS 1 & 2/E-402
17	CONDENSATE PUMP

SPECIAL OUTLET SCHEDULE NOTES:

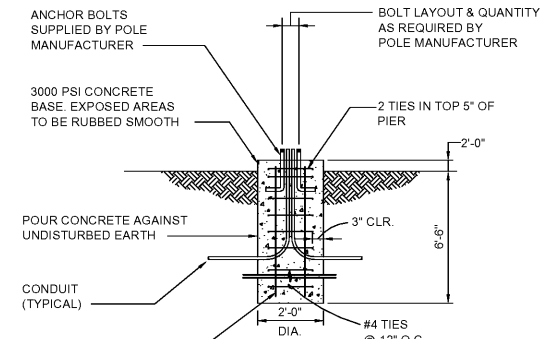
PROVIDE LOCAL DISCONNECTING MEANS FOR DEVICES WITHOUT RECEPTACLE. COORDINATE WITH MOCIP.



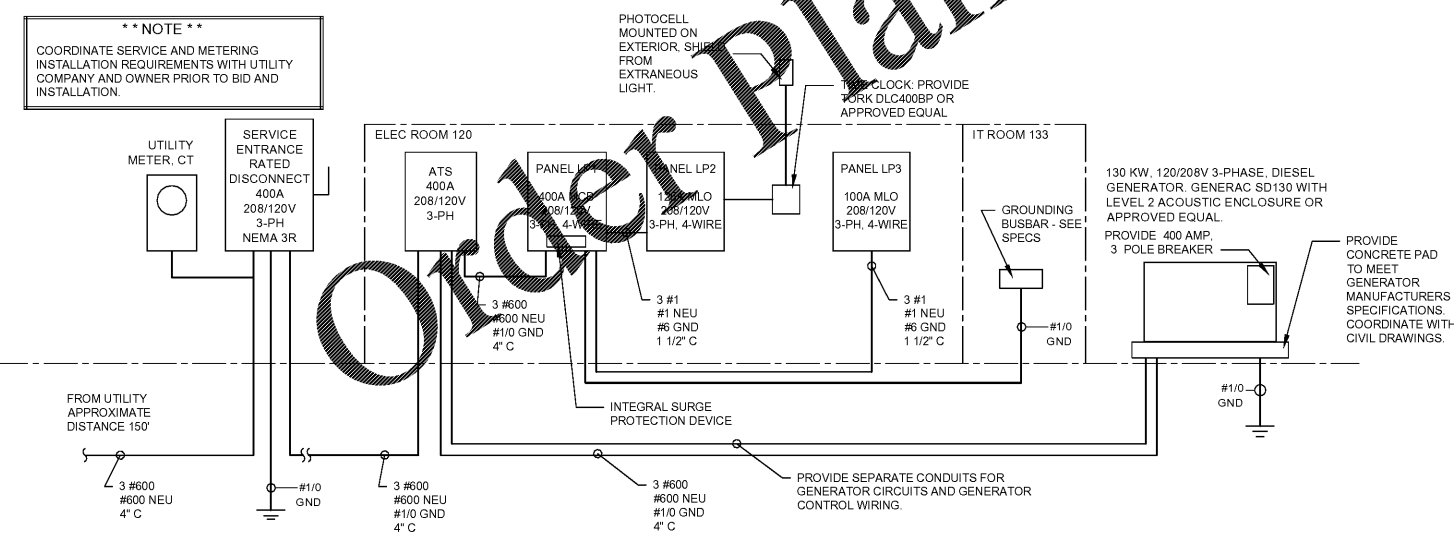
4 OVERHEAD DOOR DETAIL  
E-401 EQUIPMENT LOCATIONS  
SCALE: NONE



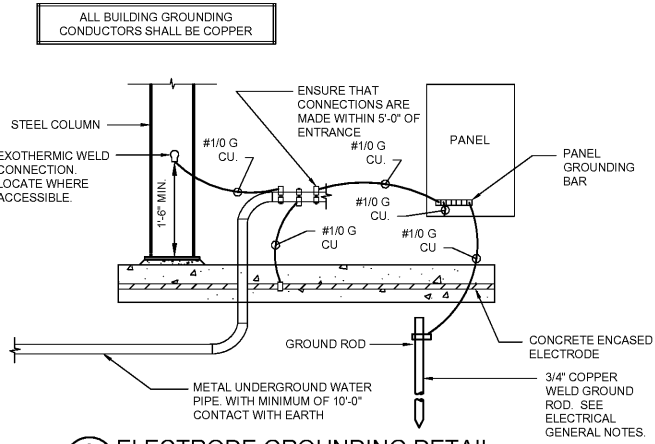
5 GROUND MOUNT DETAIL  
E-401 SCALE: N.T.S.



3 POLE BASE DETAIL  
E-401 NO SCALE



1 POWER RISER DIAGRAM  
E-401 SCALE: NONE



2 ELECTRODE GROUNDING DETAIL  
E-401 SCALE: NOT TO SCALE



CITY OF NORTH AUGUSTA, SC  
100 GEORGIA AVENUE, NORTH AUGUSTA, SC 29841  
PROJECT NAME  
**NORTH AUGUSTA  
FIRE STATION 1 RELOCATION**  
PROJECT LOCATION:  
311 W. MARTINTOWN ROAD, NORTH AUGUSTA, SC 29841



REV	DATE	BY	DESCRIPTION
0	10/08/20	HJW	ISSUED FOR PERMIT

PROJECT NO. 3057.2003  
DRAWN BY: JAP  
CHECKED BY: HJW  
DATE: 10/08/2020

SHEET TITLE:  
**ELECTRICAL  
SCHEDULES AND  
DETAILS**

SCALE: AS NOTED  
DRAWING NO. **E-401** REV: 0



This document is the property of Johnson, Laschobar & Associates, P.C. The unauthorized reproduction, copying or otherwise use of this document is strictly prohibited and any infringement thereupon may be subject to legal action.