

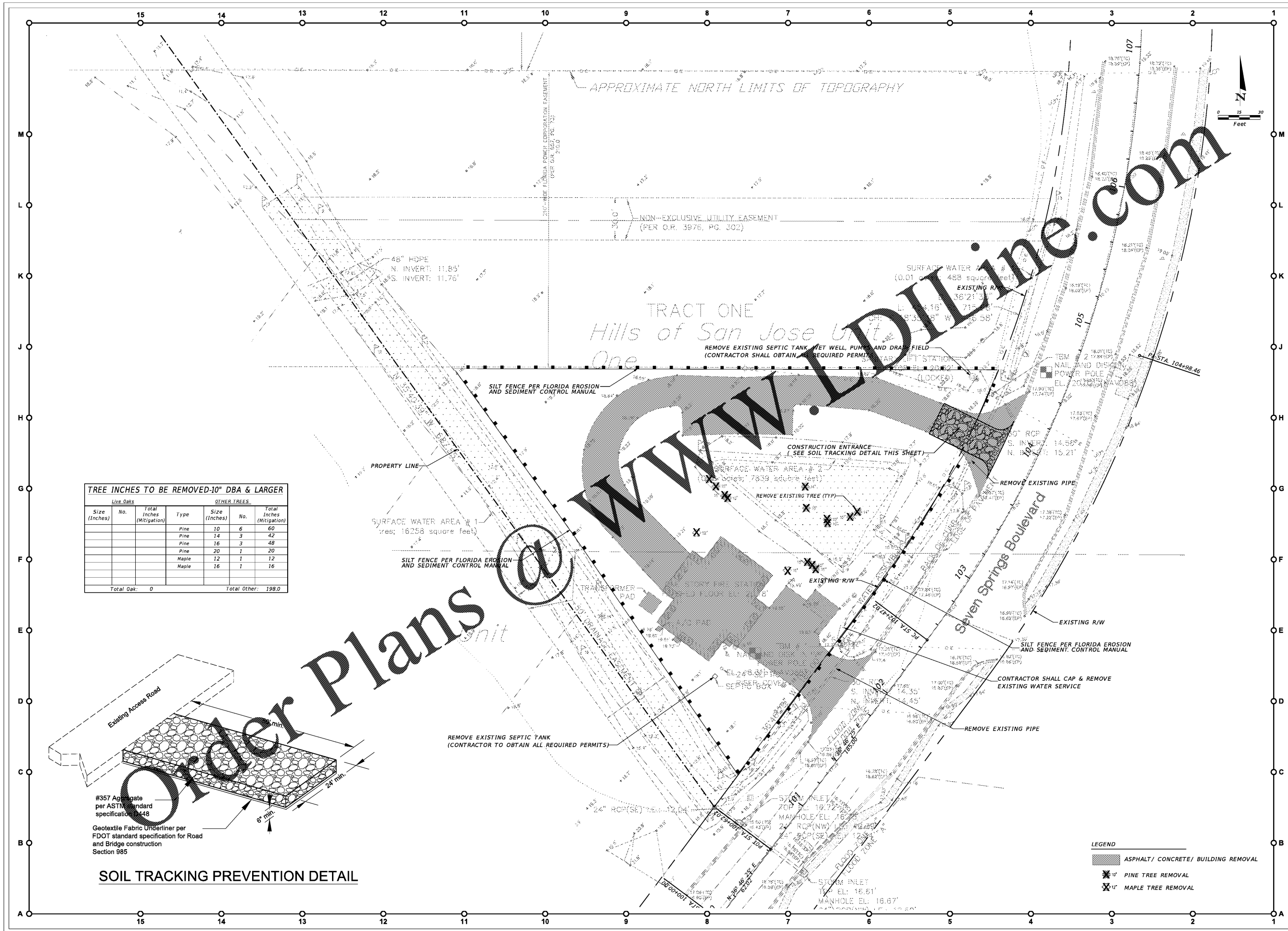
THIS DESIGN AND DRAWING IS THE PROPERTY OF FLEISCHMAN-GARCIA, INC. NO PART OF THIS DESIGN OR DRAWING IS TO BE REPRODUCED, COPIED, OR TRANSMITTED IN ANY FORM OR BY ANY MEANS, WITHOUT THE WRITTEN PERMISSION OF FLEISCHMAN-GARCIA, INC.

FGA PROJECT NUMBER
19039

ISSUE DATE
05-25-20

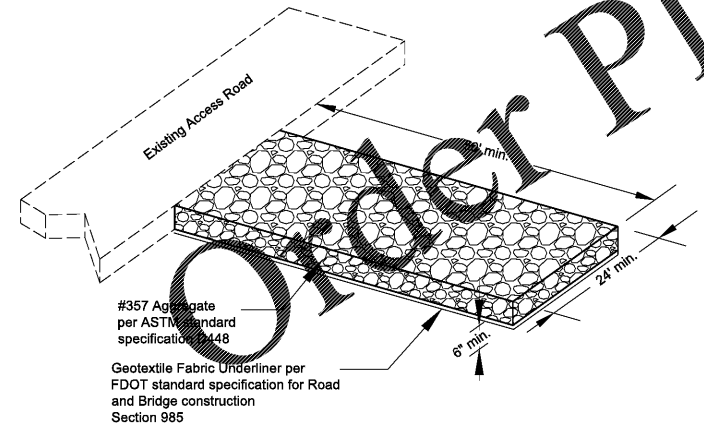
DEMOLITION PLAN

SHEET NUMBER
C2.0



TREE INCHES TO BE REMOVED-10" DBA & LARGER

Live Oaks			OTHER TREES		
Size (Inches)	No.	Total Inches (Mitigation)	Type	Size (Inches)	Total Inches (Mitigation)
			Pine	10	60
			Pine	14	42
			Pine	16	48
			Pine	20	20
			Maple	12	12
			Maple	16	16
Total Oak:		0	Total Other:		198.0



LEGEND

- ASPHALT / CONCRETE / BUILDING REMOVAL
- PINE TREE REMOVAL
- MAPLE TREE REMOVAL