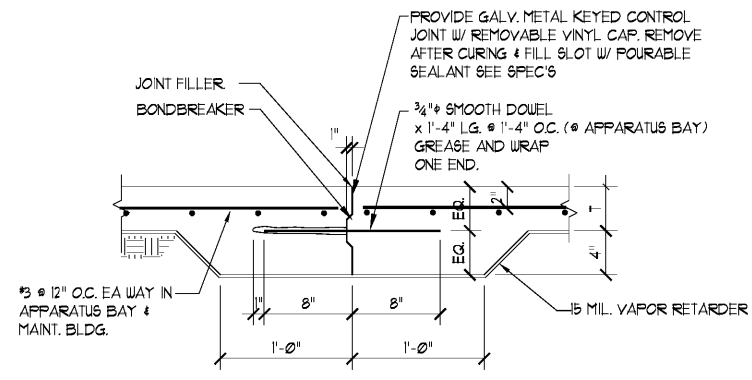


- NOTES:
- CUT SLAB AS SOON AS AGGREGATE DOES NOT DISLODGE (MUST BE WITHIN SAME DAY AS CONCRETE PLACEMENT.)
 - PLACE REINFORCING 1/3 SLAB DEPTH FOR SLABS GREATER THAN 5" THICK, AND 1/2" CLEAR FOR SLABS 5" THICK OR LESS.
 - HAND TOOL JOINT TO FACE OF WALL WHERE SAWCUT DOES NOT REACH.

CONTRACTION JOINT

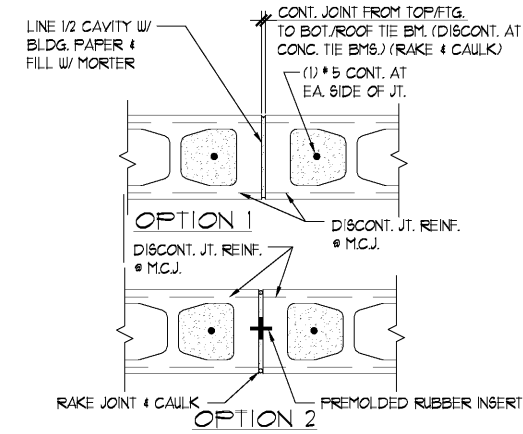
* PROVIDE #3 @ 12" O.C. EA WAY IN APPARATUS ROOM.



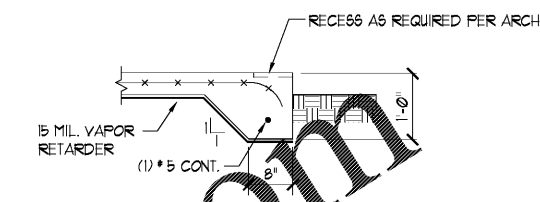
CONSTRUCTION JOINT

SCALE: 1/2" = 1'-0"

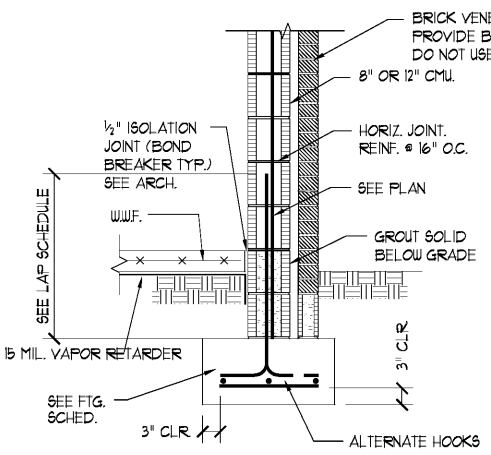
TO BE USED ONLY AT "C.J." LOCATIONS SHOWN ON PLAN BETWEEN SEPARATE POURS.



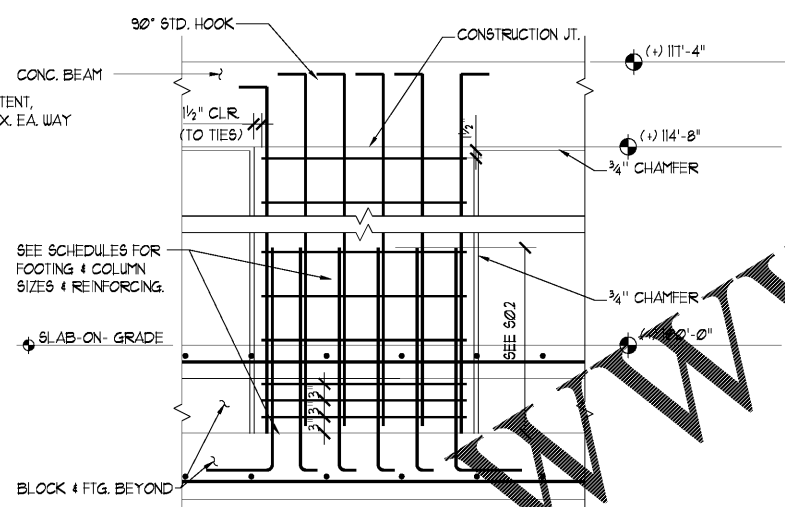
MASONRY CONTROL JOINT



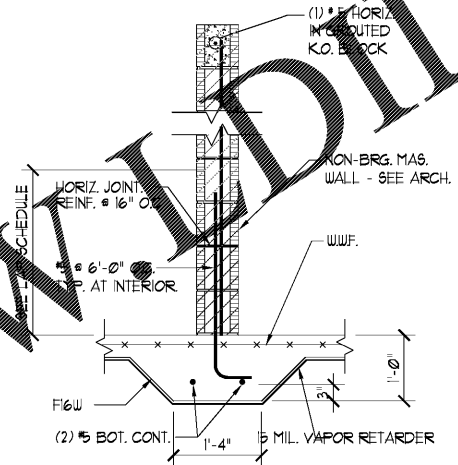
THICKENED SLAB EDGE



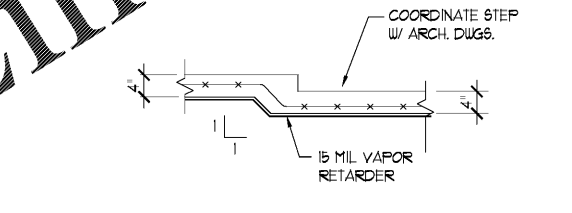
WALL FOOTING



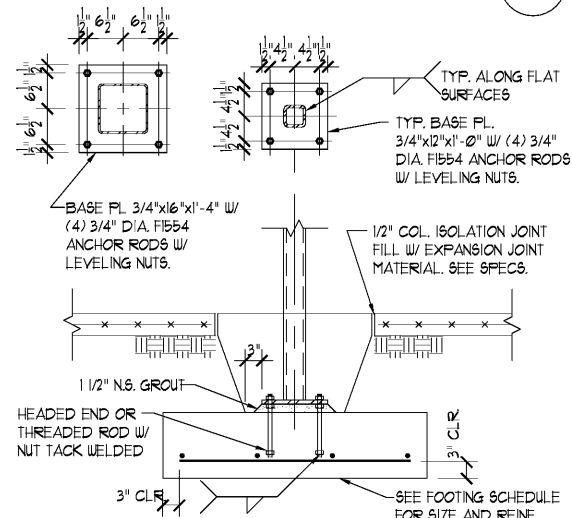
APPARATUS BAY CONCRETE COLUMN DETAIL



NON-LOAD BEARING WALL (INTERIOR)

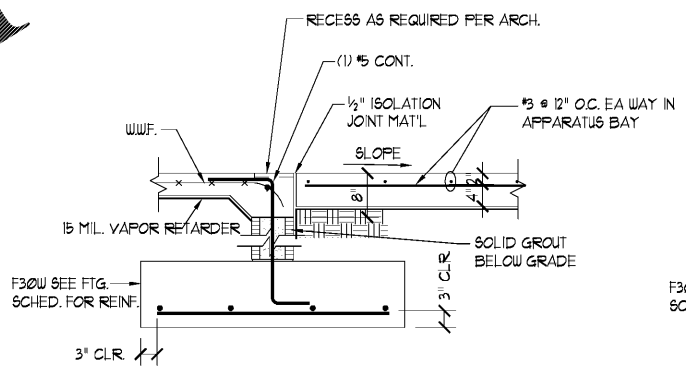


RECESS SLAB

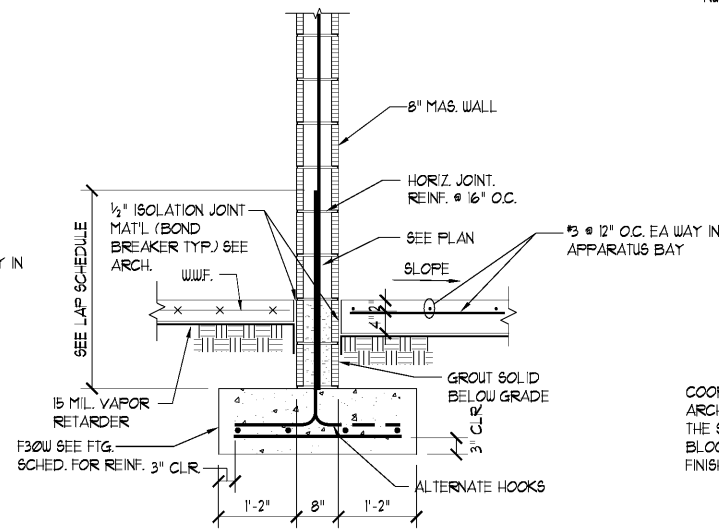


STEPPED FOOTING

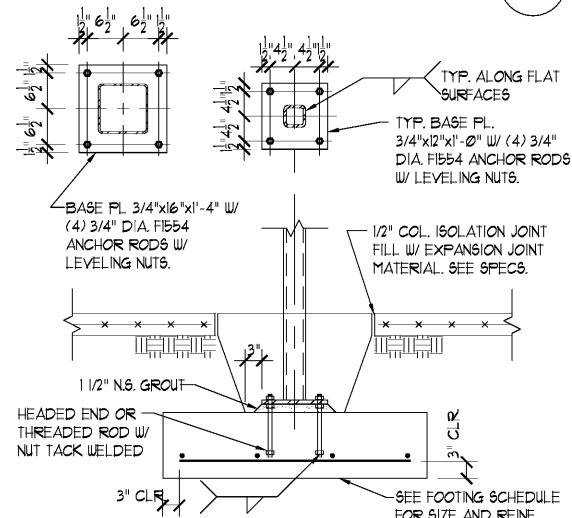
NOTE: USE ONLY WHERE REQ'D. TO MAINTAIN 12" TOP COVERAGE.



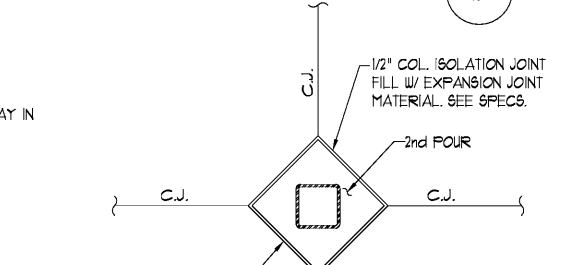
SLAB EDGE DETAIL



WALL FOOTING



COLUMN FOOTING

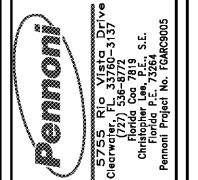


COL. ISOLATION JOINT

COORDINATE SIZE OF 2nd FOUR W/ ARCH SO IT DOES NOT EXCEED THE SIZE OF THE ARCHITECTURAL BLOCKOUTS @ CRITICAL FLOOR FINISH AREAS

FOUNDATION DETAILS

S2.1



FleischmanGarcia

REGISTERED PROFESSIONAL ENGINEERS

FLORIDA LICENSE NO. 12584

FLORIDA LICENSE NO. 12584

FLORIDA LICENSE NO. 12584

FLORIDA LICENSE NO. 12584

FLORIDA LICENSE NO. 12584

Pasco County Fire & Rescue Station No. 17

New Port Richey, Florida

THIS DESIGN AND DRAWING IS THE SOLE PROPERTY OF FLEISCHMAN-GARCIA AND SHALL NOT BE REPRODUCED, COPIED, OR TRANSMITTED IN ANY FORM OR BY ANY MEANS WITHOUT THE WRITTEN PERMISSION OF FLEISCHMAN-GARCIA.

FGA PROJECT NUMBER 19039

ISSUE DATE 05-25-20

SHEET NUMBER S2.1