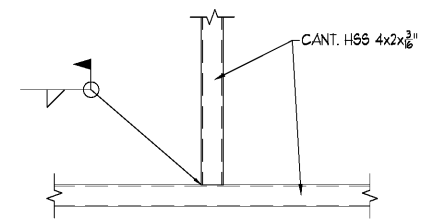
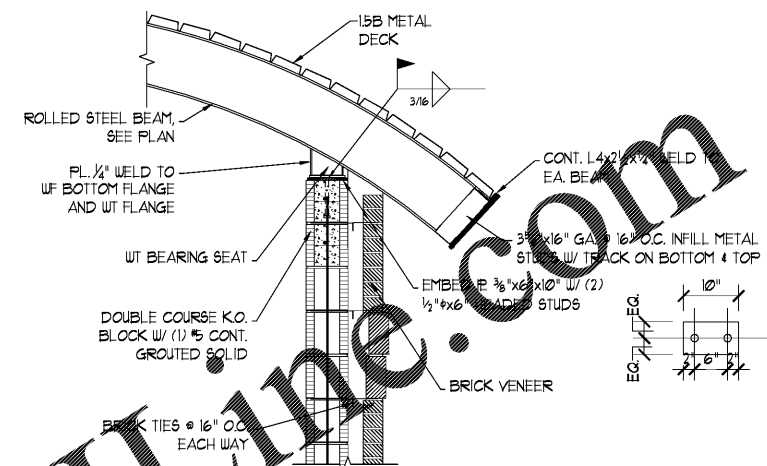


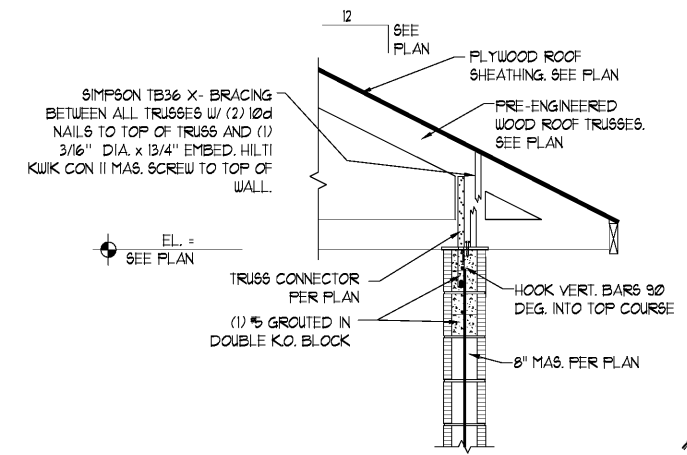
**DECK BEARING** ①



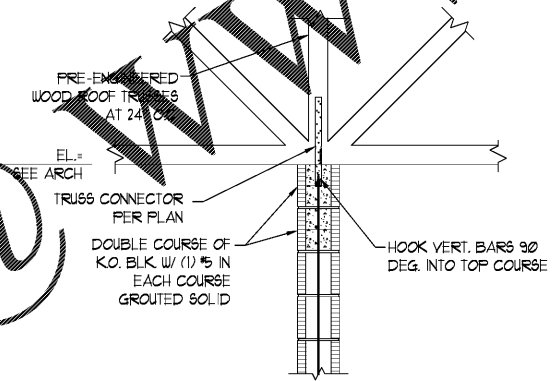
**HSS TO HSS CONNECTION** ②



**BEAM BEARING** ③



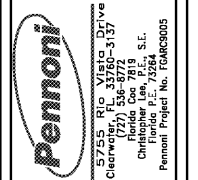
**TRUSS BEARING** ④



**TRUSS BEARING** ⑤

Order Plans @

WWW.LDILINE.COM



**FleischmanGarcia**  
 ARCHITECTS • ENGINEERS • INTERIORS DESIGNERS  
 3501 PARK AVENUE, SUITE 500  
 PASADENA, CALIFORNIA 91107  
 PHONE (714) 798-8800 FAX (714) 798-8806  
 REGISTRATION NUMBER: AA 000227

**Pasco County  
 Fire & Rescue Station  
 No. 17  
 New Port Richey, Florida**

THIS DESIGN AND DRAWING IS THE SOLE PROPERTY OF FLEISCHMANGARCIA AND SHALL BE REPRODUCED WITHOUT WRITTEN PERMISSION FROM FLEISCHMANGARCIA.  
 VERIFY TO THE BEST OF YOUR KNOWLEDGE THAT ALL DRAWINGS CORRECTLY REFLECT RELEVANT BUILDING CODES.

FGA PROJECT NUMBER  
**19039**

ISSUE DATE  
**05-25-20**

SHEET NUMBER  
**S3.3**

FRAMING DETAILS

S3.3  
 3/4" x 1/4"