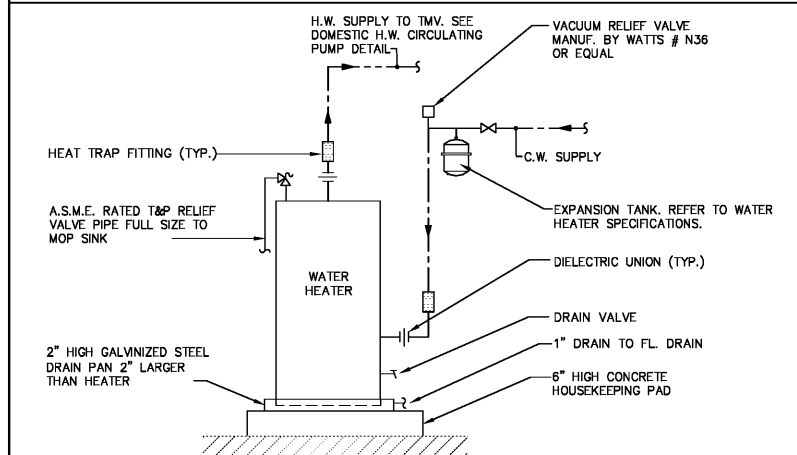
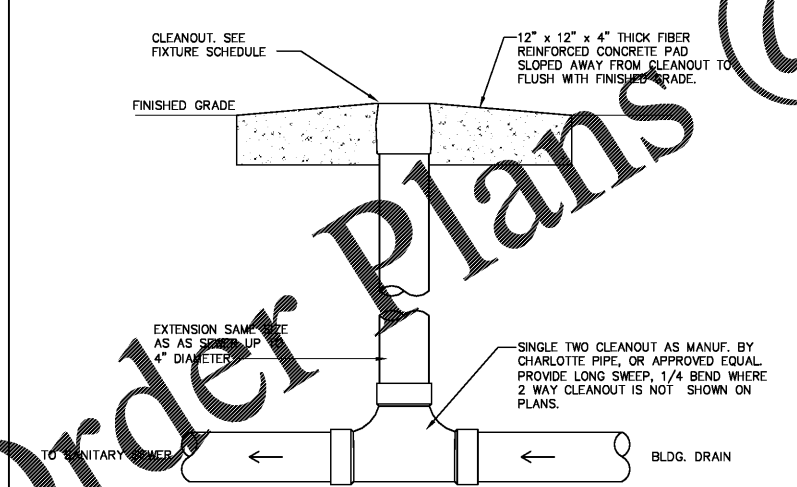


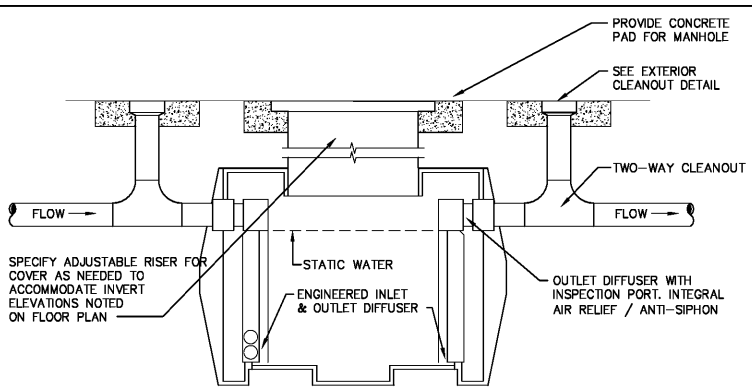
6 DOMESTIC HOT WATER CIRCULATING PUMP DETAIL
SCALE: NONE



7 WATER HEATER PIPING DIAGRAM
SCALE: NONE



8 EXTERIOR CLEANOUT DETAIL
SCALE: NONE

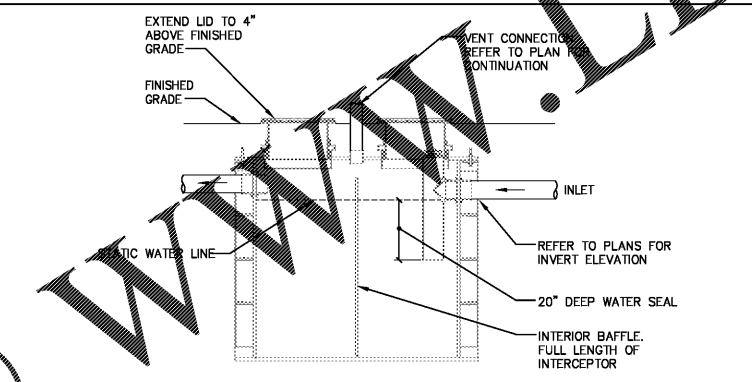


NOTES:
CONTRACTOR SHALL FIELD VERIFY INVERT ELEVATION OF DRAIN LINES PRIOR TO ORDERING OR CONSTRUCTING THE GREASE INTERCEPTOR.

BASIS OF DESIGN: POLYETHYLENE TANK EQUAL TO SCHIER PRODUCTS MODEL GB-50, SEAMLESS, ROTATIONALLY-MOLDED HIGH DENSITY POLYETHYLENE, MINIMUM 1/2" UNIFORM WALL THICKNESS, FURNISHED FOR BELOW GRADE INSTALLATION, ACCORDANCE TO ASME A112.14.3 (TYPE C), FIELD ADJUSTABLE RISER SYSTEM, BUILT-IN FLOW CONTROL, BUILT-IN TEST CAPS, COVER SHALL PROVIDE WATER/GAS TIGHT SEAL AND HIGHWAY RATED COMPOSITE COVER. 50 GPM FLOW RATE, 249 GREASE CAPACITY, 12.5 GAL. SOLID CAPACITY, 52 GAL. LIQUID CAPACITY.

OPTIONS TO INCLUDE:
TELEGLIDE FIELD ADJUSTABLE RISERS FOR EXTENDING COVER TO GRADE, 3" PLAIN END PIPE CONNECTIONS (NO-HUB).
CONTRACTOR SHALL PROVIDE SOIL TESTS TO DETERMINE IF HIGH WATER ANCHOR KIT IS REQUIRED FOR INSTALLATION.

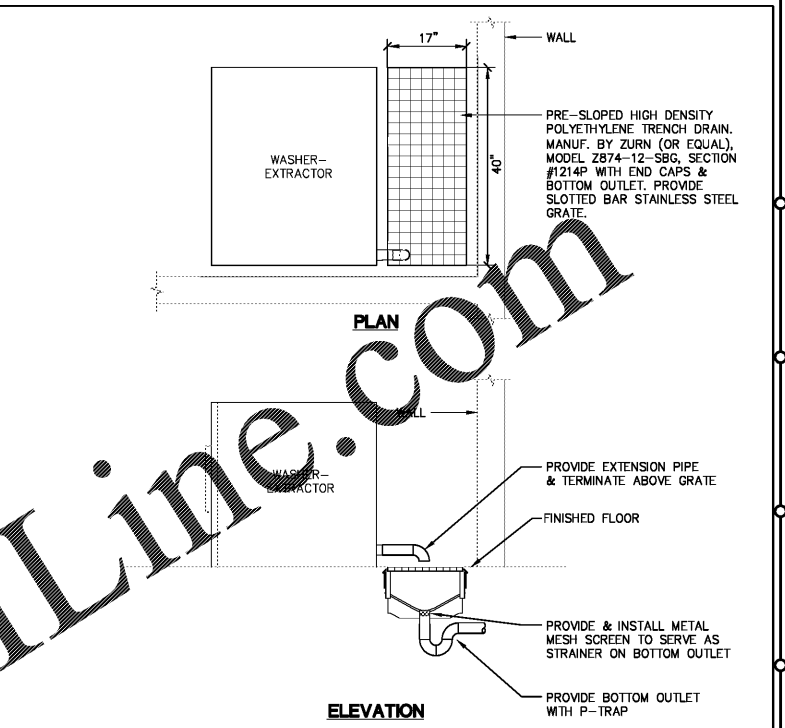
4 GREASE INTERCEPTOR DETAIL
SCALE: NONE



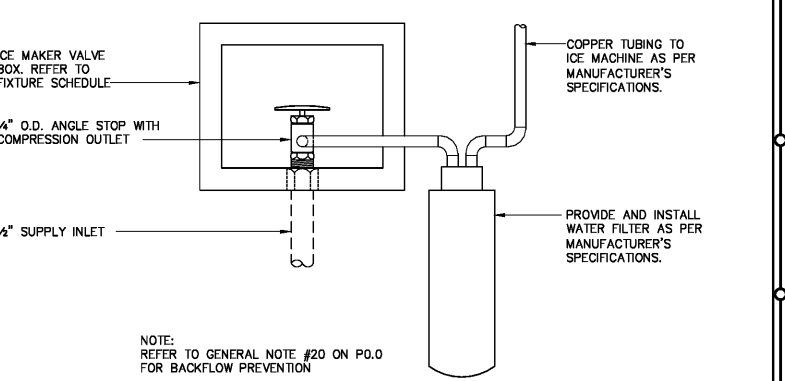
OIL & SAND INTERCEPTOR SHALL BE EQUAL TO STRIEM OIL SEPARATOR MODEL OS-750: LIFETIME GUARANTEED AND MADE IN USA OF HIGH DENSITY POLYETHYLENE WITH MINIMUM 1" UNIFORM WALL THICKNESS. SEPARATOR SHALL BE FURNISHED FOR BELOW GRADE INSTALLATION WITH FIELD ADJUSTABLE RISER SYSTEM. SEPARATOR FLOW RATE SHALL BE 314 GPM. SEPARATOR OIL CAPACITY SHALL BE 401 GALLONS. SAND CAPACITY SHALL BE 307 GALLONS. COVER SHALL PROVIDE WATER/GAS-TIGHT SEAL AND HAVE A MAXIMUM 16,000 LBS LOAD CAPACITY.

- SPECIFICATIONS**
1. MAX FLOW RATE: 314 GPM
 2. LIQUID CAPACITY: 750 GALLONS (100 CU. FT.)
 3. OIL CAPACITY: 401 GALLONS
 4. SOLIDS/SEDIMENT CAPACITY: 307 GALLONS
 5. UNIT WEIGHT W/STD. COVERS: 1200 LBS.
 6. HIGHWAY TRAFFIC LOAD RATED, BOLTED, GAS/WATER TIGHT COMPOSITE COVERS. (16,000 LBS.)
- NOTES:**
1. MAXIMUM OPERATING TEMPERATURE 140° CONTINUOUS.
 1. 1" THICK HIGH DENSITY POLYETHYLENE WALLS.
 - UNIT SUPPLIED WITH BUILT-IN ADAPTER(S) FOR UP TO 6" OF ADJUSTABILITY. ADDITIONAL RISER(S) AVAILABLE FOR DEEPER BURIAL DEPTH.
 - FOR BURIED APPLICATIONS. 4. LIFTING LUG SET INCLUDED FOR EASY INSTALL.

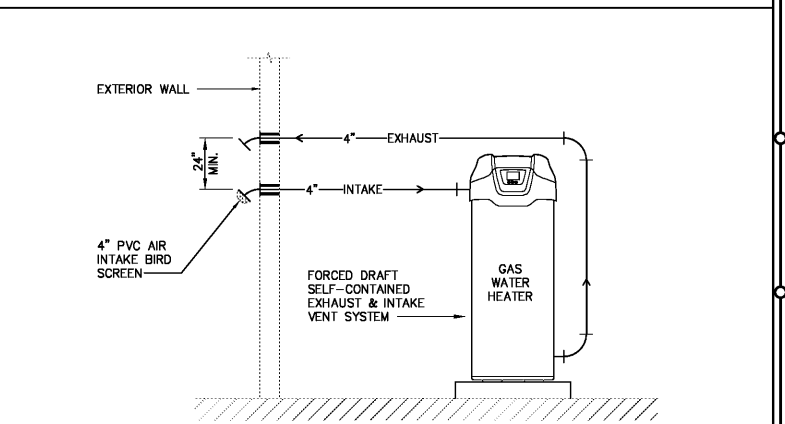
5 OIL & SAND INTERCEPTOR DETAIL
SCALE: NONE



1 RECESSED TRENCH DRAIN DETAIL
SCALE: NONE



2 ICE MAKER VALVE BOX DETAIL
NO SCALE



3 EXHAUST AND AIR INTAKE VENT DETAIL
SCALE: NONE

PLUMBING DETAILS

A1
WTS

WWW.LDLine.com

Order Plans @

ENGINEERING MATRIX, INC.
CONSULTING ENGINEERS
2880 SCHERER DRIVE, SUITE 640
ST. PETERSBURG, FLORIDA, 33716
(727) 321-4668 FAX (727) 321-4666 EMAIL: em@matrixinc.com
CERT. OF AUTHORIZATION NO. 4898 P.E. JOB NO. 19-0960
© 2019 Engineering Matrix, Inc. DRAWN BY: SCD CHECKED BY: JSW

FleischmanGarcia
REGISTERED PROFESSIONAL ENGINEER
FLORIDA LICENSE NO. 12573
REGISTERED PROFESSIONAL ARCHITECT
FLORIDA LICENSE NO. 12573
3510 W. PARK AVENUE, SUITE 300
TAMPA, FLORIDA 33609
PHONE (813) 282-2999
FAX (813) 282-2996
REGISTRATION NUMBER: AA 000273

**Pasco County
Fire & Rescue Station
No. 17**
New Port Richey, Florida

THIS DESIGN AND DRAWING IS THE SOLE PROPERTY OF FLEISCHMAN-GARCIA AND SHALL BE REPRODUCED WITH THE WRITTEN CONSENT OF FLEISCHMAN-GARCIA.
CONTRACT NO. 19-0960. THE BEST OF KNOWLEDGE, SKILL AND CARE HAS BEEN USED IN THE PREPARATION OF THIS DRAWING. ALL NECESSARY BUILDING CODES ARE REFERRED TO BY THIS DRAWING.

FGA PROJECT NUMBER
19039

ISSUE DATE
05-25-20

REVISIONS
DATE: _____
DATE: _____
DATE: _____

SHEET NUMBER
P4.1

05-21-20 Sheet: D:\dwg\19039\19039-FGA-CFA-Fire Station 17\Fire Station 17-PLUMBING-Detailed.dwg