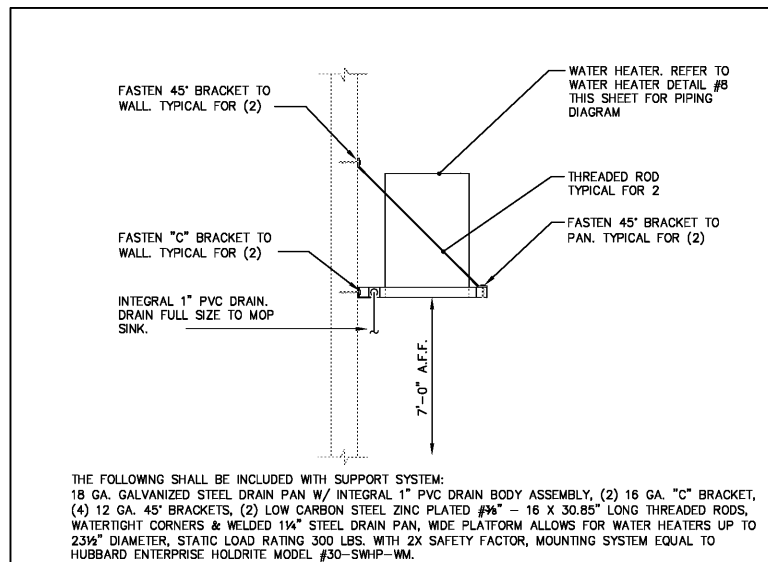
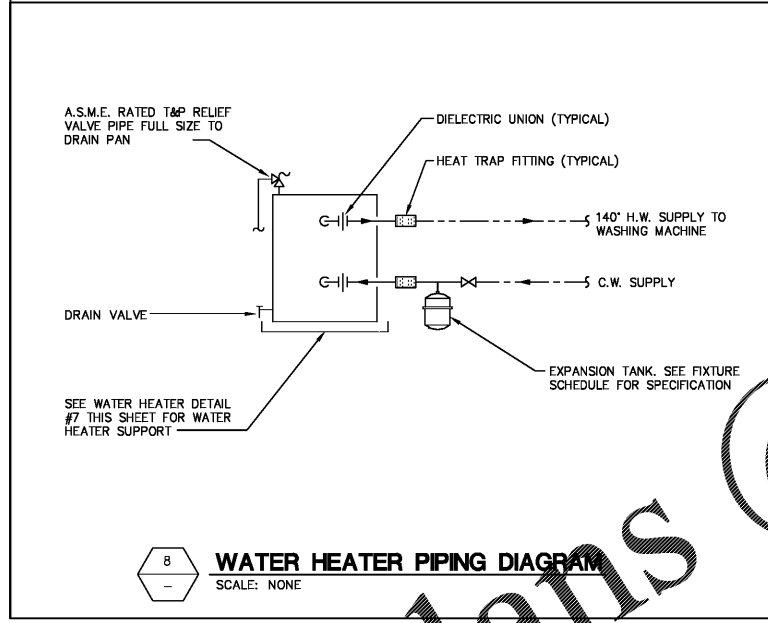


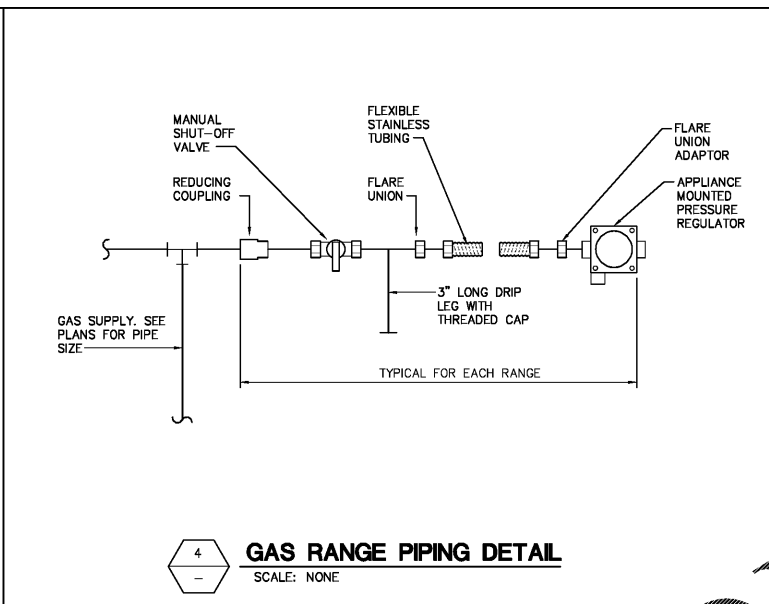
Order Plans @ www.dline.com



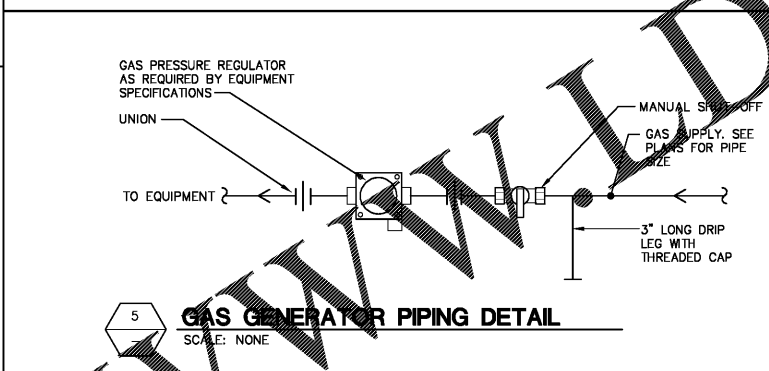
7 WATER HEATER SUPPORT DETAIL
SCALE: NONE



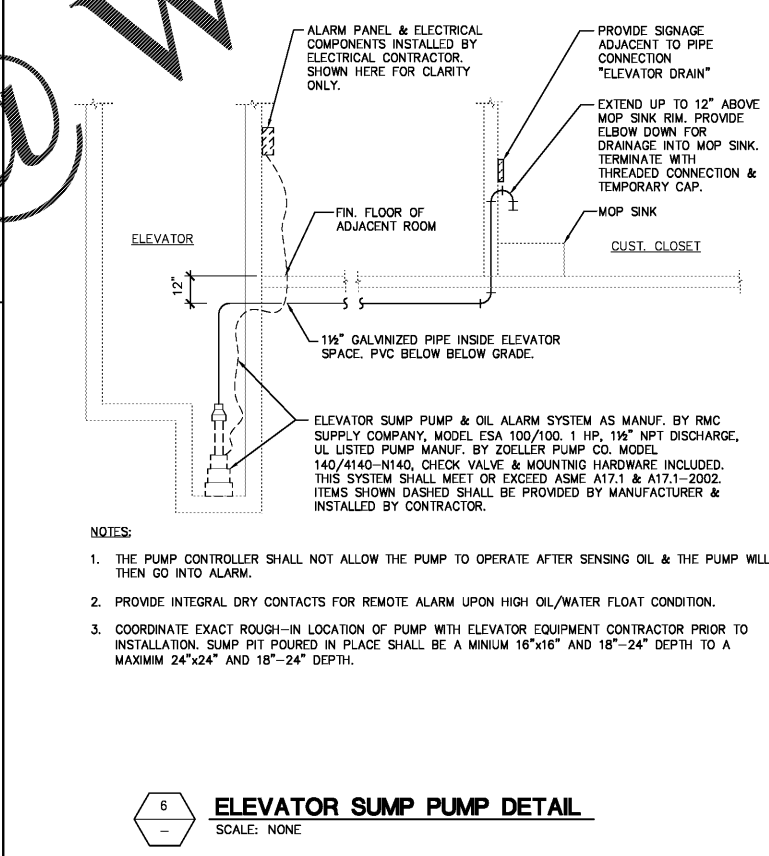
8 WATER HEATER PIPING DIAGRAM
SCALE: NONE



4 GAS RANGE PIPING DETAIL
SCALE: NONE

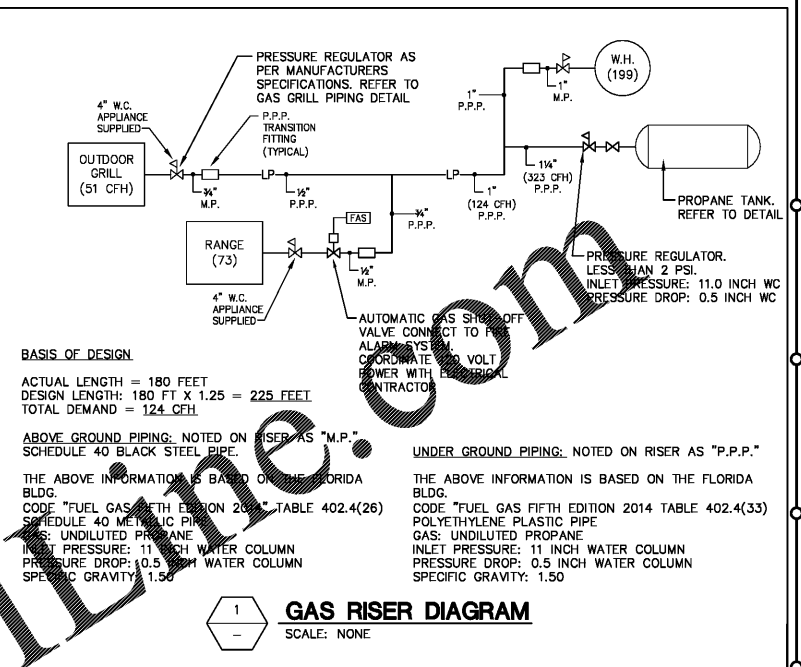


5 GAS GENERATOR PIPING DETAIL
SCALE: NONE



6 ELEVATOR SUMP PUMP DETAIL
SCALE: NONE

- NOTES:**
1. THE PUMP CONTROLLER SHALL NOT ALLOW THE PUMP TO OPERATE AFTER SENSING OIL & THE PUMP WILL THEN GO INTO ALARM.
 2. PROVIDE INTEGRAL DRY CONTACTS FOR REMOTE ALARM UPON HIGH OIL/WATER FLOAT CONDITION.
 3. COORDINATE EXACT ROUGH-IN LOCATION OF PUMP WITH ELEVATOR EQUIPMENT CONTRACTOR PRIOR TO INSTALLATION. SUMP PIT POURED IN PLACE SHALL BE A MINIMUM 16"x16" AND 18"-24" DEPTH TO A MAXIMUM 24"x24" AND 18"-24" DEPTH.



1 GAS RISER DIAGRAM
SCALE: NONE

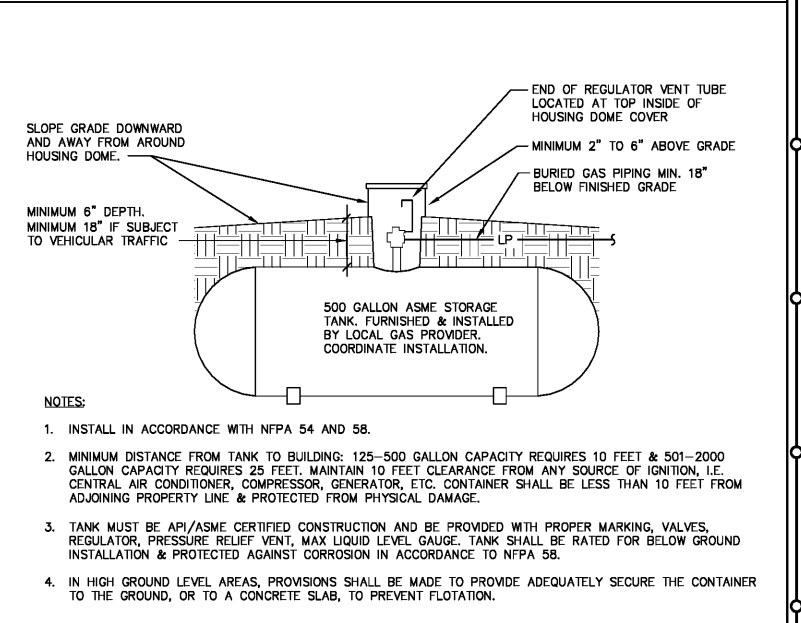
BASIS OF DESIGN:
ACTUAL LENGTH = 180 FEET
DESIGN LENGTH: 180 FT X 1.25 = 225 FEET
TOTAL DEMAND = 124 CFH

ABOVE GROUND PIPING: NOTED ON RISER AS "M.P." SCHEDULE 40 BLACK STEEL PIPE.

THE ABOVE INFORMATION IS BASED ON THE FLORIDA BLDG. CODE "FUEL GAS FIFTH EDITION 2014" TABLE 402.4(26) SCHEDULE 40 METALLIC PIPE:
GAS: UNDILUTED PROPANE
INLET PRESSURE: 11 INCH WATER COLUMN
PRESSURE DROP: 0.5 INCH WATER COLUMN
SPECIFIC GRAVITY: 1.50

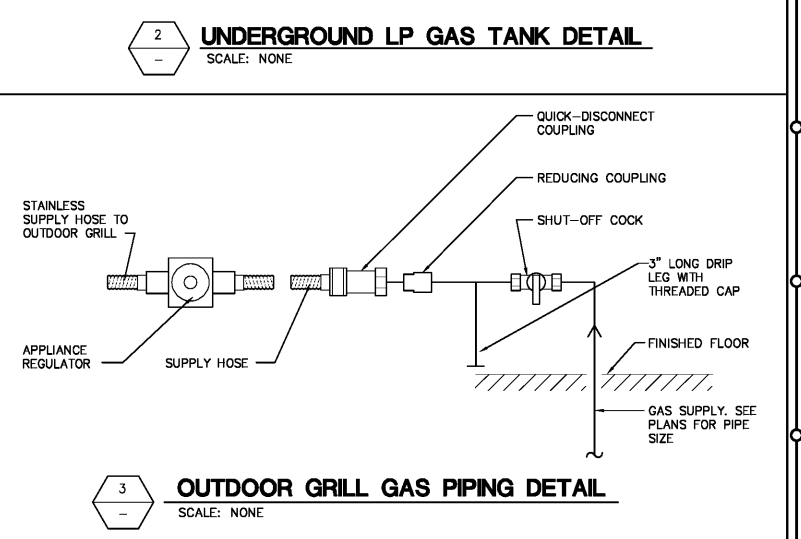
UNDER GROUND PIPING: NOTED ON RISER AS "P.P.P."

THE ABOVE INFORMATION IS BASED ON THE FLORIDA BLDG. CODE "FUEL GAS FIFTH EDITION 2014" TABLE 402.4(33) POLYETHYLENE PLASTIC PIPE:
GAS: UNDILUTED PROPANE
INLET PRESSURE: 11 INCH WATER COLUMN
PRESSURE DROP: 0.5 INCH WATER COLUMN
SPECIFIC GRAVITY: 1.50



2 UNDERGROUND LP GAS TANK DETAIL
SCALE: NONE

- NOTES:**
1. INSTALL IN ACCORDANCE WITH NFPA 54 AND 58.
 2. MINIMUM DISTANCE FROM TANK TO BUILDING: 125-500 GALLON CAPACITY REQUIRES 10 FEET & 501-2000 GALLON CAPACITY REQUIRES 25 FEET. MAINTAIN 10 FEET CLEARANCE FROM ANY SOURCE OF IGNITION, I.E. CENTRAL AIR CONDITIONER, COMPRESSOR, GENERATOR, ETC. CONTAINER SHALL BE LESS THAN 10 FEET FROM ADJOINING PROPERTY LINE & PROTECTED FROM PHYSICAL DAMAGE.
 3. TANK MUST BE API/ASME CERTIFIED CONSTRUCTION AND BE PROVIDED WITH PROPER MARKING, VALVES, REGULATOR, PRESSURE RELIEF VENT, MAX LIQUID LEVEL GAUGE. TANK SHALL BE RATED FOR BELOW GROUND INSTALLATION & PROTECTED AGAINST CORROSION IN ACCORDANCE TO NFPA 58.
 4. IN HIGH GROUND LEVEL AREAS, PROVISIONS SHALL BE MADE TO PROVIDE ADEQUATELY SECURE THE CONTAINER TO THE GROUND, OR TO A CONCRETE SLAB, TO PREVENT FLOTATION.



3 OUTDOOR GRILL GAS PIPING DETAIL
SCALE: NONE

ENGINEERING MATRIX, INC.
CONSULTING ENGINEERS
2880 SCRIBNER DRIVE, SUITE 640
ST. PETERSBURG, FLORIDA 33716
(727) 321-4668 FAX (727) 321-8062 EMAIL: enr@matrixinc.com
CERT. OF AUTHORIZATION NO. 4898
© 2019 Engineering Matrix, Inc. DRAWN BY: SCD CHECKED BY: JSW

FleischmanGarcia
REGISTERED PROFESSIONAL ENGINEER
3511 WOOD PARK AVENUE, SUITE 100
TAMPA, FLORIDA 33613
PHONE (813) 942-8900
FAX (813) 942-8900
REGISTRATION NUMBER: AA 000272

**Pasco County
Fire & Rescue Station
No. 17**
New Port Richey, Florida

THIS DESIGN AND DRAWING IS THE SOLE PROPERTY OF FLEISCHMAN-GARCIA AND SHALL NOT BE REPRODUCED OR TRANSMITTED IN ANY FORM OR BY ANY MEANS WITHOUT THE WRITTEN PERMISSION OF FLEISCHMAN-GARCIA.

EXCEPT TO THE BEST OF MY KNOWLEDGE, I HAVE MADE NO INVESTIGATION OF THE RELEVANT BUILDING CODES.

FGA PROJECT NUMBER
19039

ISSUE DATE
05-25-20

REVISIONS
DATE: _____
DATE: _____
DATE: _____

SHEET NUMBER
P4.3