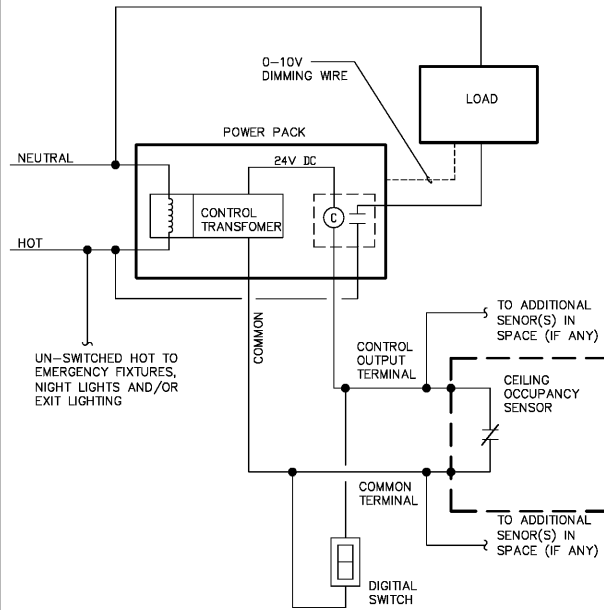
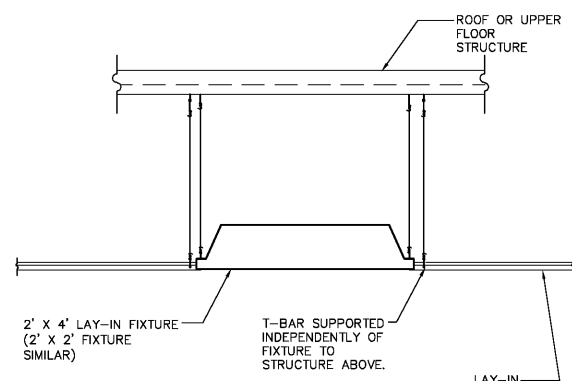
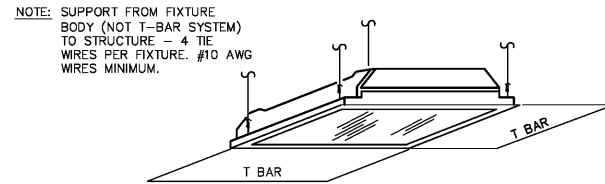


DESCRIPTION OF OPERATION

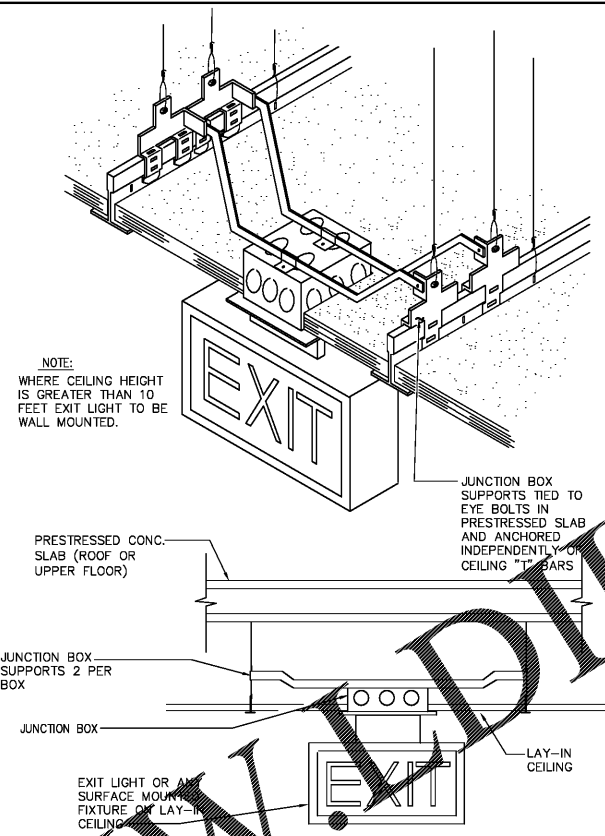
SYSTEM IS OPERATED BY INDIVIDUAL SPACE BY SPACE DUAL TECHNOLOGY OCCUPANCY SENSORS. UPON DETECTING MOTION, LIGHTS WILL TURN ON. WHEN MOTION CEASES TO BE DETECTED, LIGHTS WILL REMAIN ON FOR AN ADJUSTABLE PERIOD OF TIME (15 MIN) BEFORE TURNING OFF. A LOCAL SWITCH WILL ALLOW MANUAL ON OR OFF OPERATION.



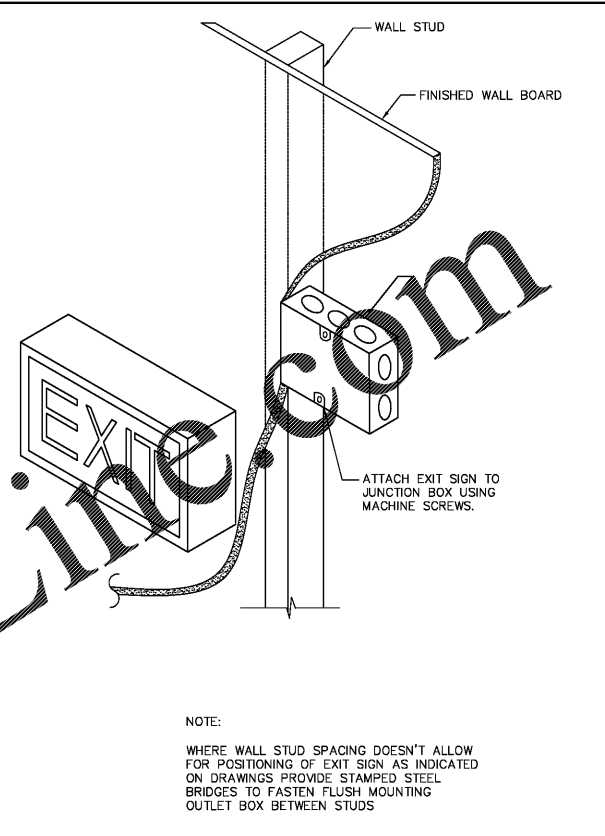
STAND-ALONE OCCUPANCY LIGHTING CONTROL WITH DIGITAL SWITCH
NO SCALE



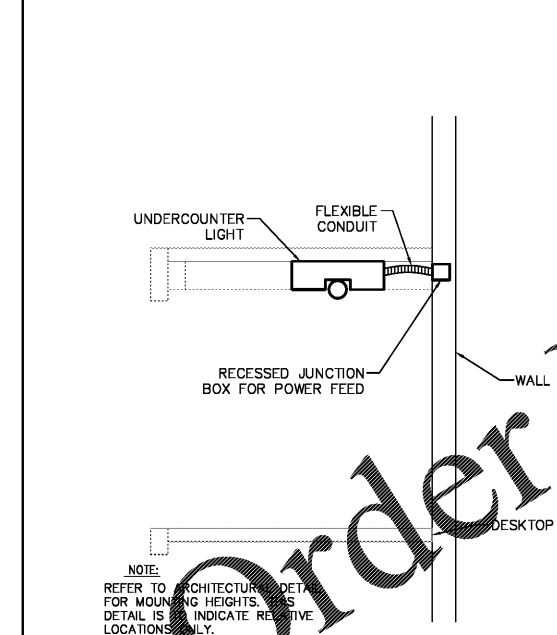
2' X 2' RECESSED LAY-IN FIXTURE DETAIL
NO SCALE



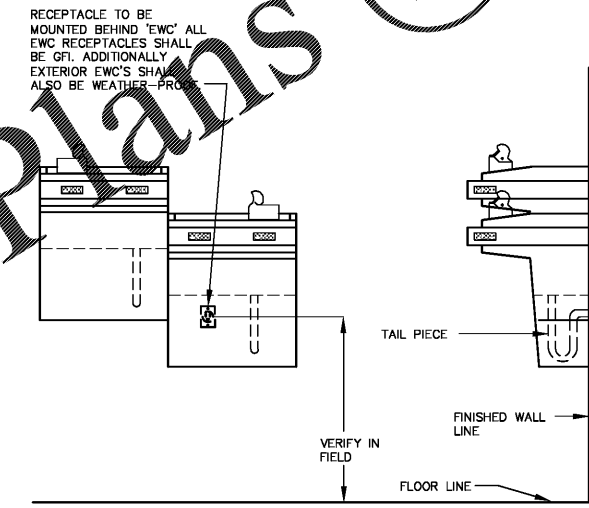
SURFACE MOUNTED FIXTURE ON LAY-IN CEILING
NO SCALE



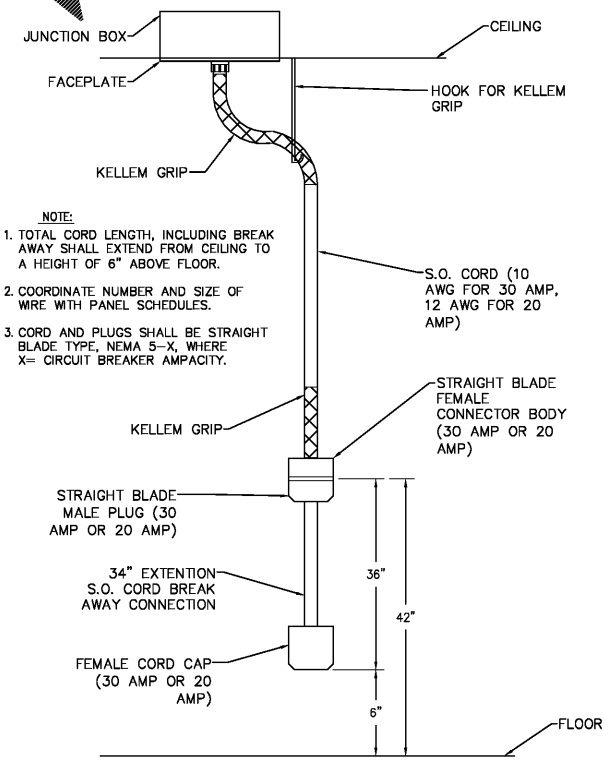
WALL MOUNTED EXIT FIXTURE
NO SCALE



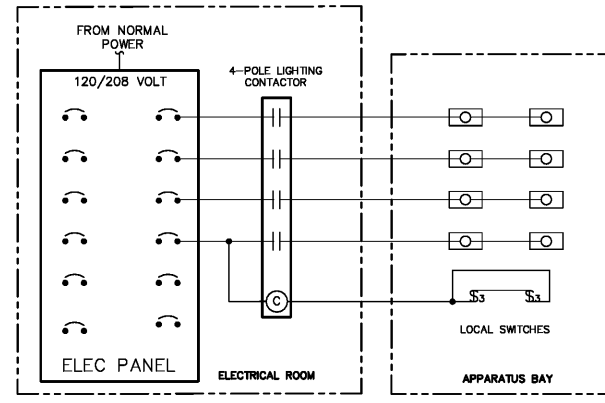
BUNKROOM TASK LIGHT DETAIL
N.T.S.



HI-LOW 'EWC' RECEPTACLE DETAIL
NO SCALE



TRUCK POWER DROP DETAIL
NO SCALE



APPARATUS BAY LIGHTING CONTROL DETAIL
NO SCALE

ENGINEERING MATRIX, INC.
CONSULTING ENGINEERS
2880 SCRIBNER DRIVE, SUITE 640
ST. PETERSBURG, FLORIDA 33716
(727) 372-4668 FAX (727) 372-4662 EMAIL: ematrix@matrixinc.com
CERT. OF AUTHORIZATION NO. 42898 EMI JOB NO. 19-0960
© 2019 Engineering Matrix, Inc. DRAWN BY: EM CHECKED BY: JSW

FleischmanGarcia
REGISTERED PROFESSIONAL ENGINEERS
3510 W. PARK AVENUE, SUITE 300
TAMPA, FLORIDA 33609
PHONE (813) 281-9600
FAX (813) 281-9606
REGISTRATION NUMBER: AA 000273

Pasco County Fire & Rescue Station No. 17
New Port Richey, Florida

THIS DRAWING AND ALL INFORMATION CONTAINED HEREIN ARE THE SOLE PROPERTY OF PASCO COUNTY. NO PART OF THIS WORK MAY BE REPRODUCED OR TRANSMITTED IN ANY FORM OR BY ANY MEANS, ELECTRONIC OR MECHANICAL, WITHOUT PERMISSION FROM FLEISCHMAN-GARCIA.
I CERTIFY TO THE BEST OF MY KNOWLEDGE AND BELIEF THAT THIS DRAWING COMPLIES WITH ALL APPLICABLE REGULATORY AND RELEVANT BUILDING CODES.

FGA PROJECT NUMBER
19039

ISSUE DATE
05-25-20

REVISIONS
DATE: _____
DATE: _____
DATE: _____

SHEET NUMBER
E5.4